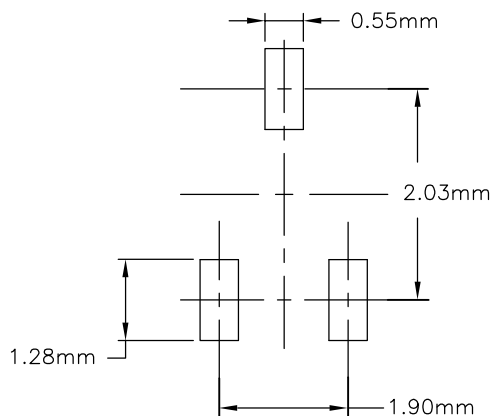
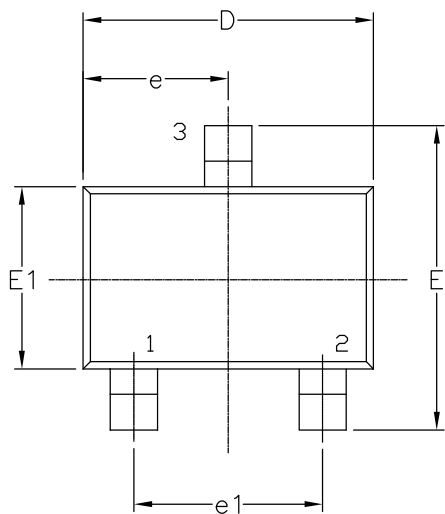


REVISION HISTORY			
REV.	DISCRIPTION	DATE	APP'D
A	DRAWING ORIGATION	12/5/13	AD

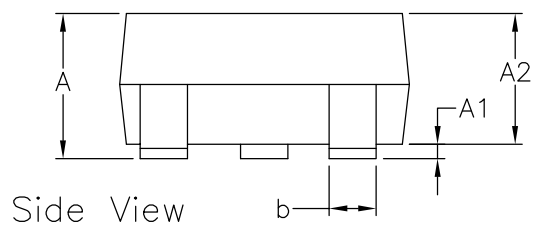
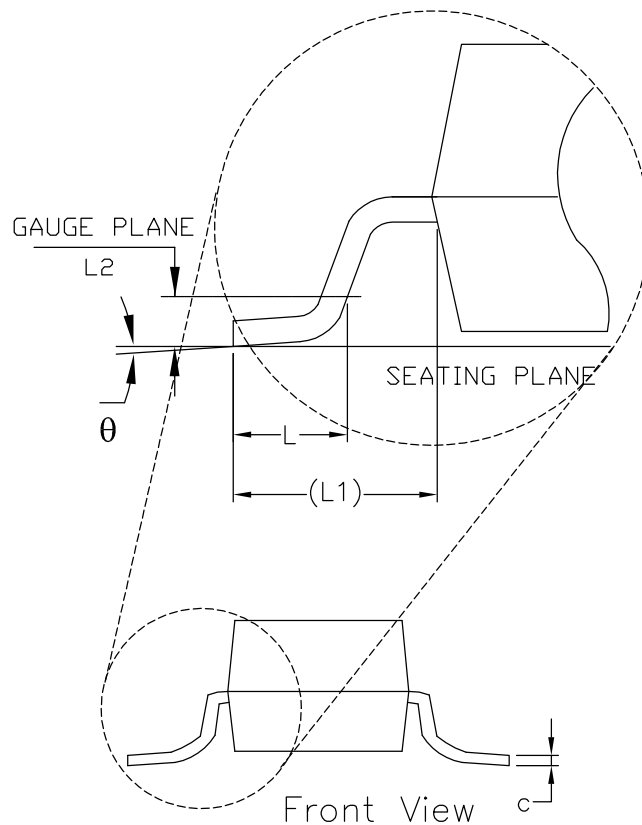
Top View




LAND PATTERN RECOMMENDATION

3 Pin SOT-23 JEDEC TO-236 Variation AB

SYMBOLS	DIMENSIONS IN MM (Control Unit)			DIMENSIONS IN INCH (Reference Unit)		
	MIN	NOM	MAX	MIN	NOM	MAX
A	0.89	—	1.12	0.035	—	0.044
A1	0.01	—	0.10	0.000	—	0.004
A2	0.88	0.95	1.02	0.035	0.037	0.040
b	0.30	—	0.50	0.012	—	0.020
c	0.08	—	0.20	0.003	—	0.008
D	2.80	2.90	3.04	0.110	0.114	0.120
E	2.10	—	2.64	0.083	—	0.104
E1	1.20	1.30	1.40	0.047	0.051	0.055
e	0.95 BSC			0.038 BSC		
e1	1.90 BSC			0.075 BSC		
L	0.40	0.50	0.60	0.016	0.020	0.024
L1	0.54 REF			0.021 REF		
L2	0.25 BSC			0.010 BSC		
q	0°	—	8°	0°	—	8°
N	3			3		



 A New Direction in Mixed-Signal	<b>EXAR CORPORATION</b>
	3 PIN SOT-23 PACKAGE OUTLINE
Packaging Approval: _____ By: AD      Date: 12/5/13	Drawing No: POD-0000031 Revision: A      Sheet: 1 OF 1