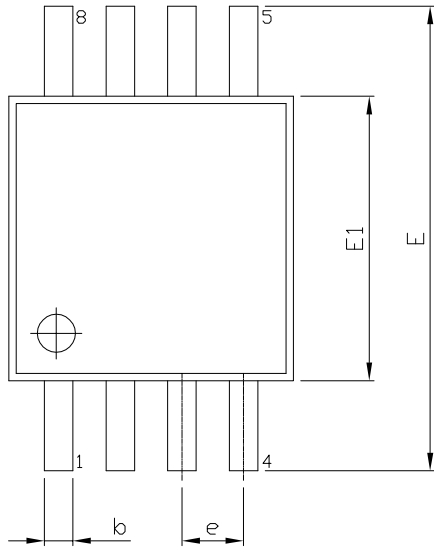
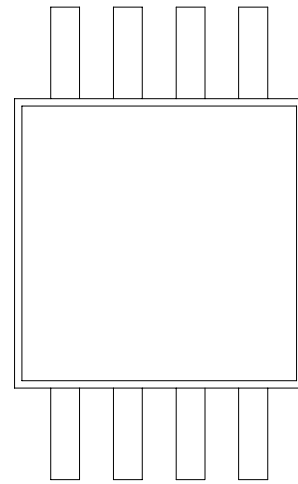


Revision History

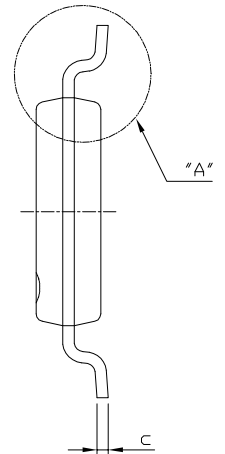
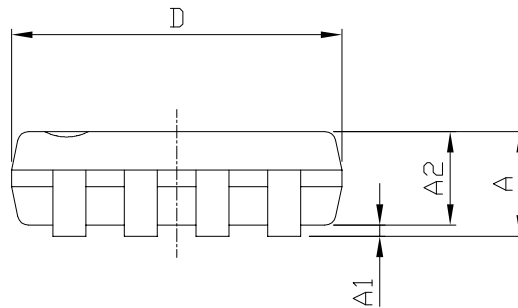
REV.	Description	Date	APP'D
B	CHANGE FORMAT TO MAXLINEAR	JULY/03/2018	ECN 1828-03 jh



**TOP VIEW**

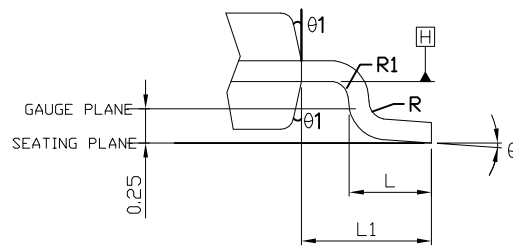


**BOTTOM VIEW**



DIM SYMBOL	MIN	NOM	MAX
A	-	-	1.10
A1	0.05	-	0.15
A2	0.75	0.85	0.95
b	0.22	-	0.38
c	0.08	-	0.23
D	3.00 BSC		
E	4.90 BSC		
E1	3.00 BSC		
e	0.65 BSC		
L	0.40	0.60	0.80
L1	0.95 REF		
$\theta$	0	-	8
$\theta 1$	0	-	15
R	0.07	-	-
R1	0.07	-	-

**TERMINAL DETAILS**



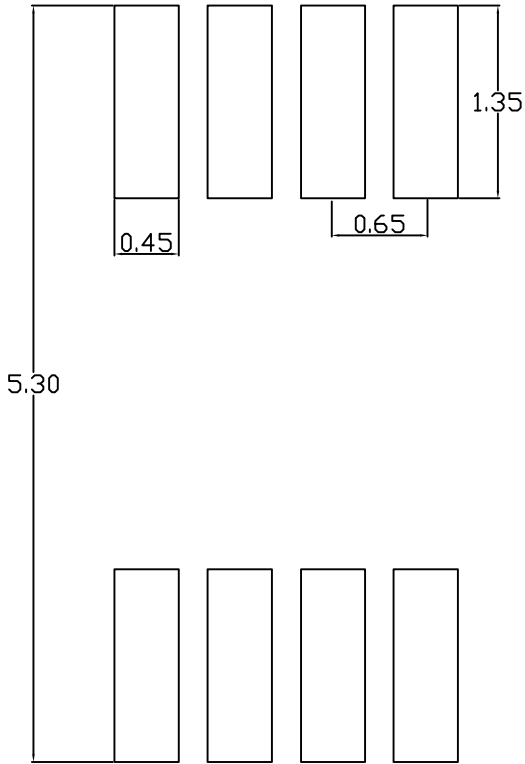
**DETAIL A**

**SIDE VIEW**

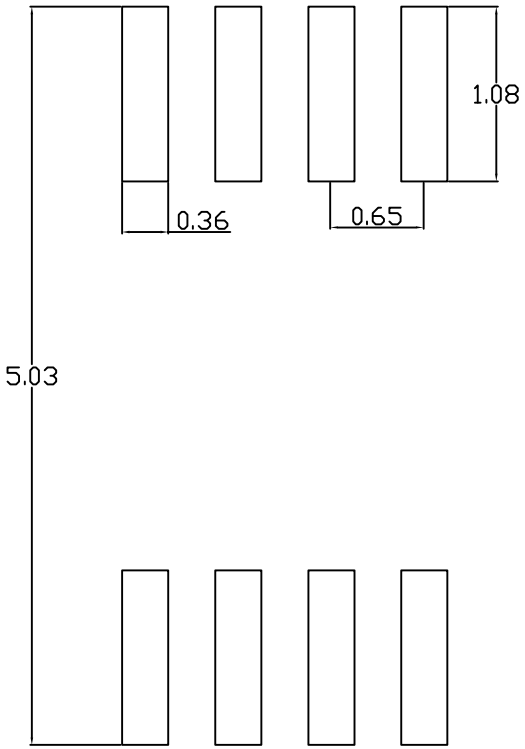
- ALL DIMENSIONS ARE IN MILLIMETERS, ANGLES ARE IN DEGREES.
- DIMENSIONS AND TOLERANCE PER JEDEC MO-187F.

	<b>MAXLINEAR CORPORATION</b>	
	8LD 3x3X1.1mm MSOP Package Outline Drawing	
Packaging Approval:	Drawing No.: POD-00000127	Sheet 1 OF 2
By: YG Eom      Date: JULY.03.2018	Revision: B	


Revision History			
REV.	Description	Date	APP'D
B	CHANGE FORMAT TO MAXLINEAR	JULY/03/2018	ECN 1828-03 jh



**TYPICAL RECOMMENDED LAND PATTERN**



**TYPICAL RECOMMENDED STENCIL**

	<b>MAXLINEAR CORPORATION</b>		
	8LD 3x3X1.1mm MSOP Package Outline Drawing		
Packaging Approval:		Drawing No.: POD-00000127	
By: YG Eom	Date: JULY.03.2018	Revision: B	Sheet 1 OF 2