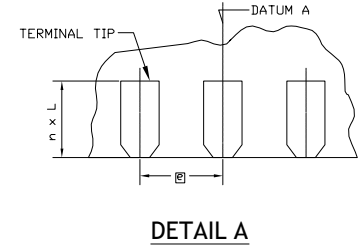
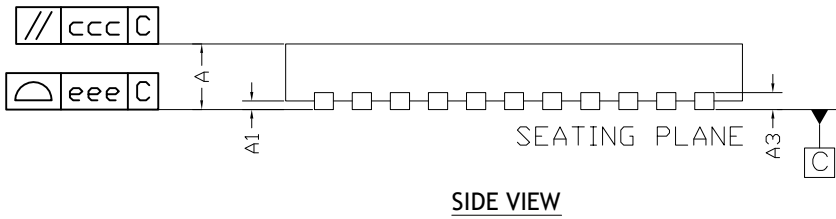
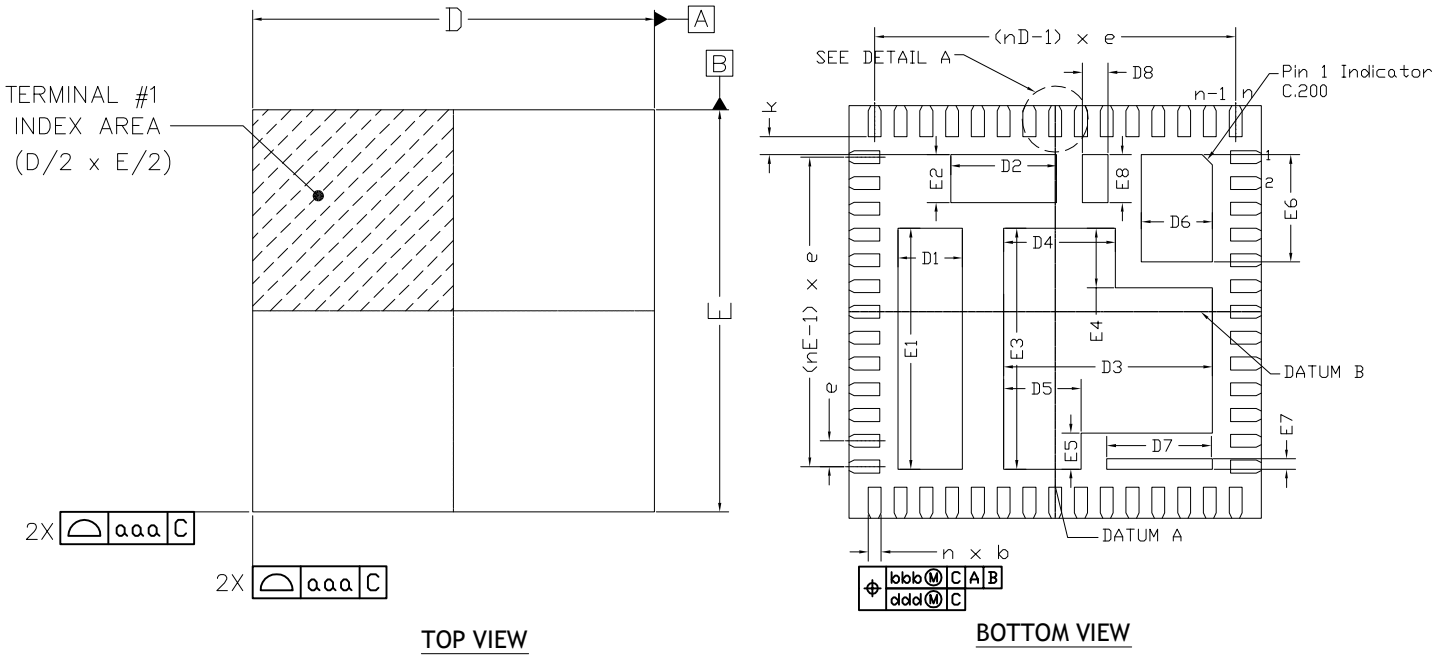


### Revision History

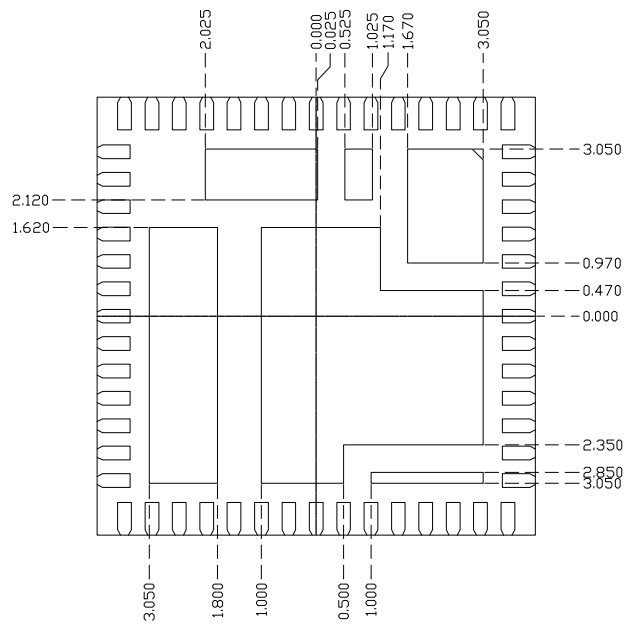
REV.	Description	Date	APP'D
A	DRAWING ORIGATION	NOV/18/2016	ECN 1650-11 jh
B	UPDATE LAND PATTERN & STENCIL DESIGN	JAN/29/2018	ECN 1805-08 jh



PACKAGE	56L 8x8 SIP-QFN		
REF.	MIN.	NDM.	MAX.
A	3.90	4.00	4.10
b	0.20	0.25	0.30
L	0.50	0.60	0.70
k	0.25	0.35	0.45
D	8.00 BSC		
D1	1.15	1.25	1.35
D2	1.95	2.05	2.15
D3	3.95	4.05	4.15
D4	2.07	2.17	2.27
D5	1.40	1.50	1.60
D6	1.28	1.38	1.48
D7	1.95	2.05	2.15
D8	0.40	0.50	0.60
E	8.00 BSC		
E1	4.57	4.67	4.77
E2	0.83	0.93	1.03
E3	4.57	4.67	4.77
E4	1.05	1.15	1.25
E5	0.60	0.70	0.80
E6	1.98	2.08	2.18
E7	0.10	0.20	0.30
E8	0.83	0.93	1.03
e	0.50 BSC		
n	56		
nD	15		
nE	13		

SYMBOL	COMMON DIMENSIONS			NOTE
	MIN.	NDM.	MAX.	
A1	0	0.02	0.05	
A3	0.20 REF.			
TOLERANCES OF FORM AND POSITION				
aaa	0.10			
bbb	0.10			
ccc	0.10			
ddd	0.05			
eee	0.08			

#### TERMINAL DETAILS



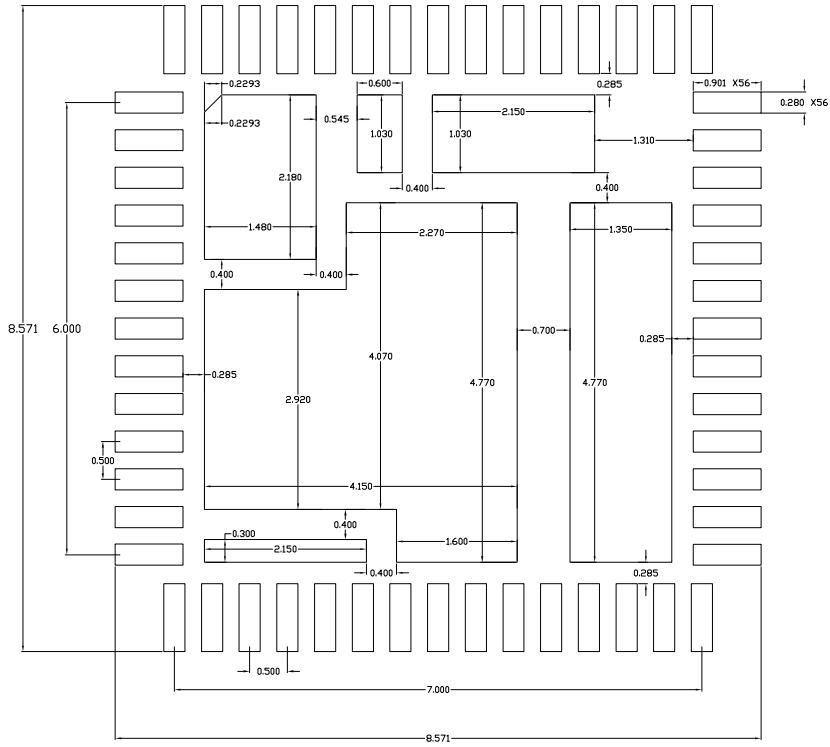
#### TERMINAL AND PAD EDGE DETAILS

- ALL DIMENSIONS ARE IN MILLIMETERS.
- DIMENSIONS AND TOLERANCE PER JEDEC MO-220.

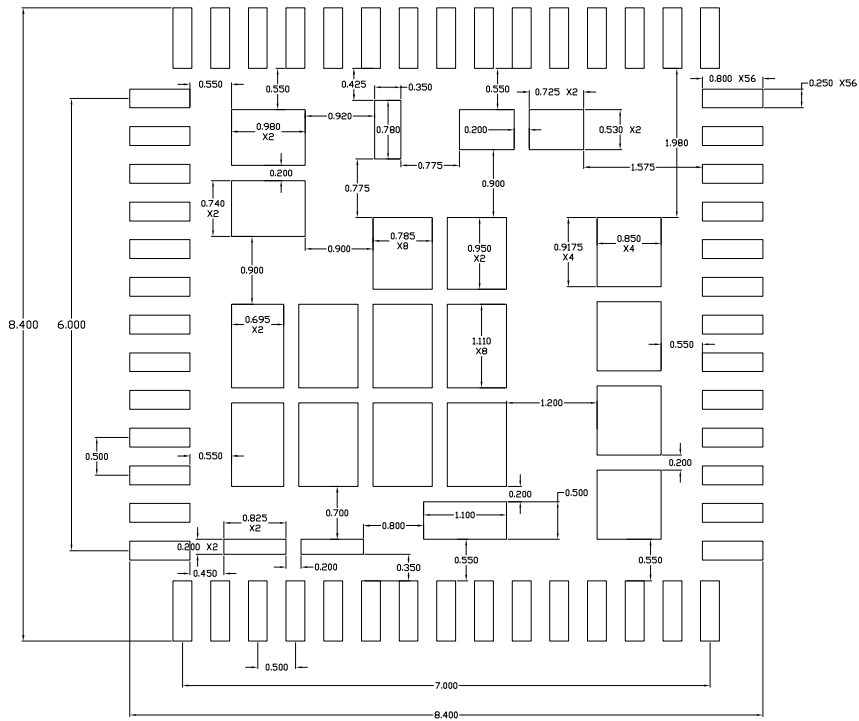
	<b>MAXLINEAR CORPORATION</b>		
56LD 8x8x4mm QFN Package Outline Drawing			
Packaging Approval:		Drawing No.: POD-00000102	
By: YG Eom	Date: JAN.29.2018	Revision: B	Sheet 1 OF 2

### Revision History

REV.	Description	Date	APP'D
A	DRAWING ORIGATION	NOV/18/2016	ECN 1650-11 jh
B	UPDATE LAND PATTERN & STENCIL DESIGN	JAN/29/2018	ECN 1805-08 jh



TYPICAL RECOMMENDED LAND PATTERN



TYPICAL RECOMMENDED STENCIL



**MAXLINEAR CORPORATION**

56LD 8x8x4mm QFN Package Outline Drawing

Packaging Approval:

Drawing No.: POD-00000102

By: YG Eom

Date: JAN.29.2018

Revision: B

Sheet 2 OF 2