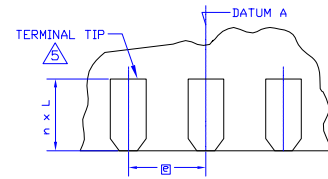
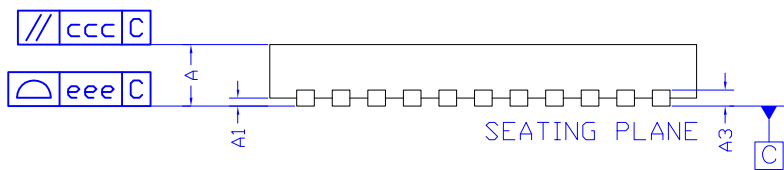
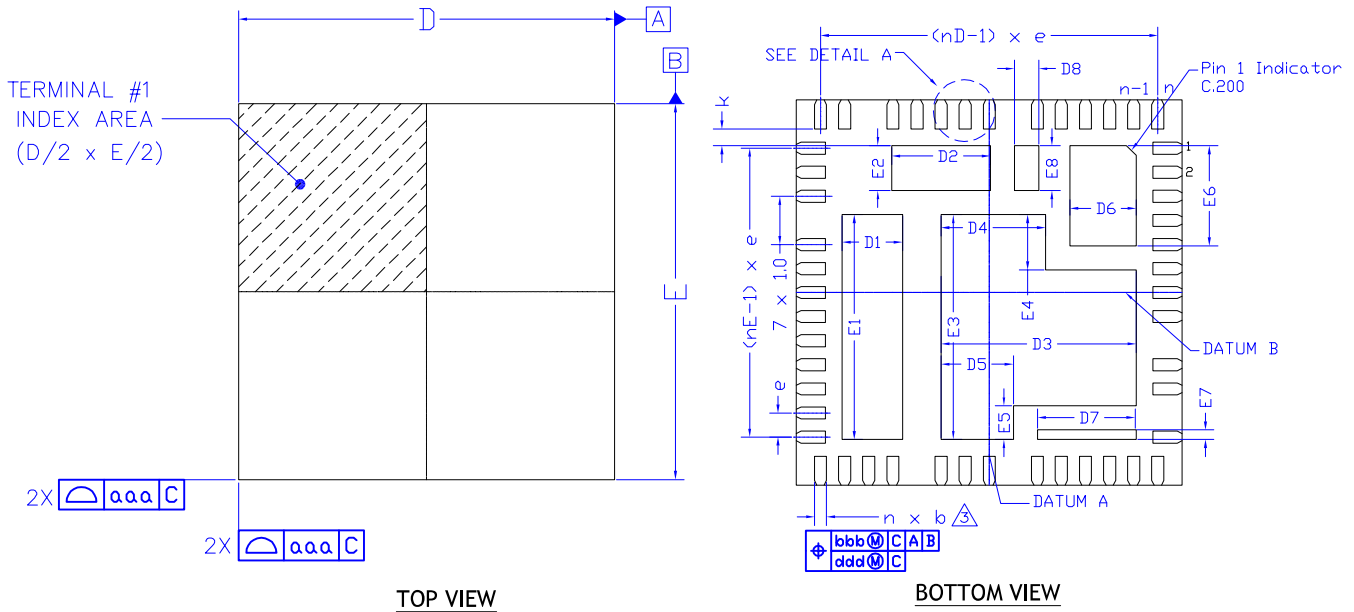


Revision History

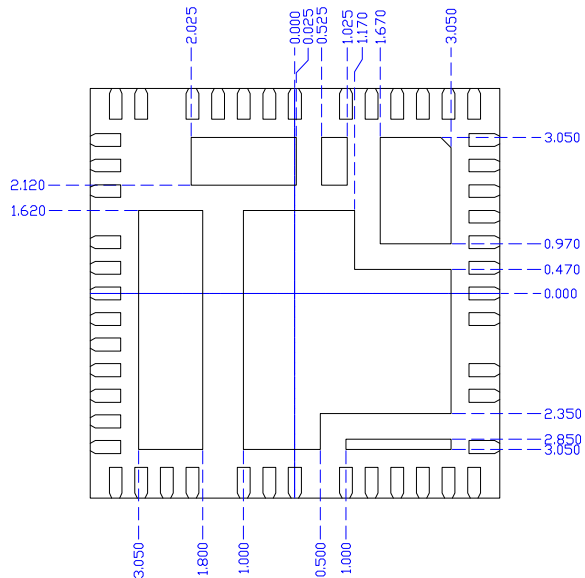
REV.	Description	Date	APP'D
A	Initial release	March/18/2021	ECN 2117-01 jh



SIDE VIEW

DETAIL A

PACKAGE	49L 8x8 SIP QFN		
REF.	MIN.	NDM.	MAX.
A	3.90	4.00	4.10
b	0.20	0.25	0.30
L	0.50	0.60	0.70
k	0.25	0.35	0.45
D	8.00 BSC		
D1	1.15	1.25	1.35
D2	1.95	2.05	2.15
D3	3.95	4.05	4.15
D4	2.07	2.17	2.27
D5	1.40	1.50	1.60
D6	1.28	1.38	1.48
D7	1.95	2.05	2.15
D8	0.40	0.50	0.60
E	8.00 BSC		
E1	4.57	4.67	4.77
E2	0.83	0.93	1.03
E3	4.57	4.67	4.77
E4	1.05	1.15	1.25
E5	0.60	0.70	0.80
E6	1.98	2.08	2.18
E7	0.10	0.20	0.30
E8	0.83	0.93	1.03
e	0.50 BSC		
n	49		
nD	13		
nE	12		



TERMINAL AND PAD EDGE DETAILS

- ALL DIMENSIONS ARE IN MILLIMETERS.
- DIMENSIONS AND TOLERANCE PER JEDEC MO-220.

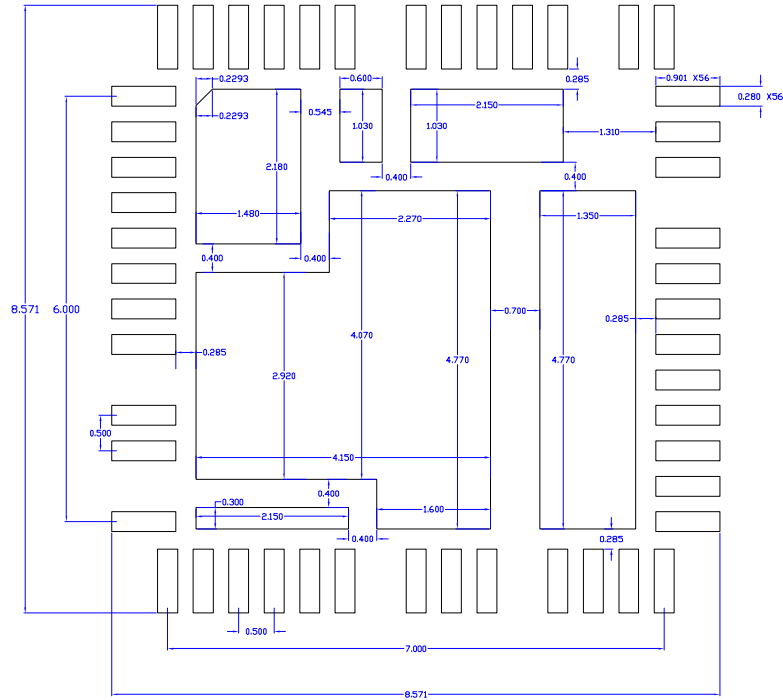
SYMBOL	COMMON DIMENSIONS			NOTE
	MIN.	NDM.	MAX.	
A1	0	0.02	0.05	
A3	0.20 REF.			
TOLERANCES OF FORM AND POSITION				
aaa	0.10			
bbb	0.10			
ccc	0.10			
ddd	0.05			
eee	0.08			

TERMINAL DETAILS

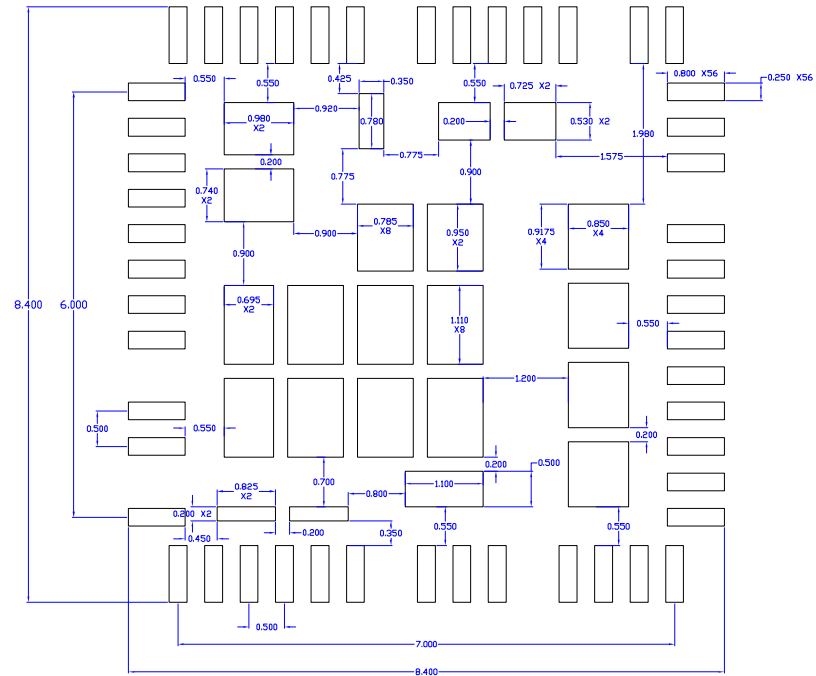
		MAXLINEAR CORPORATION	
		49LD 8x8x4mm QFN Package Outline Drawing	
Packaging Approval:		Drawing No.: POD-00000163	
By: YG Eom	Date: March.18.2021	Revision: A	Sheet 1 OF 2

Revision History

REV.	Description	Date	APP'D
A	Initial release	March/18/2021	ECN 2117-01 jh



TYPICAL RECOMMENDED LAND PATTERN



TYPICAL RECOMMENDED STENCIL



MAXLINEAR CORPORATION

49LD 8x8x4mm QFN Package Outline Drawing

Packaging Approval:

Drawing No.: POD-00000163

By: YG Eom

Date: March.18.2021

Revision: A

Sheet 2 OF 2