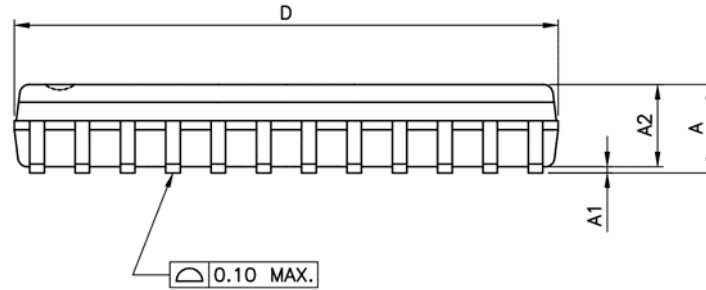
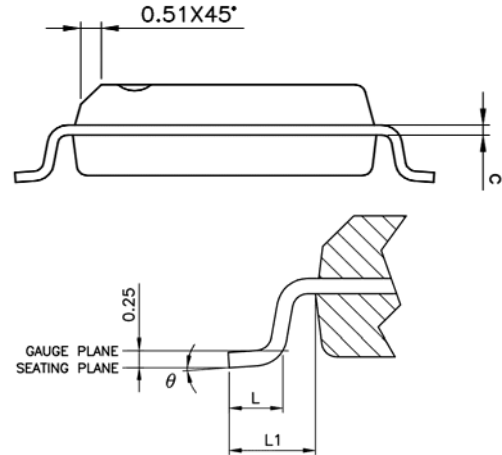
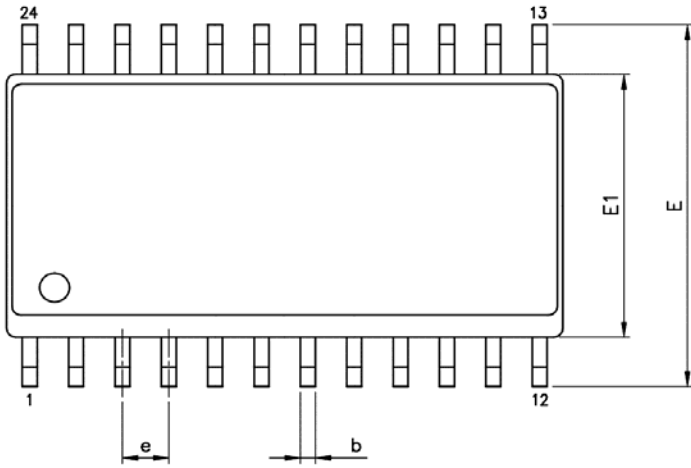


Revision History			
REV	Description	Date	APP'D
A	24 lead small outline (300mils)	July/06/2017	ECN 1733-03 08-14-17jh



SYMBOLS	MIN.	NOM.	MAX.
A	—	—	2.65
A1	0.10	—	0.30
A2	2.05	—	—
b	0.31	—	0.51
c	0.20	—	0.33
D	15.24	—	15.70
E1	7.50 BSC		
E	10.30 BSC		
e	1.27 BSC		
L1	1.40 REF		
L	0.40	—	1.27
$\theta$	0°	—	8°

**TERMINAL DETAILS**

1. All dimensions are in Millimeters
2. Dimensions and tolerance per Jedec MS-013 AD

		MAXLINEAR	
		24 lead small outline (300mils) PACKAGE OUTLINE	
Packaging Approval		Drawing No. : POD - 00000122	Sheet: 1 OF 1
By: YG Eom	Date: July.06.2017	Revision: A	