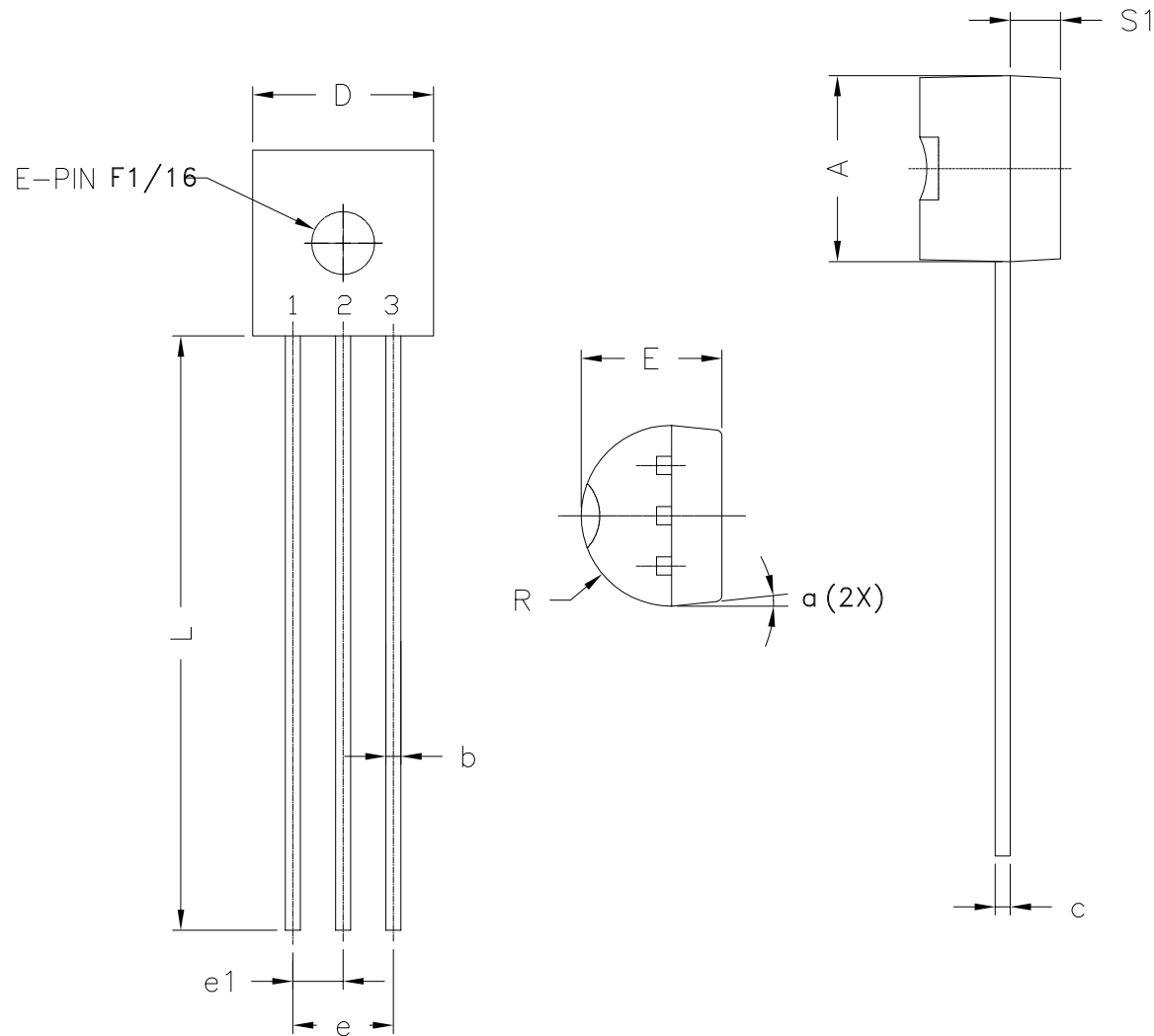



REVISION HISTORY			
REV.	DISCRIPTION	DATE	APP'D
A	DRAWING ORIGINATION	11/14/13	AD

3 Pin TO-92 (Option 1)* JEDEC TO-226-AA

SYMBOLS	DIMENSIONS IN INCH (Control Unit)		DIMENSIONS IN MM (Reference Unit)	
	MIN	MAX	MIN	MAX
A	0.170	0.210	4.32	5.33
b	0.014	0.020	0.36	0.51
c	0.016	0.022	0.41	0.55
D	0.175	0.205	4.45	5.20
E	0.125	0.165	3.18	4.19
e	0.095	0.105	2.42	2.66
e1	0.045	0.055	1.15	1.39
L	0.500	0.610	12.70	15.49
R	0.045	0.095	2.16	2.41
S1	0.045	0.060	1.14	1.52
a	4°	6°	4°	6°
N	3		3	

* Refer to product datasheet for POD option being used




 A New Direction in Mixed-Signal	EXAR CORPORATION		
	TO-92 PACKAGE OUTLINE		
Packaging Approval:	Drawing No:	POD-0000022	
By: AD	Date: 11/14/13	Revision: A	Sheet: 1 OF 2

REVISION HISTORY			
REV.	DISCRIPTION	DATE	APP'D
A	DRAWING ORIGATION	11/14/13	AD

3 Pin TO-92 (Option 2)*				
SYMBOLS	DIMENSIONS IN INCH (Control Unit)		DIMENSIONS IN MM (Reference Unit)	
	MIN	MAX	MIN	MAX
A	0.170	0.210	4.32	5.33
b	0.014	0.020	0.36	0.51
c	0.016	0.022	0.41	0.55
D	0.175	0.205	4.45	5.20
E	0.125	0.165	3.18	4.19
e	0.095	0.105	2.42	2.66
e1	0.045	0.055	1.15	1.39
L	0.525		13.34	
L1	0.404		10.26	
L2	0.451		11.46	
R	0.045	0.095	2.16	2.41
S1	0.045	0.060	1.14	1.52
a	4°	6°	4°	6°
N	3		3	

* Refer to product datasheet for POD option being used

 A New Direction in Mixed-Signal	EXAR CORPORATION		
	TO-92 PACKAGE OUTLINE		
Packaging Approval:	Drawing No:	POD-0000022	
By: AD	Date: 11/14/13	Revision: A	Sheet: 2 OF 2

ECN 1346-06 11/14/2013

