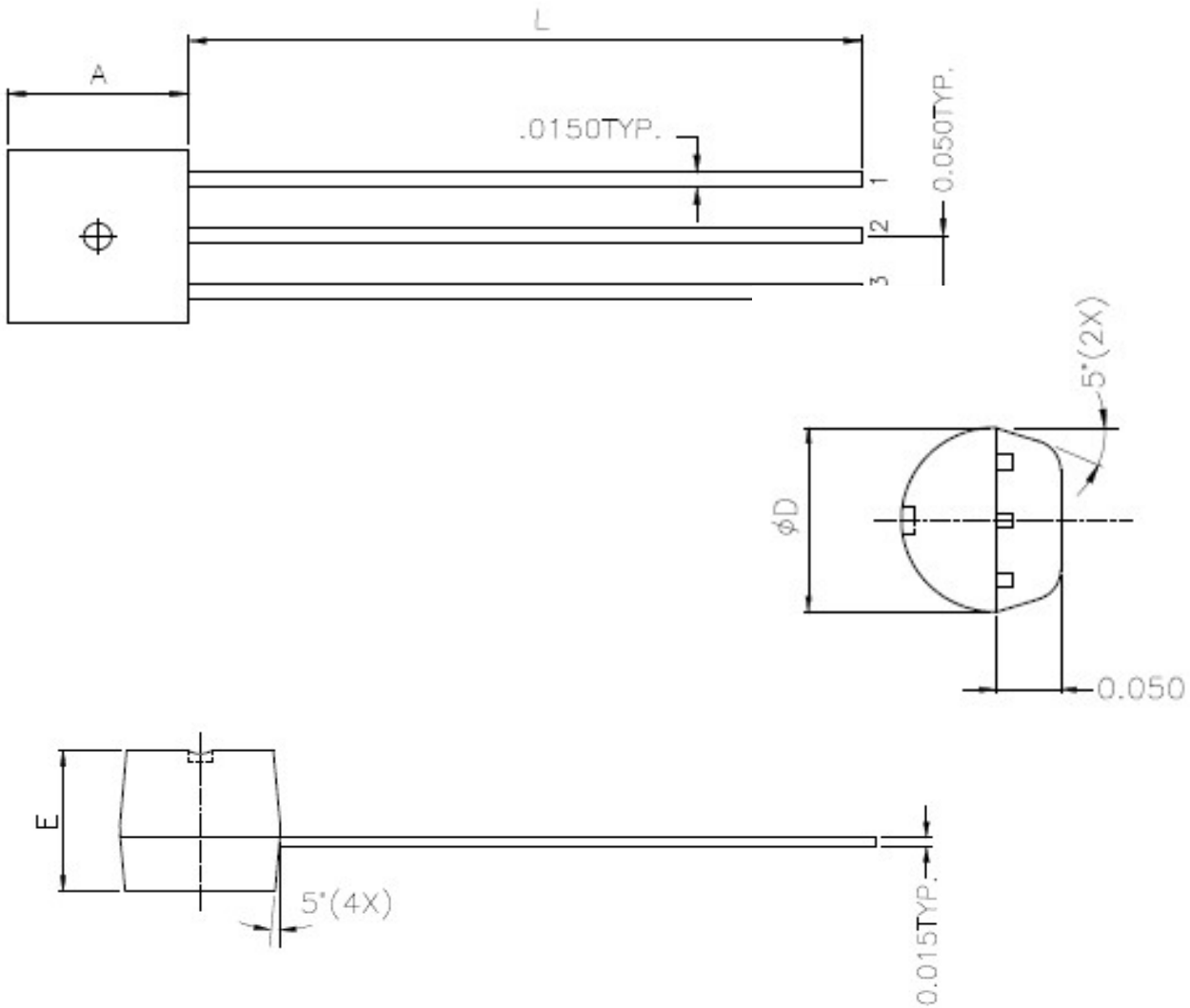


Part Number	Package Size	Subcon Reference Doc & Rev
SPX431AN-L/TR	TO-92 3L	Gretek J1-04003-001



SYMBOL	INCHES		
	MIN.	NOR.	MAX.
A	.170	.180	.210
ϕD	.175	.180	.205
E	.125	.142	.165
L	.500	.580	

NOTE :
1. JEDEC : TO-92.

