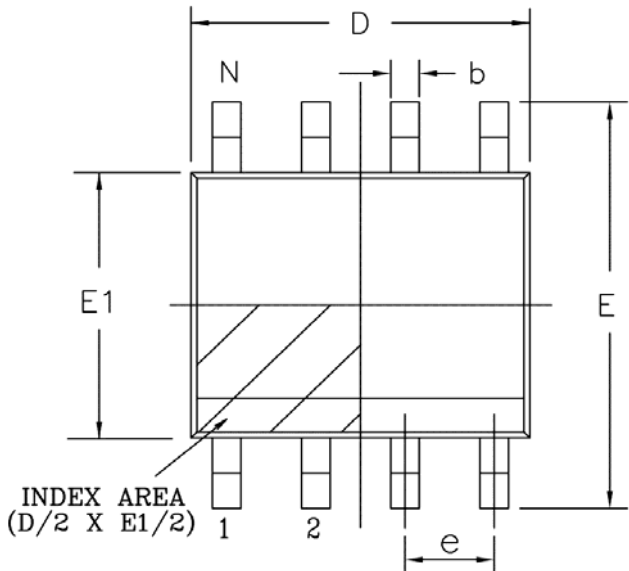
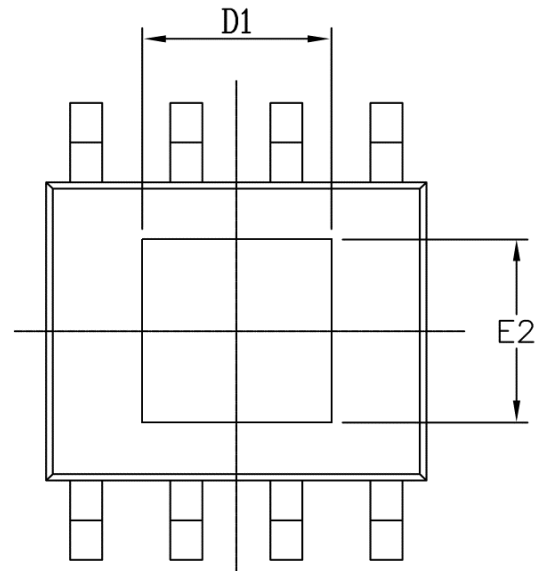


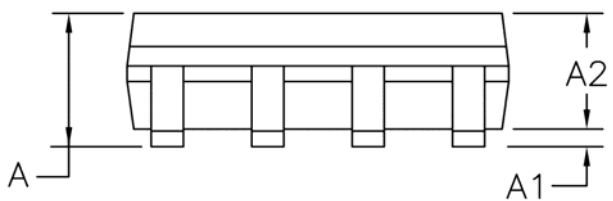
Revision History			
REV	Description	Date	APP'D
A	8 Pin HSOIC8 Option 3	Jun/02/2017	ECN 1733-14 8/15/2017jh
A.1	Typo 'degree' to 'degrees'	2-Nov-17	ECN 1744-17 11/02/2017 jh



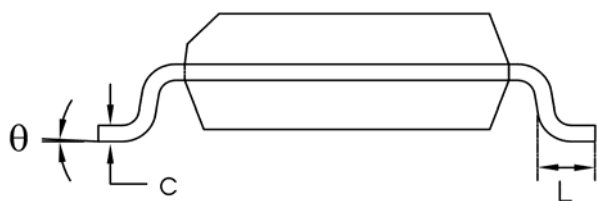
TOP VIEW



BOTTOM VIEW



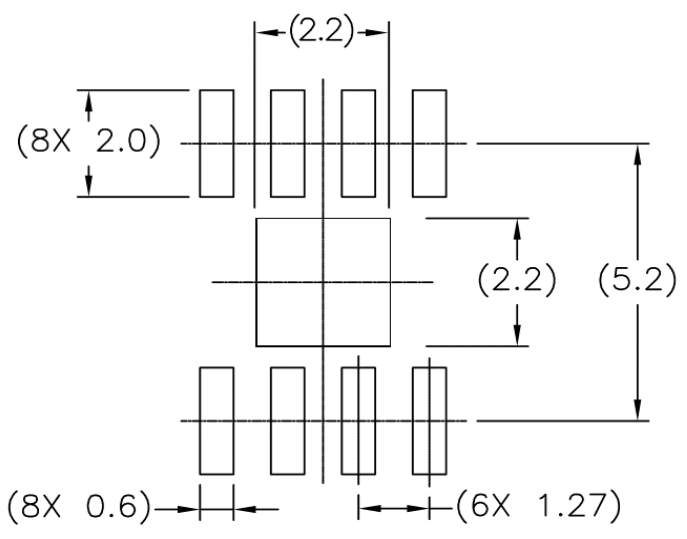
SIDE VIEW



FRONT VIEW

8 Pin HSOICN JEDEC MS-012 Variation BA			
SYMBOLS	DIMENSIONS IN MM		
	MIN	NOM	MAX
A	1.35		1.75
A1	0.05		0.15
A2			1.50
b	0.4 BSC		
c	0.17		0.25
D	4.80		5.00
D1	2.0 REF		
E	5.80		6.20
E1	3.80		4.00
E2	2.0 REF		
e	1.27 BSC		
L	0.40		1.27
theta	0°		8°
N	8		

TERMINAL DETAILS



LAND PATTERN RECOMMENDED

NOTE : ALL DIMENSIONS ARE IN MILLIMETERS, ANGLES ARE IN DEGREES

	MAXLINEAR CORPORATION	
	8 Pin HSOICN Option 3 PACKAGE OUTLINE	
Packaging Approval:	Drawing No. : POD - 00000123	Sheet: 1 OF 1
By: YG EOM Date: Nov. 2 2017	Revision: A.1	