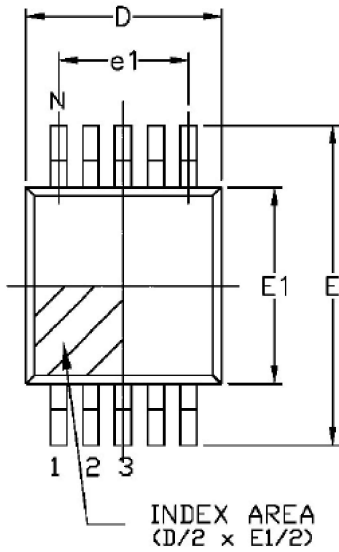
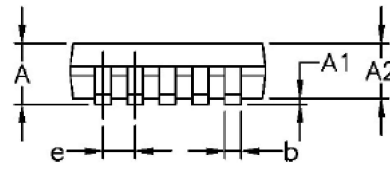


Revision History

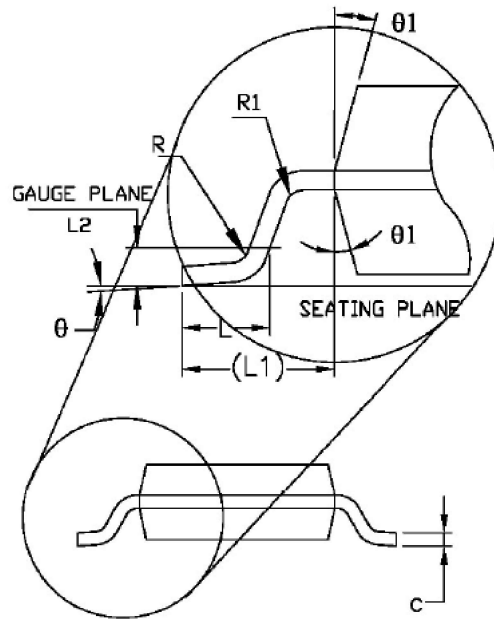
| REV. | Description | Date | APP'D |
|------|-------------------|-------------|----------------|
| A | DRAWING ORIGATION | JAN/04/2020 | ECN 2203-02 jh |



TOP VIEW

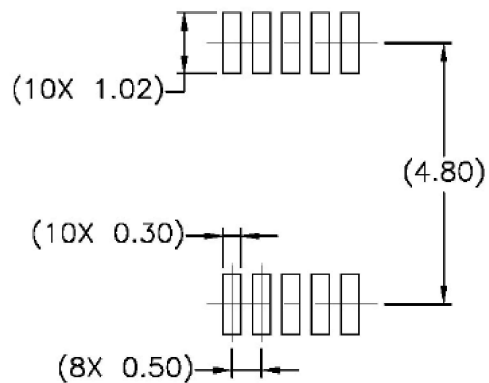


SIDE VIEW



FRONT VIEW

| 10 Pin MSOP JEDEC MO-187 Variation BA | | | | | | |
|---------------------------------------|------------------------------------|------|------|--|-------|-------|
| SYMBOLS | DIMENSIONS IN MM (Control Unit) | | | DIMENSIONS IN INCH (Reference Unit) | | |
| | MIN | NOM | MAX | MIN | NOM | MAX |
| A | — | — | 1.10 | — | — | 0.043 |
| A1 | 0.00 | — | 0.15 | 0.000 | — | 0.006 |
| A2 | 0.75 | 0.85 | 0.95 | 0.030 | 0.033 | 0.037 |
| b | 0.17 | — | 0.33 | 0.007 | — | 0.013 |
| c | 0.08 | — | 0.23 | 0.003 | — | 0.009 |
| E | 4.90 BSC | | | 0.193 BSC | | |
| E1 | 3.00 BSC | | | 0.118 BSC | | |
| e | 0.50 BSC | | | 0.020 BSC | | |
| e1 | 2.00 BSC | | | 0.079 BSC | | |
| L | 0.40 | 0.60 | 0.80 | 0.016 | 0.024 | 0.031 |
| L1 | 0.95 REF | | | 0.037 REF | | |
| L2 | 0.25 BSC | | | 0.010 BSC | | |
| R | 0.07 | — | — | 0.003 | — | — |
| R1 | 0.07 | — | — | 0.003 | — | — |
| theta | 0° | — | 8° | 0° | — | 8° |
| theta1 | 5° | — | 15° | 5° | — | 15° |
| D | 3.00 BSC | | | 0.118 BSC | | |
| N | 10 | | | 10 | | |



LAND PATTERN RECOMMENDATION

- ALL DIMENSIONS ARE IN MILLIMETERS, ANGLES ARE IN DEGREES.
- DIMENSIONS AND TOLERANCE PER JEDEC MO-187 VARIATION BA.

| | | |
|------------------------------------|--------------------------------|--------------|
| | MAXLINEAR CORPORATION | |
| | 10MSOP Package Outline Drawing | |
| Packaging Approval: | Drawing No.: POD-000000 166 | Sheet 1 OF 1 |
| By: Hong Yang Date: JAN.04.2022 | Revision: A | |