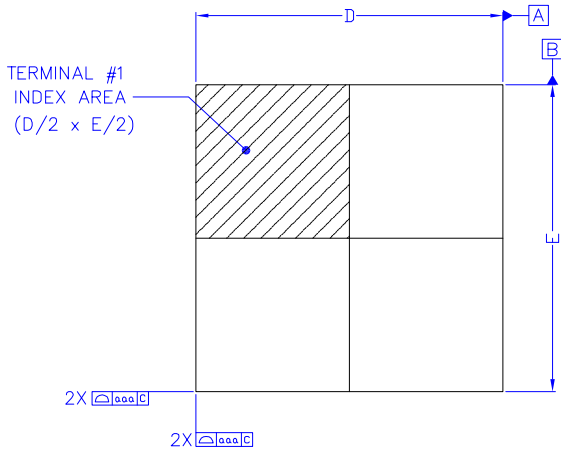
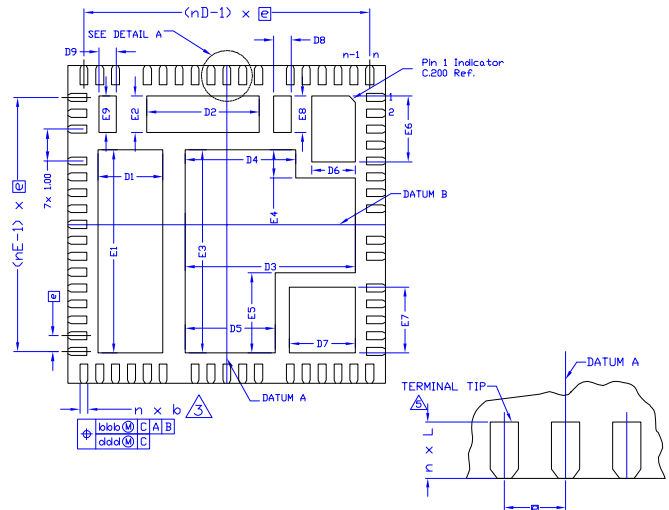


REVISION HISTORY

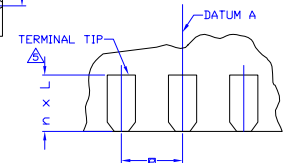
REV.	DESCRIPTION	DATE	APP'D
A	Initial release	March/18/2021	ECN 2117-02 jh



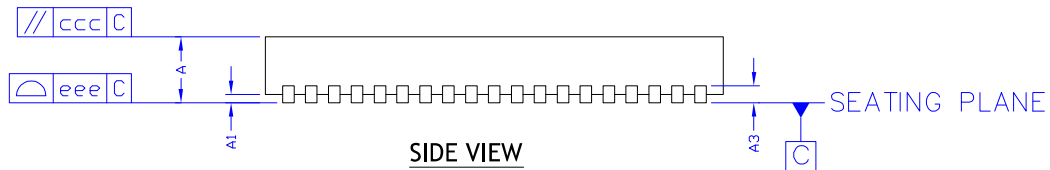
TOP VIEW



BOTTOM VIEW

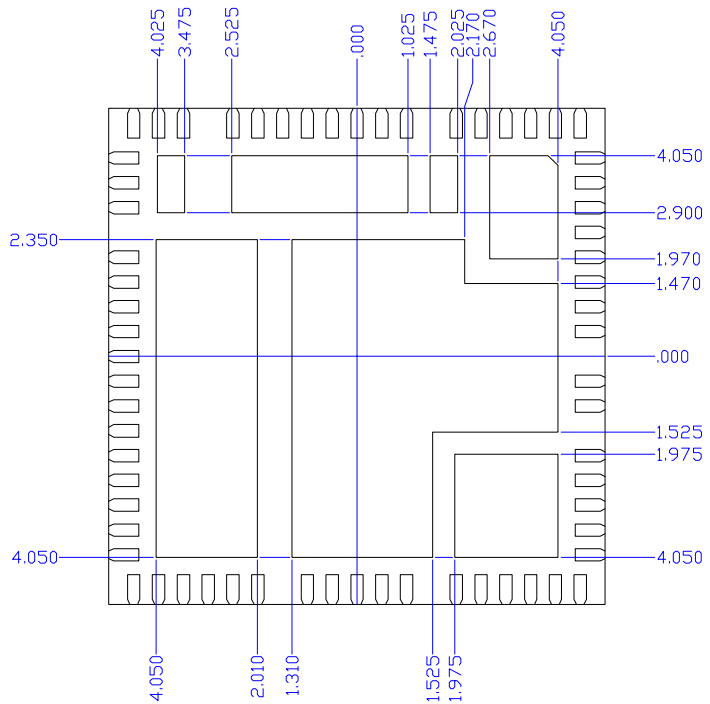


DETAIL A



SIDE VIEW

PACKAGE	65L 10x10 SIP QFN		
REF.	MIN.	NDM.	MAX.
A	3.90	4.00	4.10
b	0.20	0.25	0.30
L	0.50	0.60	0.70
D	10.00 BSC		
D1	1.94	2.04	2.14
D2	3.45	3.55	3.65
D3	5.26	5.36	5.46
D4	3.38	3.48	3.58
D5	2.735	2.835	2.935
D6	1.28	1.38	1.48
D7	1.975	2.075	2.175
D8	0.45	0.55	0.65
D9	0.45	0.55	0.65
E	10.00 BSC		
E1	6.30	6.40	6.50
E2	1.05	1.15	1.25
E3	6.30	6.40	6.50
E4	0.78	0.88	0.98
E5	2.425	2.525	2.625
E6	1.98	2.08	2.18
E7	1.975	2.075	2.175
E8	1.05	1.15	1.25
E9	1.05	1.15	1.25
e	0.50 BSC		
n	65		
nD	17		
nE	16		



TERMINAL AND PAD EDGE DETAILS

SYMBOL	COMMON DIMENSIONS			NOTE
	MIN.	NDM.	MAX.	
A1	0	0.02	0.05	
A3	0.20 REF.			
TOLERANCES OF FORM AND POSITION				
aaa	0.10			
bbb	0.10			
ccc	0.10			
ddd	0.05			
eee	0.08			

TERMINAL DETAILS

NOTE : ALL DIMENSIONS ARE IN MILLIMETERS, ANGLES ARE IN DEGREES.

	MAXLINEAR CORPORATION	
	65LD 10x10x4.0mm QFN Package Outline Drawing	
Packaging Approval:	Drawing No.: POD-00000164	Sheet 1 OF 2
By: YG Eom Date: March.18.2021	Revision: A	

