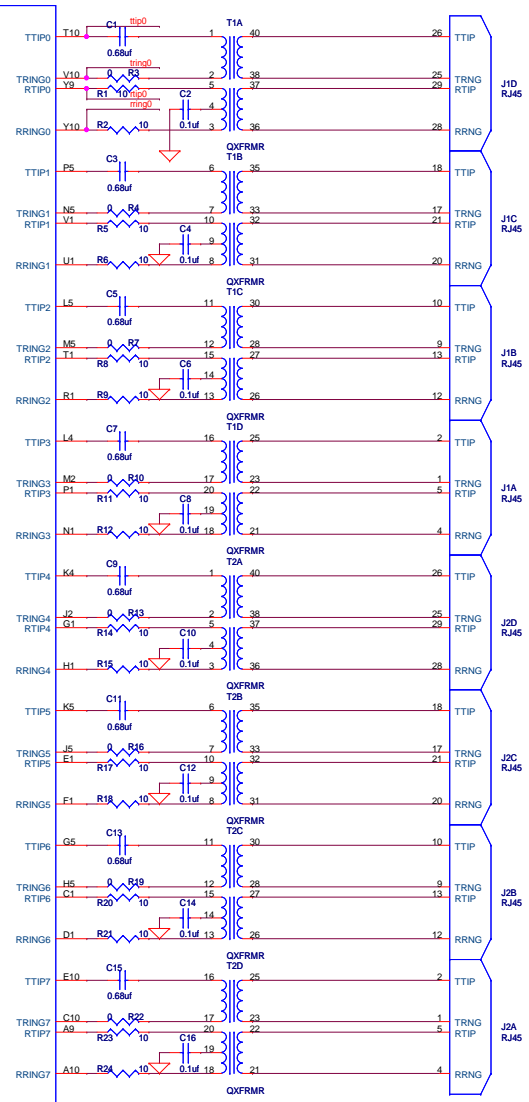
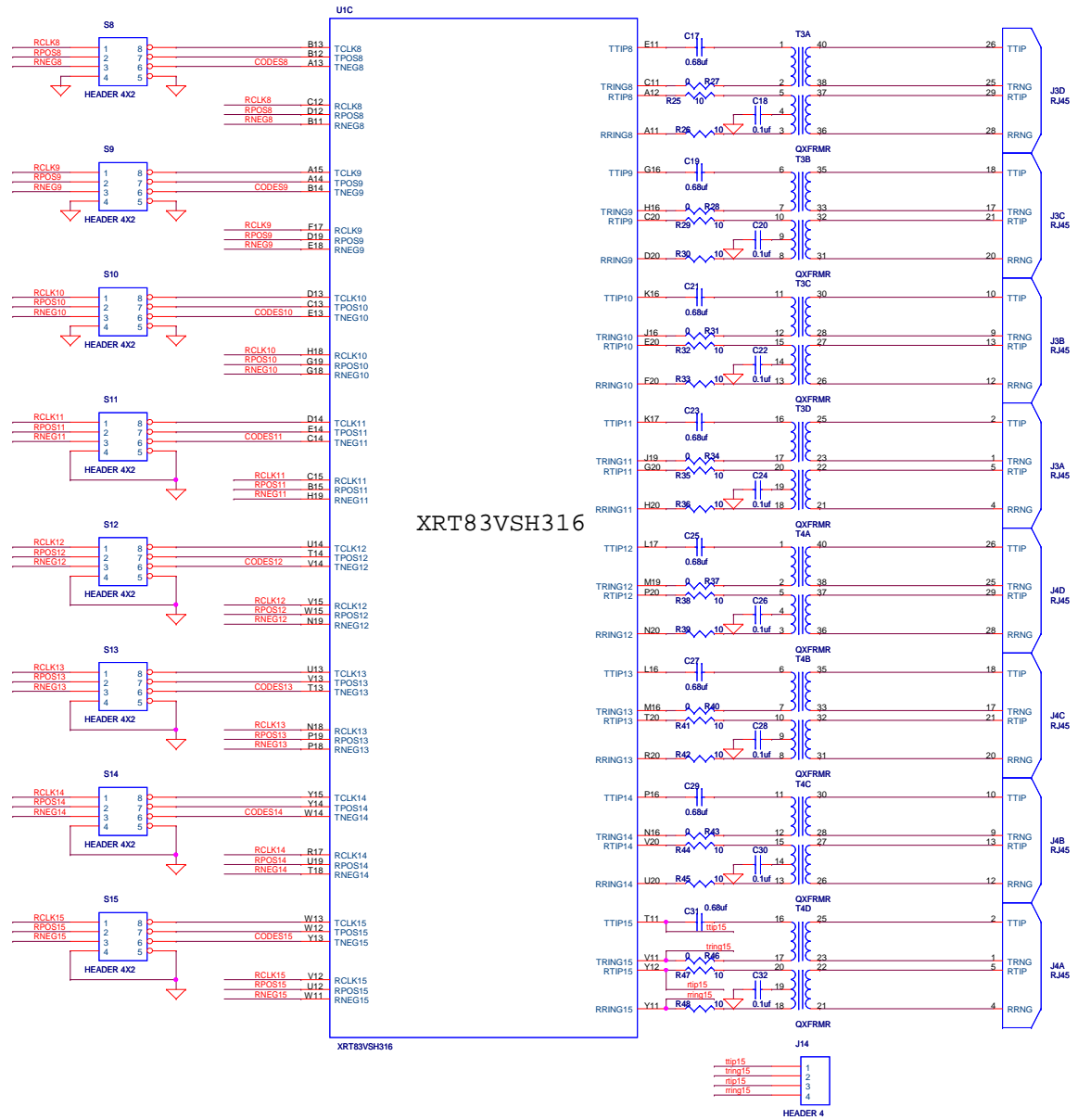


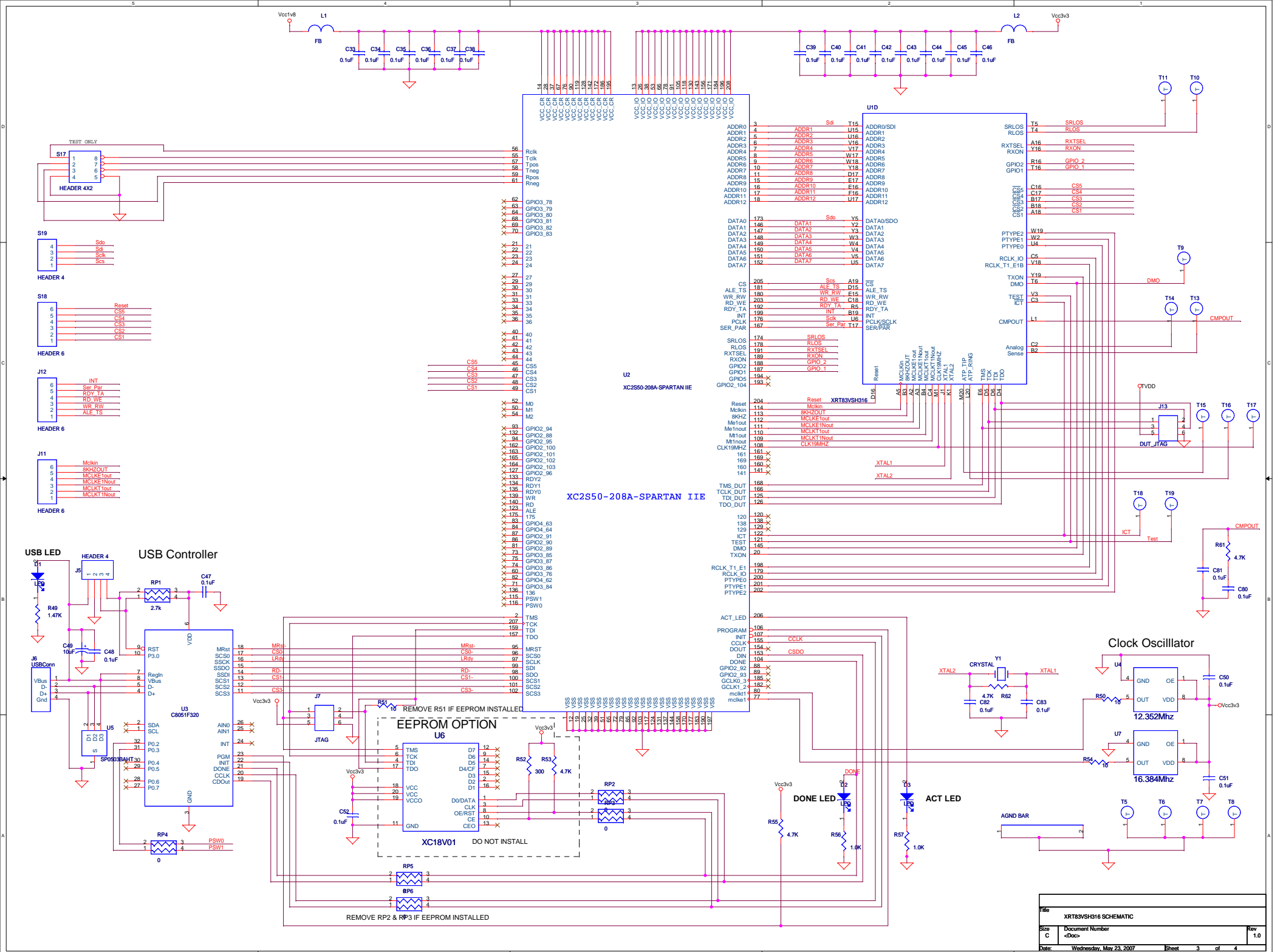
XRT83VSH316



Title	<Title>	XRT83VSH316	Rev	0
Size	Document Number			
C	<Doc>			
Date	Monday, May 07, 2007	Sheet	1	of 4



File	<Title>	XRT83VSH316
Size	Document Number	
C	<Doc>	
Date:	Monday, May 07, 2007	Sheet 2 of 4
Rev	0	

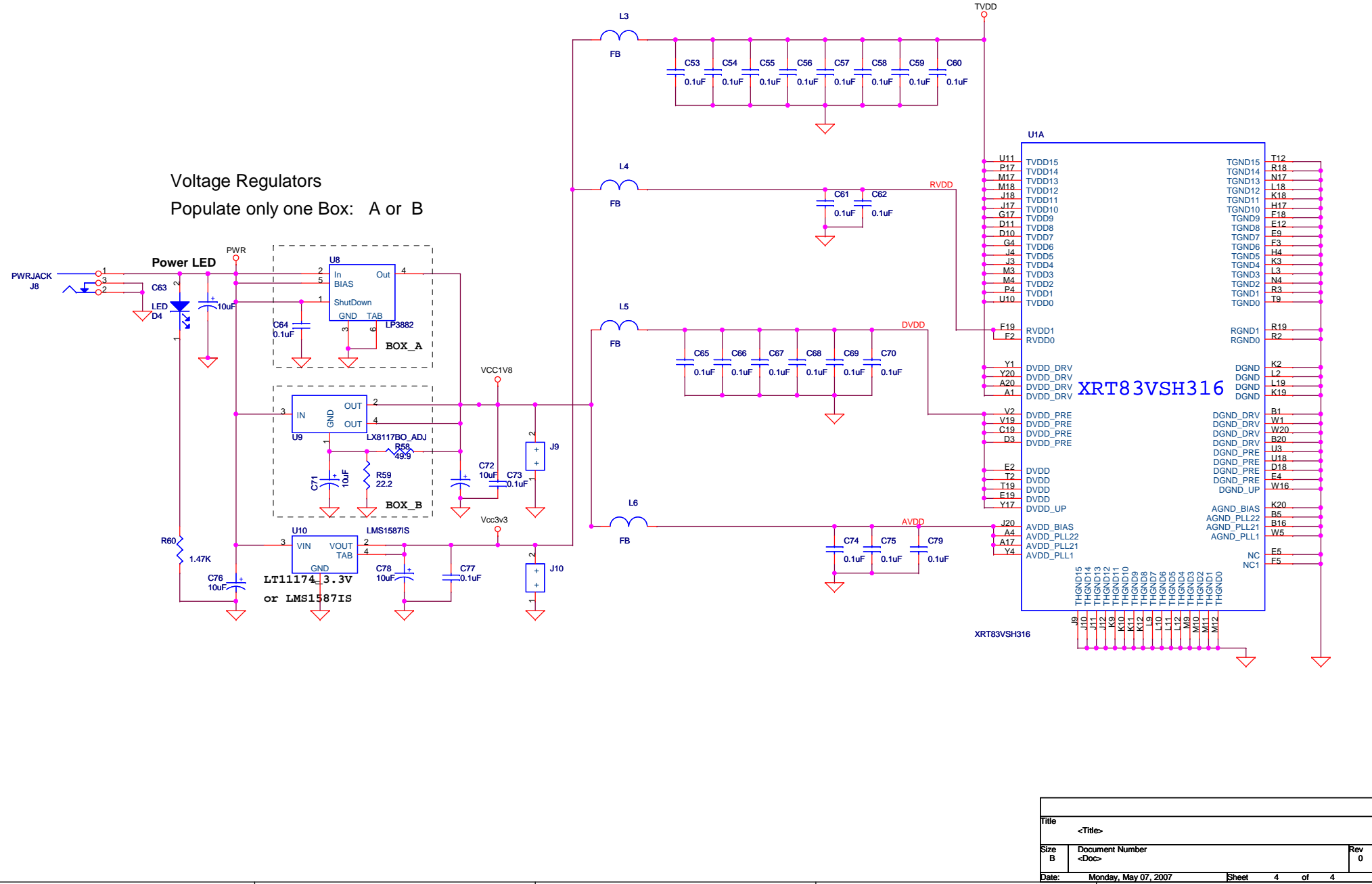


XC2S50-208A-SPARTAN IIE

Title			XR783VSH316 SCHEMATIC		
Size	Document Number				
C	<Doc>				
Date:	Wednesday, May 23, 2007	Sheet	3	of	4
Rev	1.0				

Voltage Regulators

Populate only one Box: A or B



Title	<Title>	
Size	Document Number	Rev
B	<Doc>	0
Date:	Monday, May 07, 2007	Sheet 4 of 4