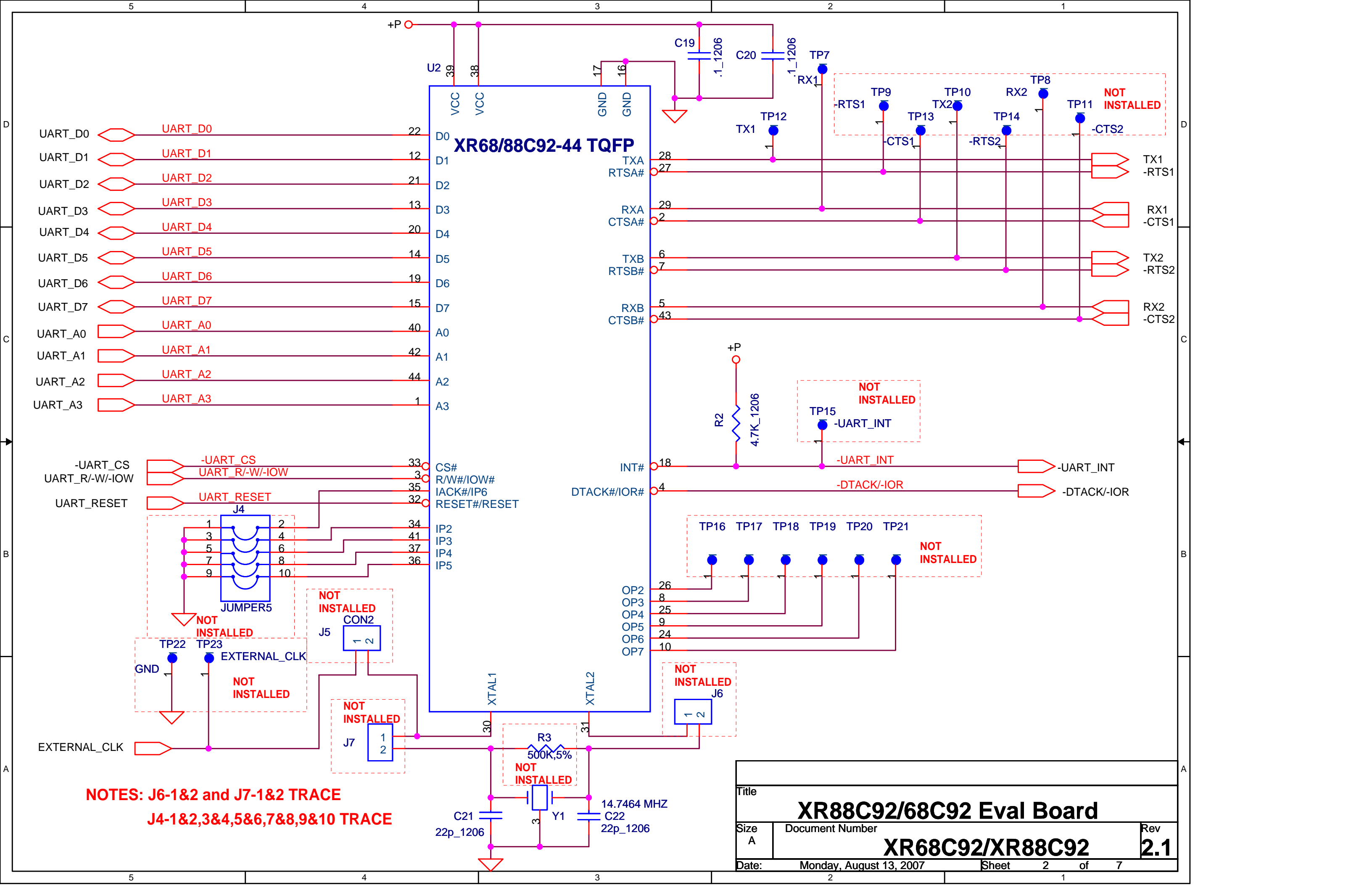


Notes: Add header at connector J1

Exar		
Title		
XR88C92/XR68C92 Eval Board		
Size	Document Number	Rev
A	XR68C92/XR88C92	2.1
Date:	Monday, August 13, 2007	Sheet 1 of 7



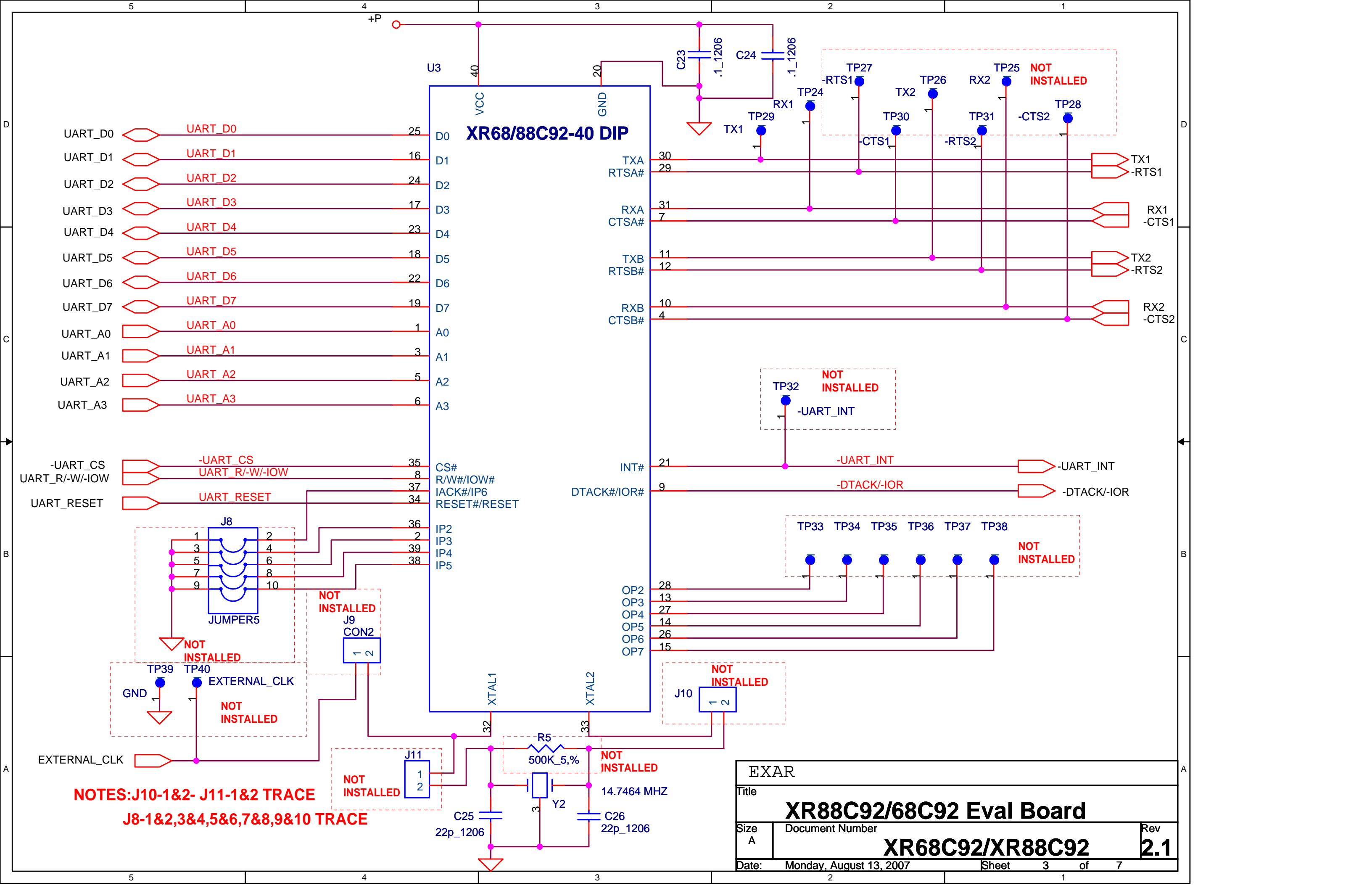
- UART_D0
- UART_D1
- UART_D2
- UART_D3
- UART_D4
- UART_D5
- UART_D6
- UART_D7
- UART_A0
- UART_A1
- UART_A2
- UART_A3

- UART_CS
- UART_R/-W/-IOW
- UART_RESET
- EXTERNAL_CLK

- TX1
- RTS1
- RX1
- CTS1
- TX2
- RTS2
- RX2
- CTS2

NOTES: J6-1&2 and J7-1&2 TRACE
J4-1&2,3&4,5&6,7&8,9&10 TRACE

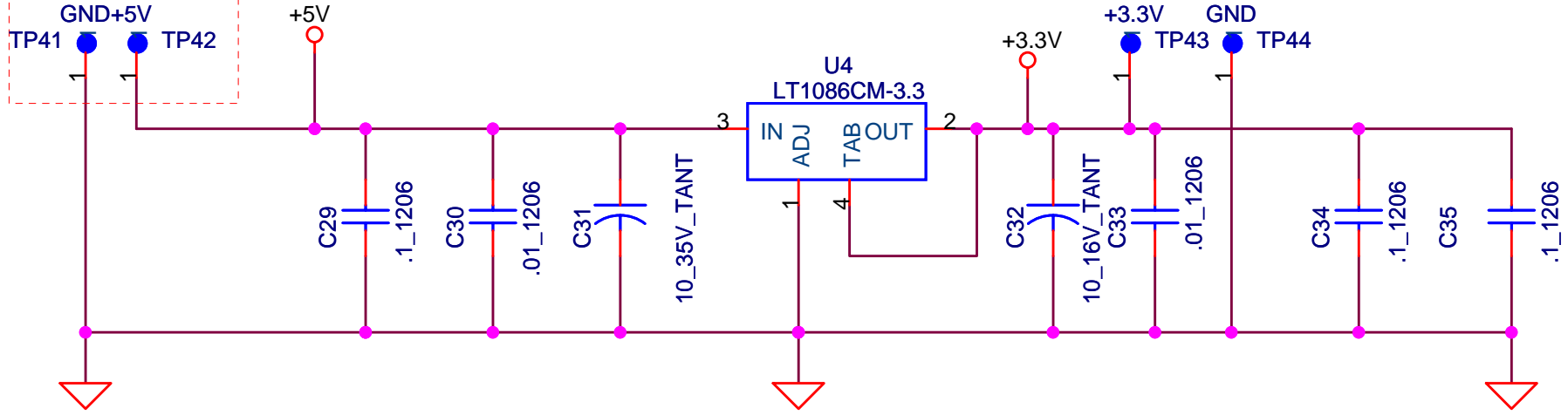
Title		
XR88C92/68C92 Eval Board		
Size	Document Number	Rev
A	XR68C92/XR88C92	2.1
Date:	Monday, August 13, 2007	Sheet 2 of 7



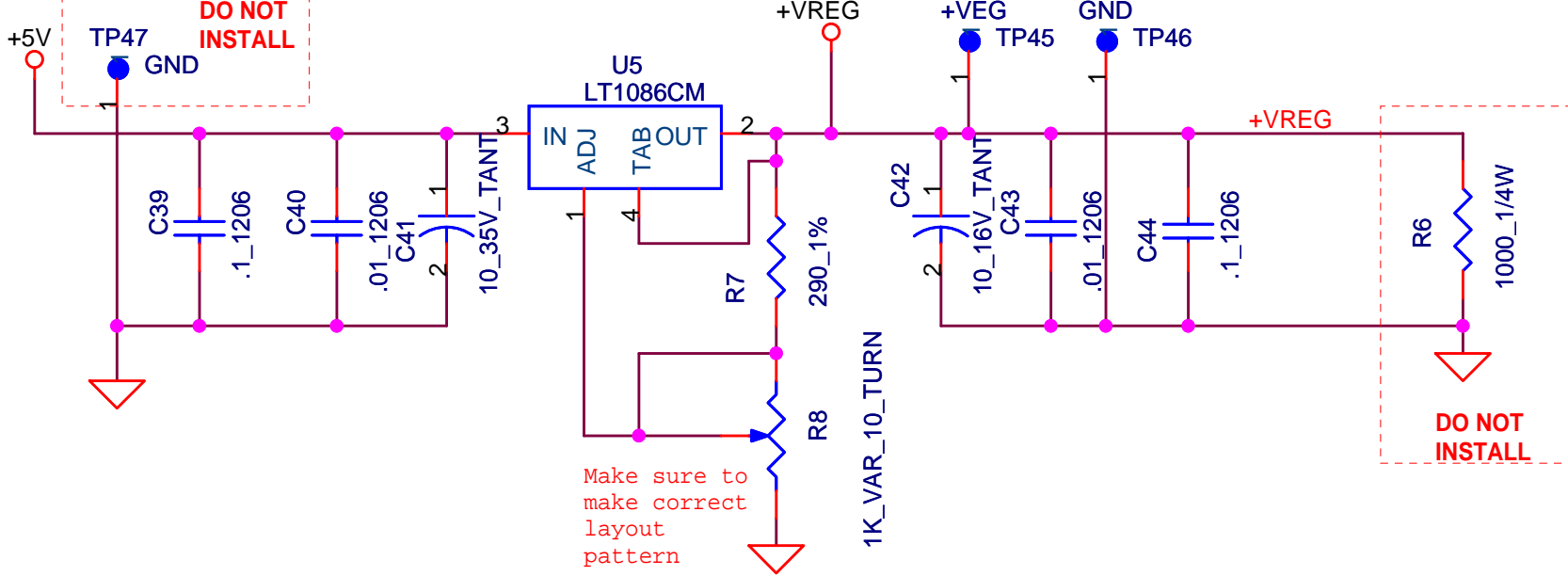
NOTES: J10-1&2- J11-1&2 TRACE
J8-1&2,3&4,5&6,7&8,9&10 TRACE

EXAR		
Title		
XR88C92/68C92 Eval Board		
Size	Document Number	Rev
A	XR68C92/XR88C92	2.1
Date:	Monday, August 13, 2007	Sheet 3 of 7

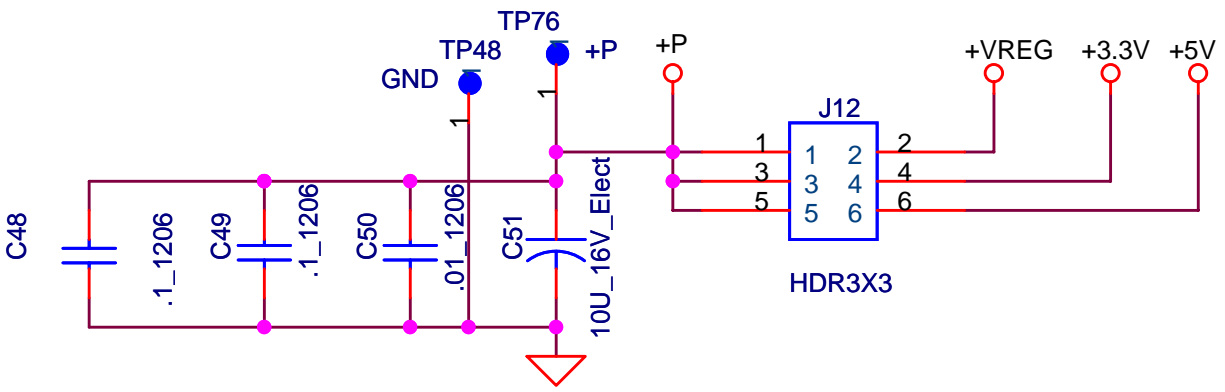
DO NOT
INSTALL



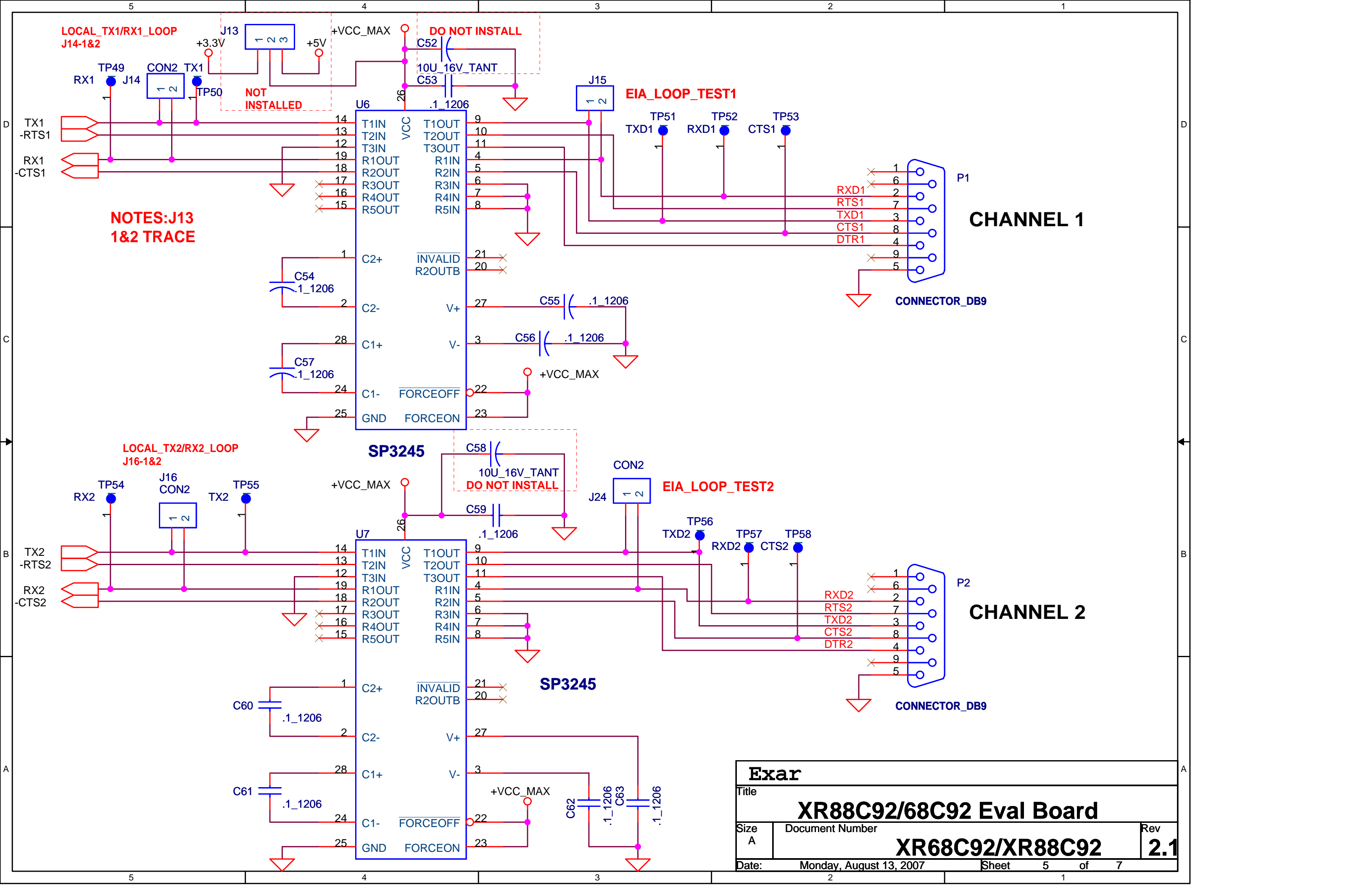
DO NOT
INSTALL



DO NOT
INSTALL



Exar		
Title		
XR88C92/68C92 Eval Board		
Size	Document Number	Rev
A	XR68C92/XR88C92	2.1
Date:	Monday, August 13, 2007	Sheet 4 of 7



LOCAL_TX1/RX1_LOOP
J14-1&2

NOT INSTALLED

DO NOT INSTALL

EIA_LOOP_TEST1

NOTES: J13
1&2 TRACE

CHANNEL 1

LOCAL_TX2/RX2_LOOP
J16-1&2

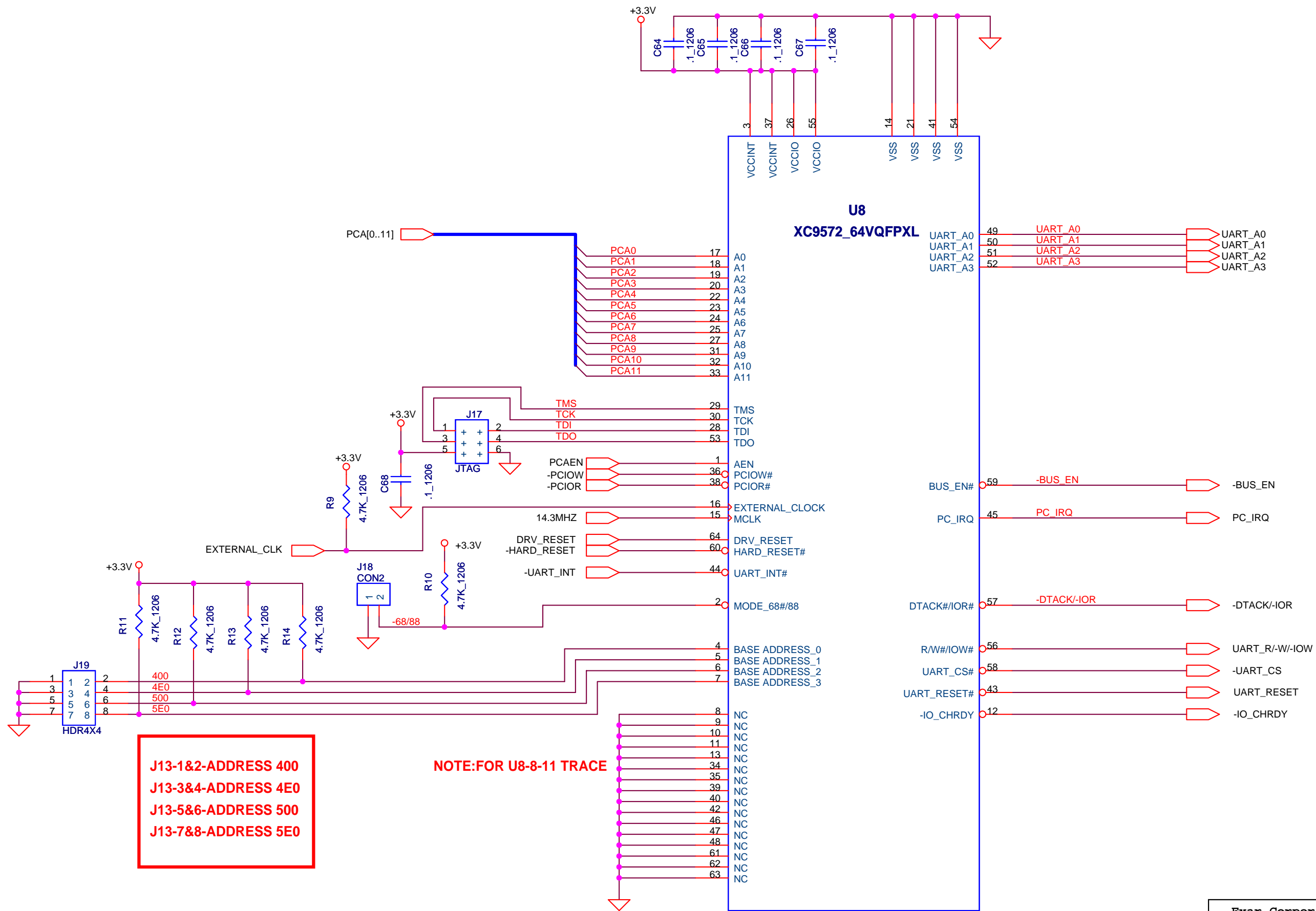
SP3245

DO NOT INSTALL

EIA_LOOP_TEST2

CHANNEL 2

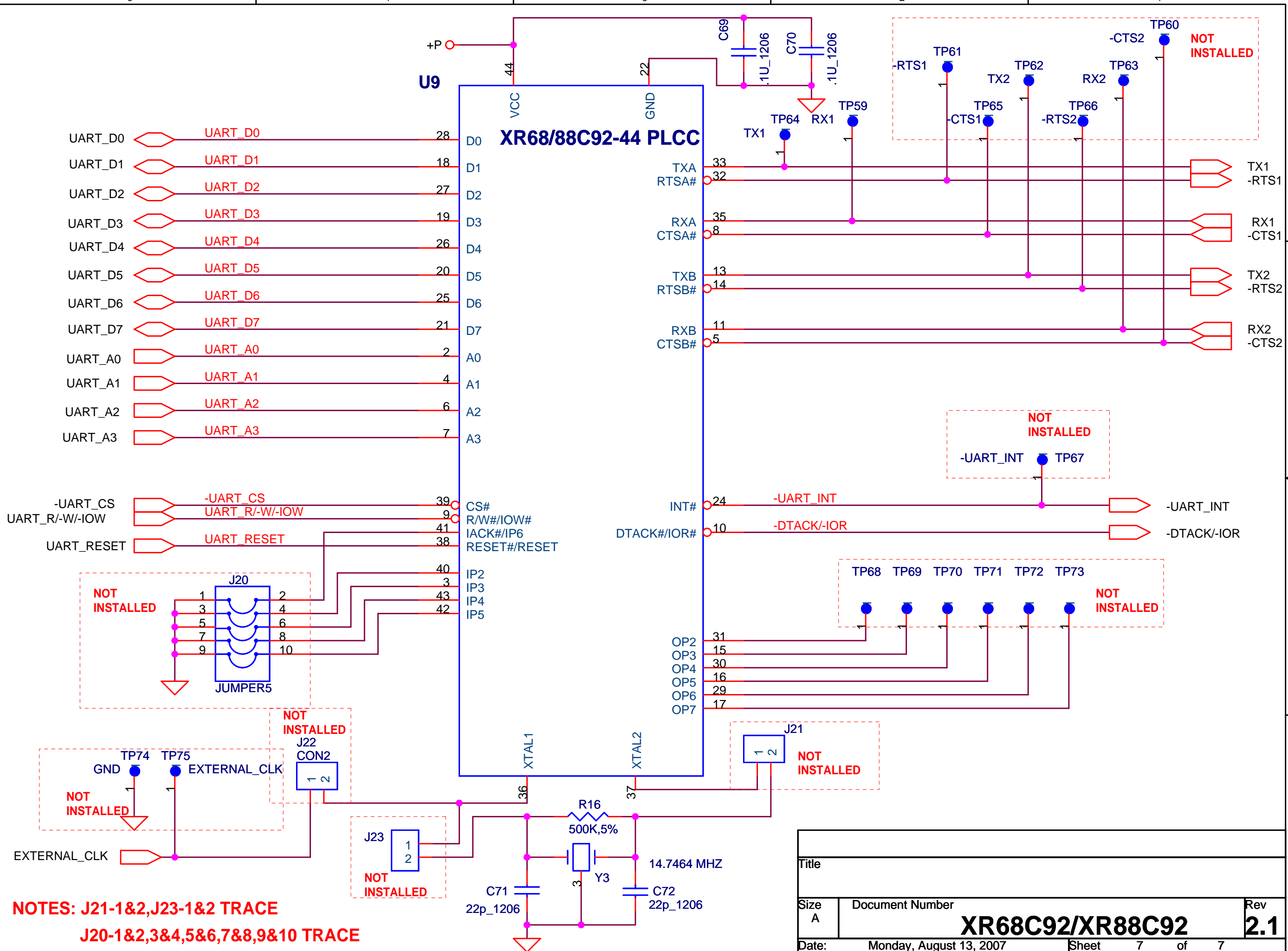
Exar		
Title XR88C92/68C92 Eval Board		
Size A	Document Number XR68C92/XR88C92	Rev 2.1
Date: Monday, August 13, 2007	Sheet 5	of 7



J13-1&2-ADDRESS 400
J13-3&4-ADDRESS 4E0
J13-5&6-ADDRESS 500
J13-7&8-ADDRESS 5E0

NOTE:FOR U8-8-11 TRACE

Exar Corporation		
Title		
XR68C92/XR88C92 Eval Board		
Size	Document Number	Rev
B	XR68C92/XR88C92	2.1
Date:	Monday, August 13, 2007	Sheet 6 of 7



NOTES: J21-1&2, J23-1&2 TRACE
J20-1&2, 3&4, 5&6, 7&8, 9&10 TRACE

Title		
Size A	Document Number XR68C92/XR88C92	Rev 2.1
Date:	Monday, August 13, 2007	Sheet 7 of 7