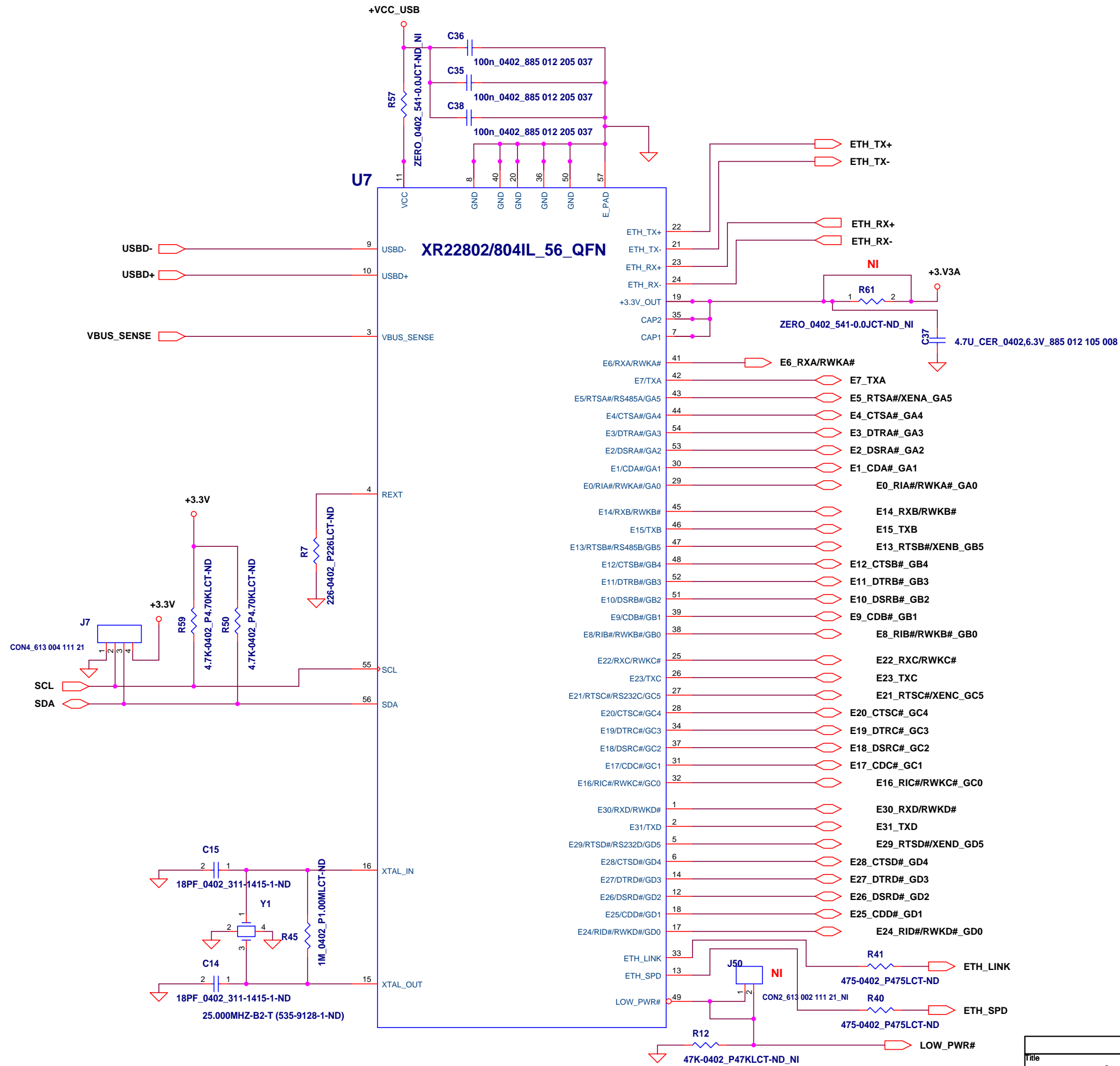


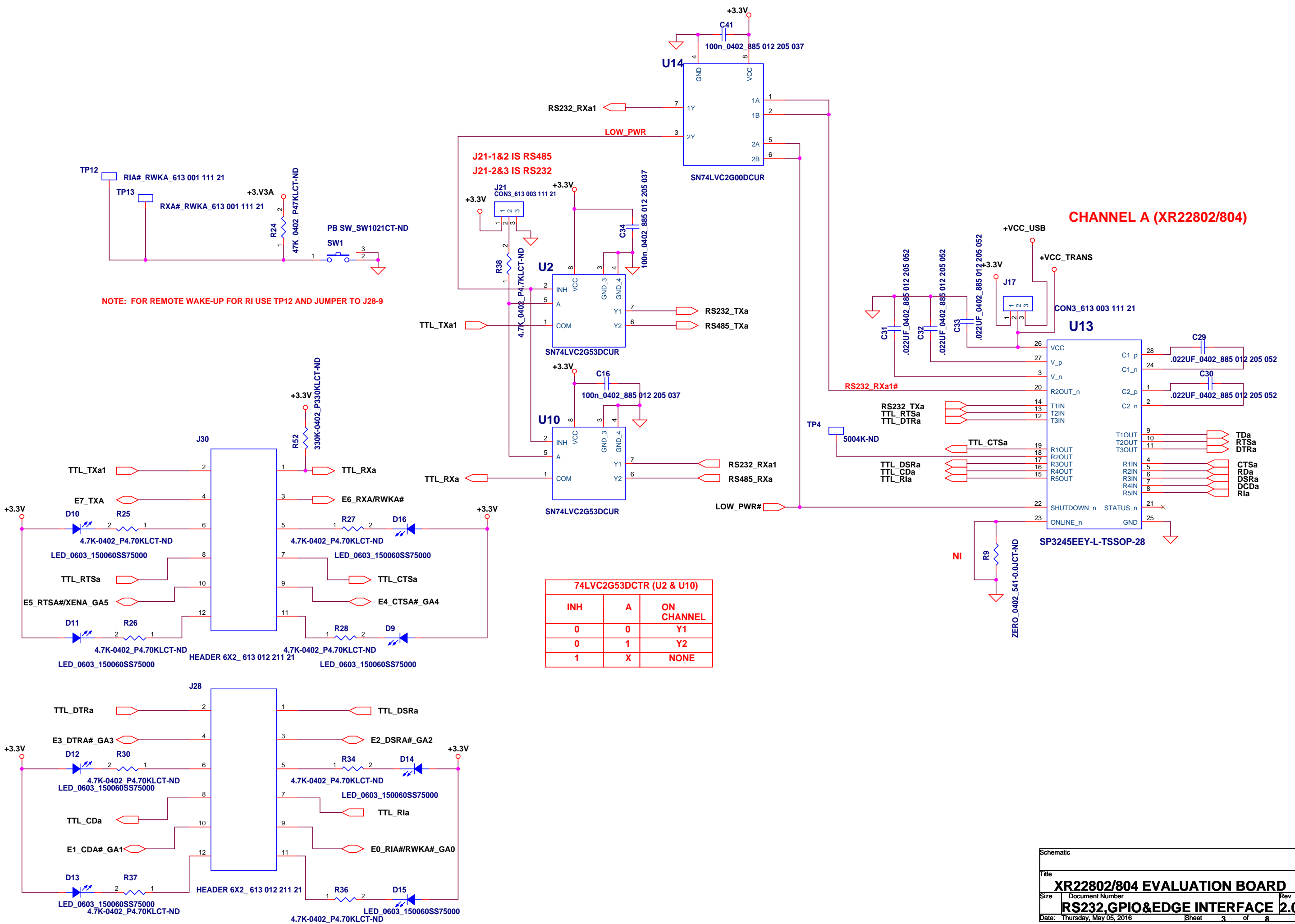
- NOTES:**
- 1) Cut Trace R8,R14, R16, R17, R35 & R55
 - 2) D24,D32 & D40 not used
 - 3) Cut trace on R53 if using external +3.3V
 - 4) NI Means - NOT INSTALLED

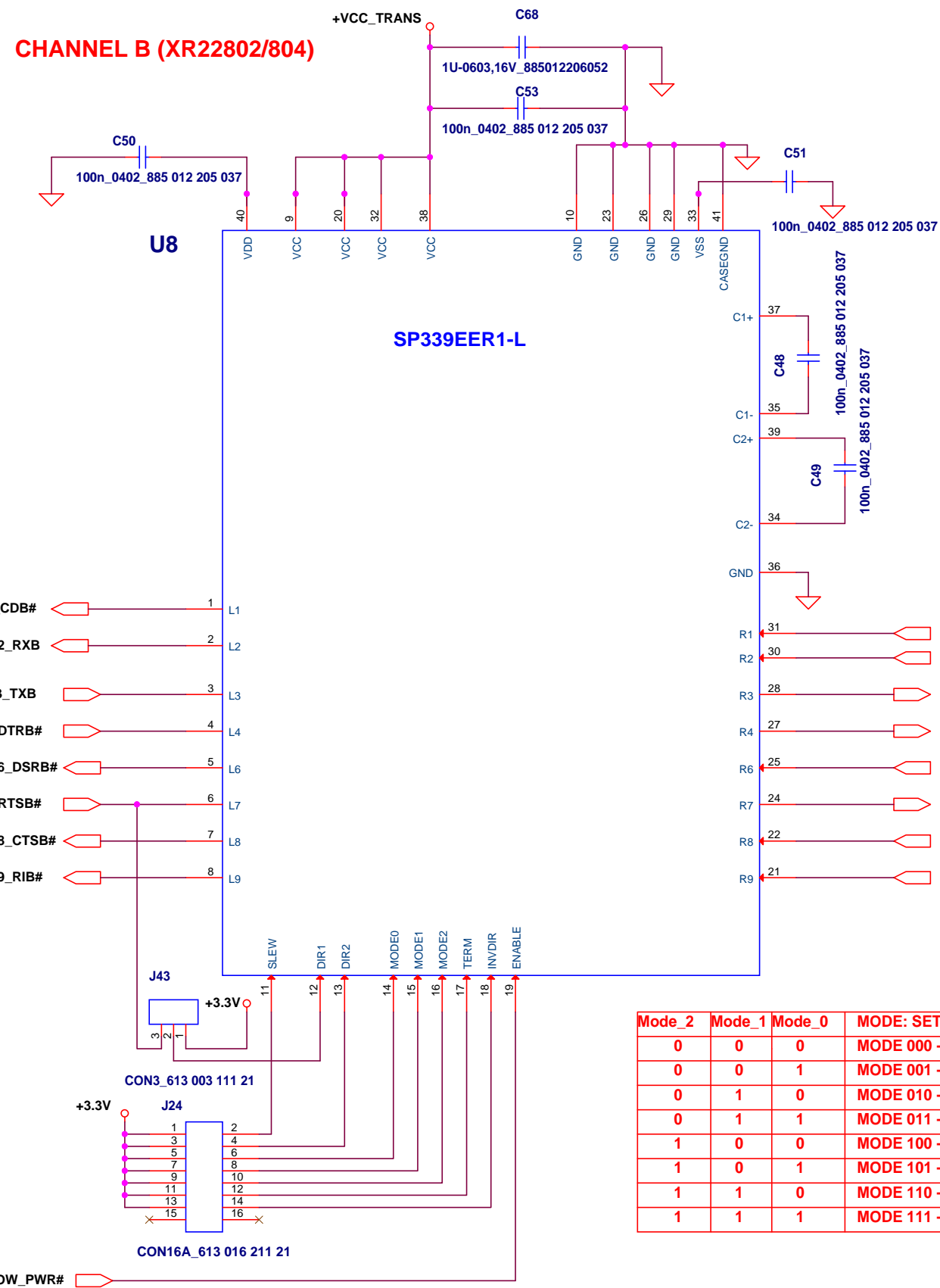
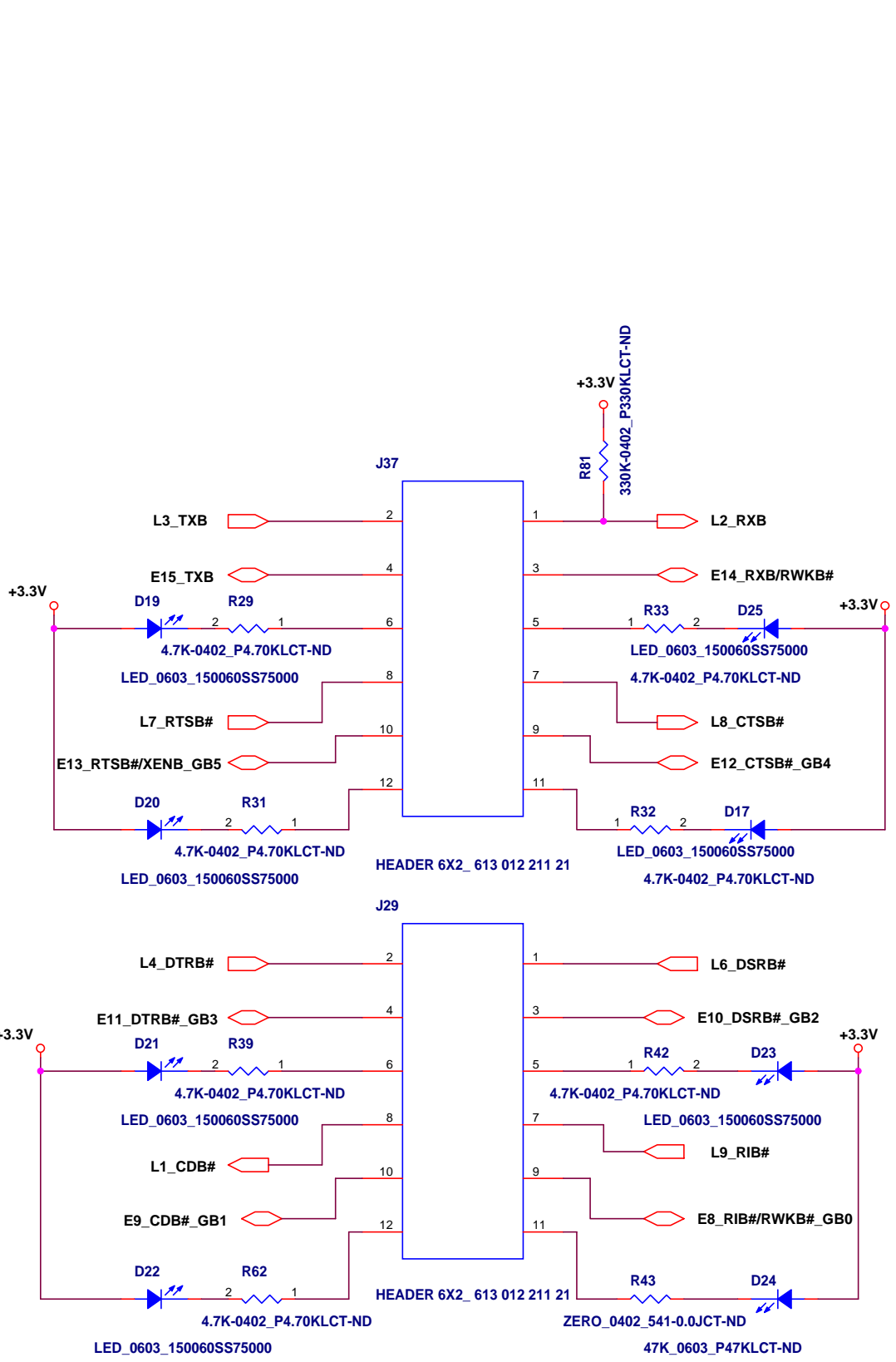
5/5/2016

Title		
XR22802/4IL56 EVALUATION BOARD		
Size	Document Number	Rev
		POWER AND IR INTERFACE 2.0
Date:	Thursday, May 05, 2016	Sheet 1 of 8



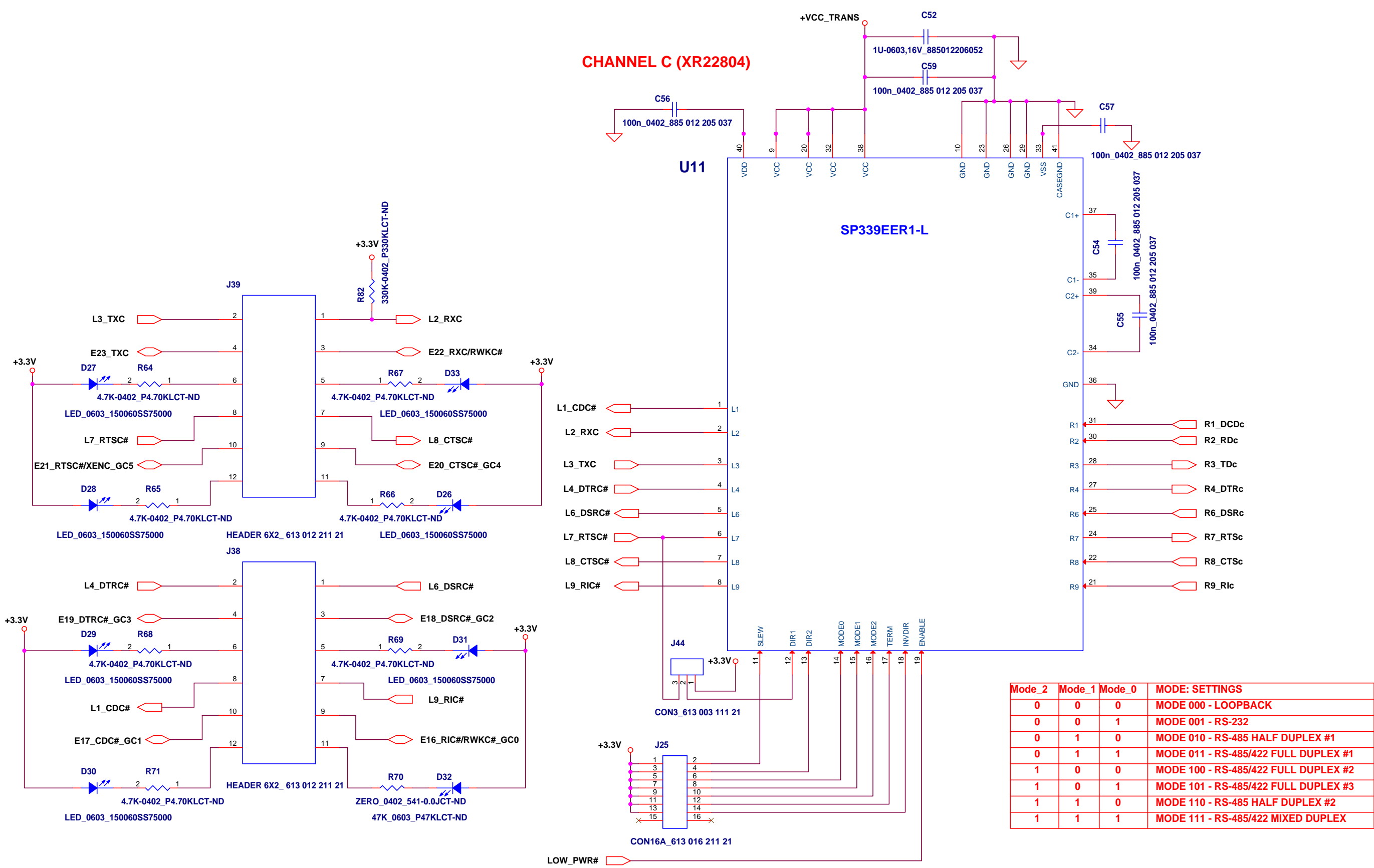
Title		
XR22802/804 EVALUATION BOARD		
Size	Document Number	Rev
Custom	XR22802 804 INTERFACE	2.0
Date:	Thursday, May 05, 2016	Sheet 2 of 8



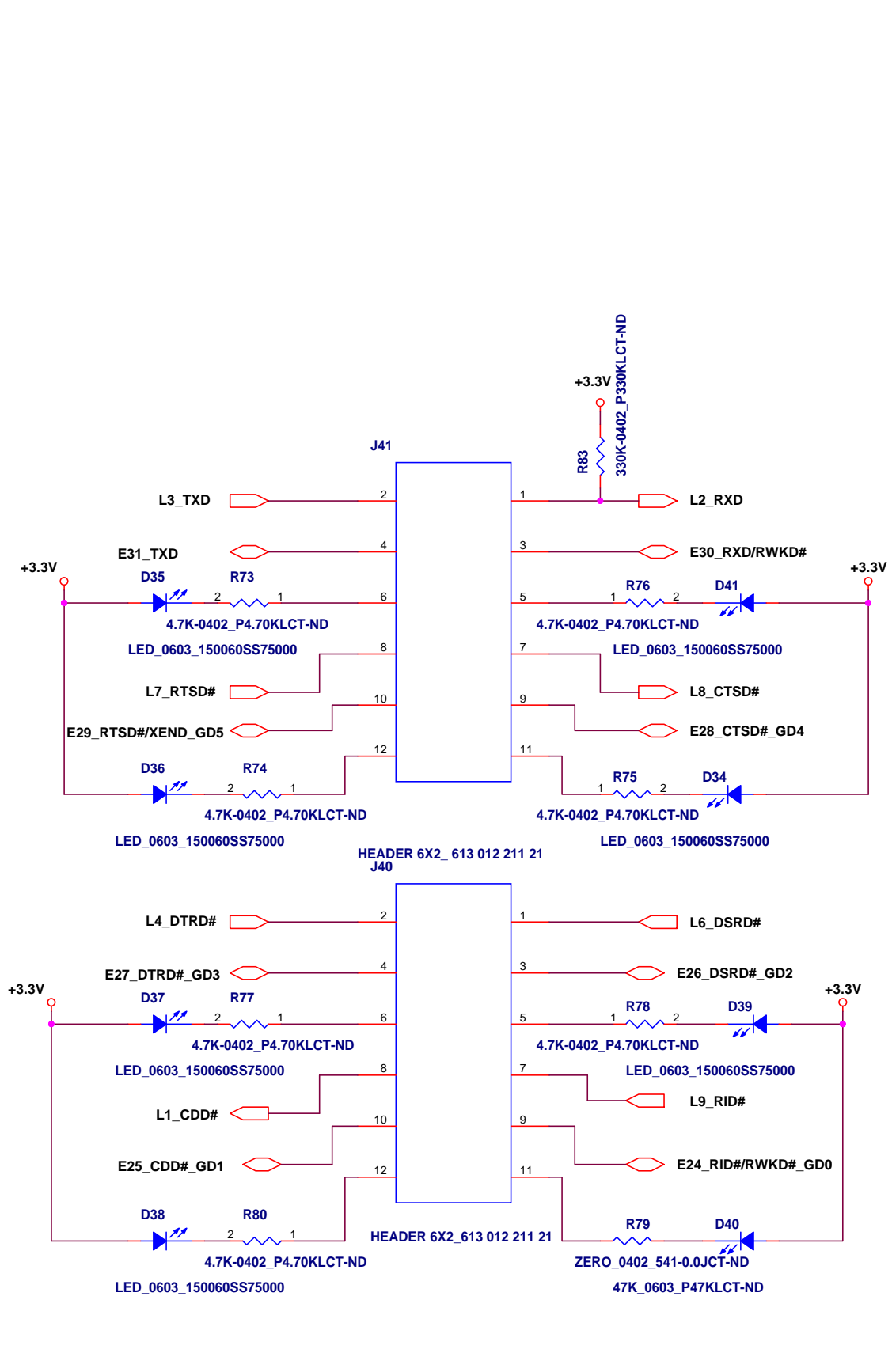


Mode_2	Mode_1	Mode_0	MODE: SETTINGS
0	0	0	MODE 000 - LOOPBACK
0	0	1	MODE 001 - RS-232
0	1	0	MODE 010 - RS-485 HALF DUPLEX #1
0	1	1	MODE 011 - RS-485/422 FULL DUPLEX #1
1	0	0	MODE 100 - RS-485/422 FULL DUPLEX #2
1	0	1	MODE 101 - RS-485/422 FULL DUPLEX #3
1	1	0	MODE 110 - RS-485 HALF DUPLEX #2
1	1	1	MODE 111 - RS-485/422 MIXED DUPLEX

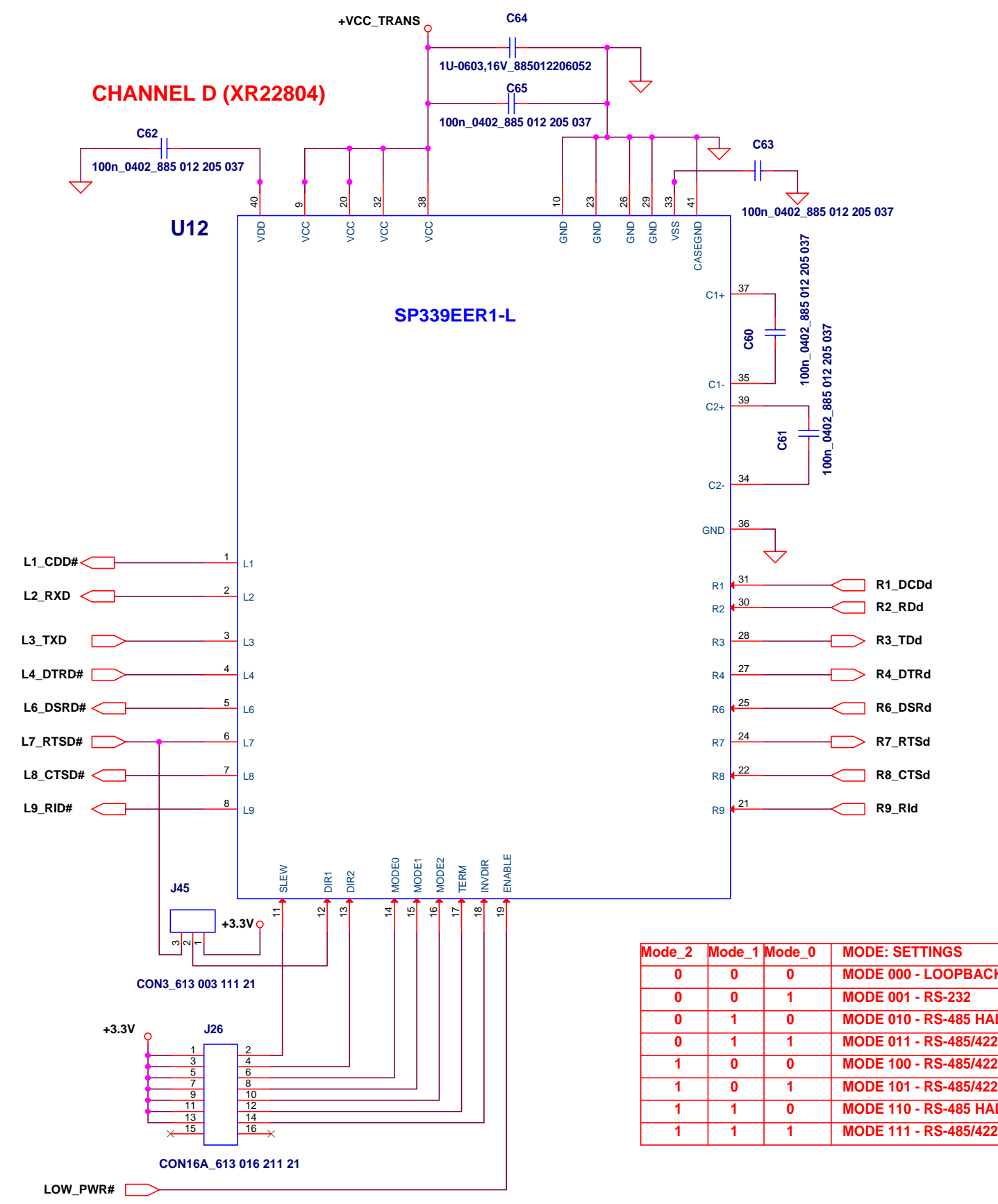
CHANNEL C (XR22804)



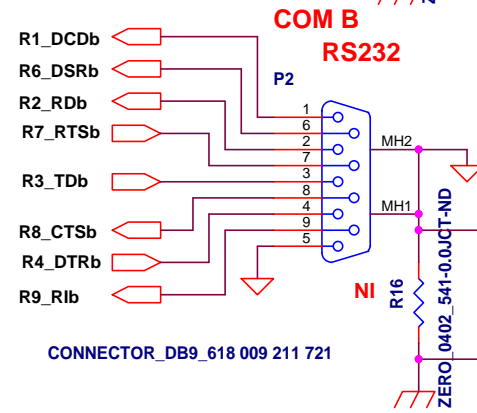
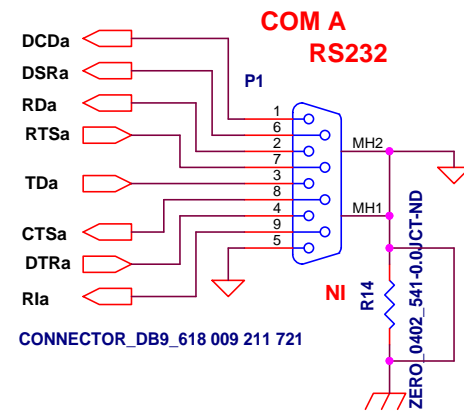
Mode_2	Mode_1	Mode_0	MODE: SETTINGS
0	0	0	MODE 000 - LOOPBACK
0	0	1	MODE 001 - RS-232
0	1	0	MODE 010 - RS-485 HALF DUPLEX #1
0	1	1	MODE 011 - RS-485/422 FULL DUPLEX #1
1	0	0	MODE 100 - RS-485/422 FULL DUPLEX #2
1	0	1	MODE 101 - RS-485/422 FULL DUPLEX #3
1	1	0	MODE 110 - RS-485 HALF DUPLEX #2
1	1	1	MODE 111 - RS-485/422 MIXED DUPLEX



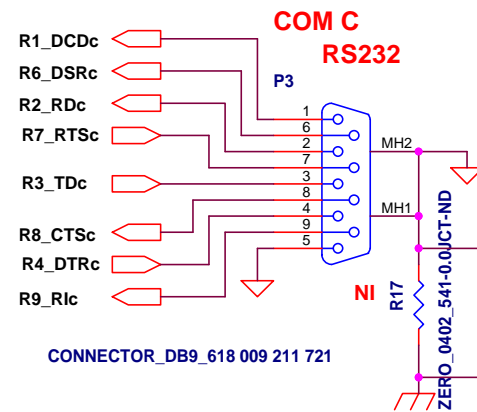
CHANNEL D (XR22804)



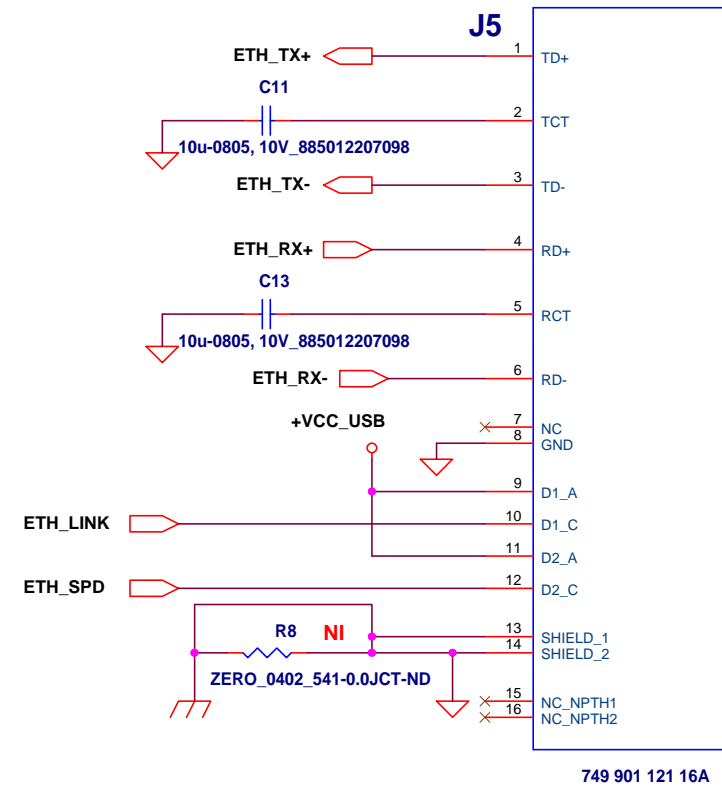
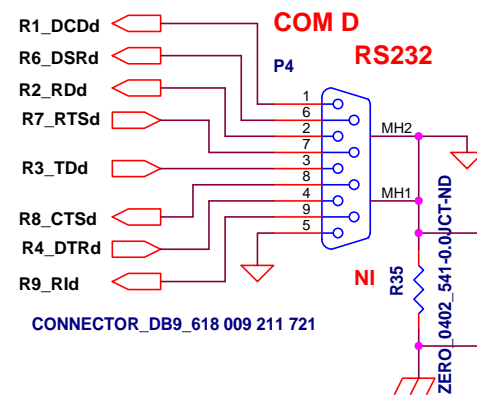
Mode_2	Mode_1	Mode_0	MODE: SETTINGS
0	0	0	MODE 000 - LOOPBACK
0	0	1	MODE 001 - RS-232
0	1	0	MODE 010 - RS-485 HALF DUPLEX #1
0	1	1	MODE 011 - RS-485/422 FULL DUPLEX #1
1	0	0	MODE 100 - RS-485/422 FULL DUPLEX #2
1	0	1	MODE 101 - RS-485/422 FULL DUPLEX #3
1	1	0	MODE 110 - RS-485 HALF DUPLEX #2
1	1	1	MODE 111 - RS-485/422 MIXED DUPLEX



NOT INSTALLED FOR XR22802

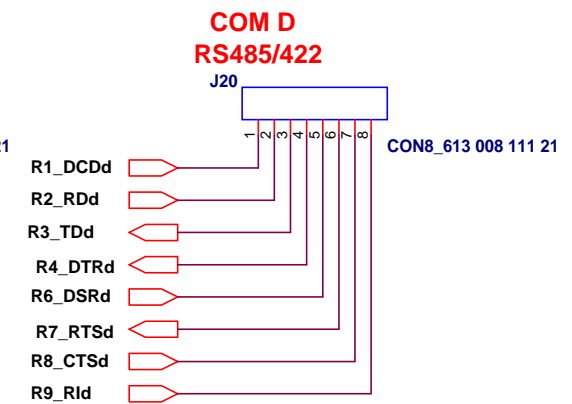
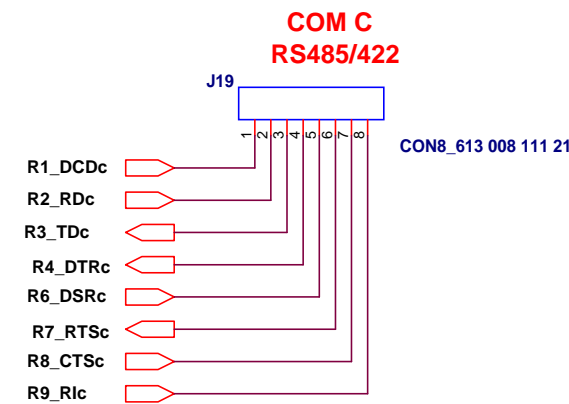
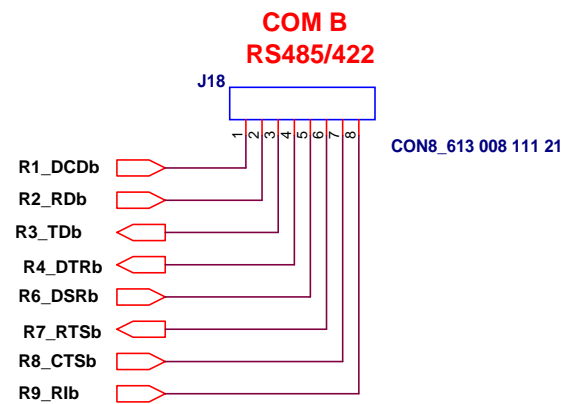


NOT INSTALLED FOR XR22802



NOT INSTALLED FOR XR22802

NOT INSTALLED FOR XR22802



Title		
XR22B02/4IL56 EVALUATION BOARD		
Size	Document Number	Rev
	RS-232/485 AND ETHERNET I/O	2.0
Date:	Thursday, May 05, 2016	Sheet 8 of 8