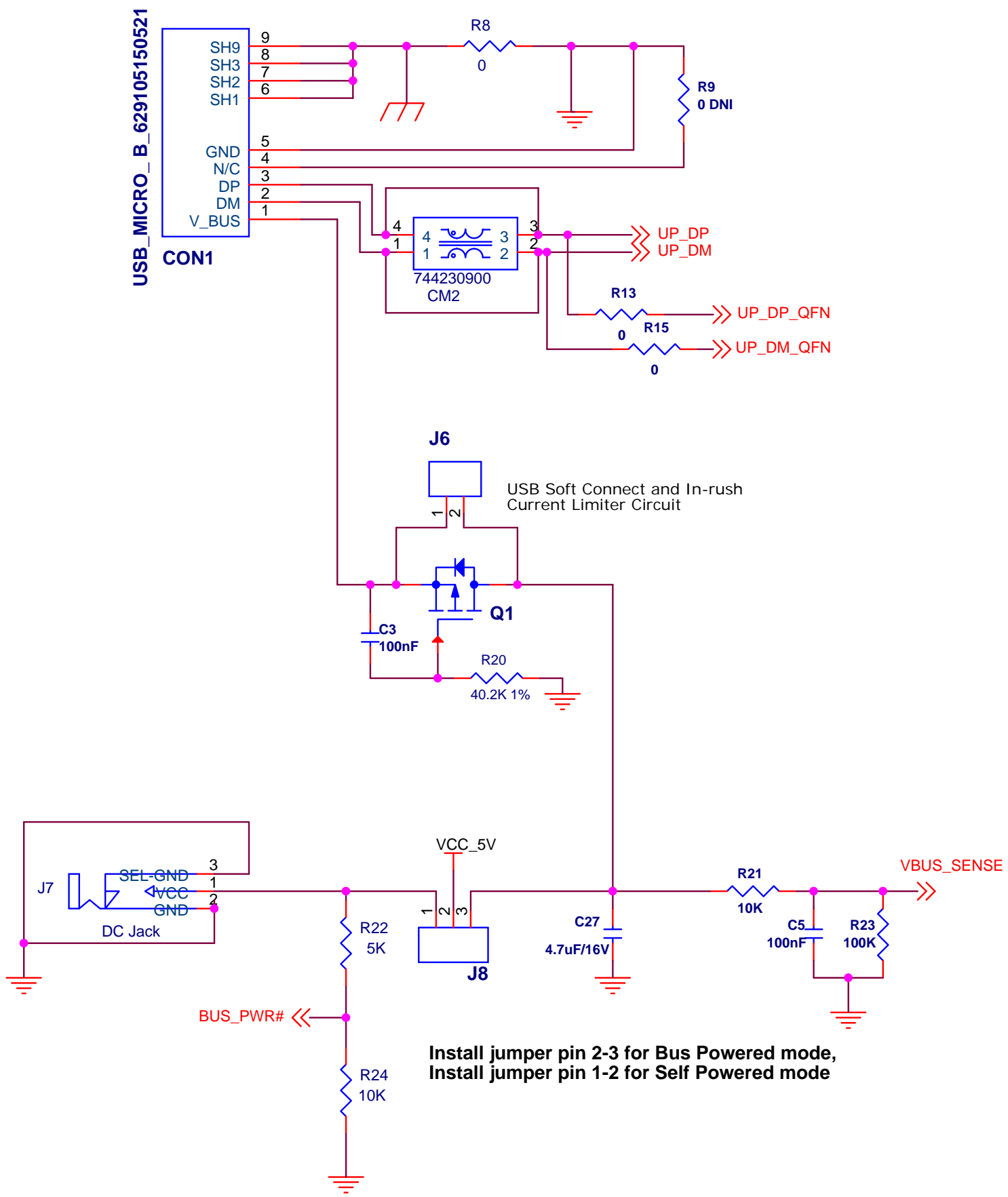


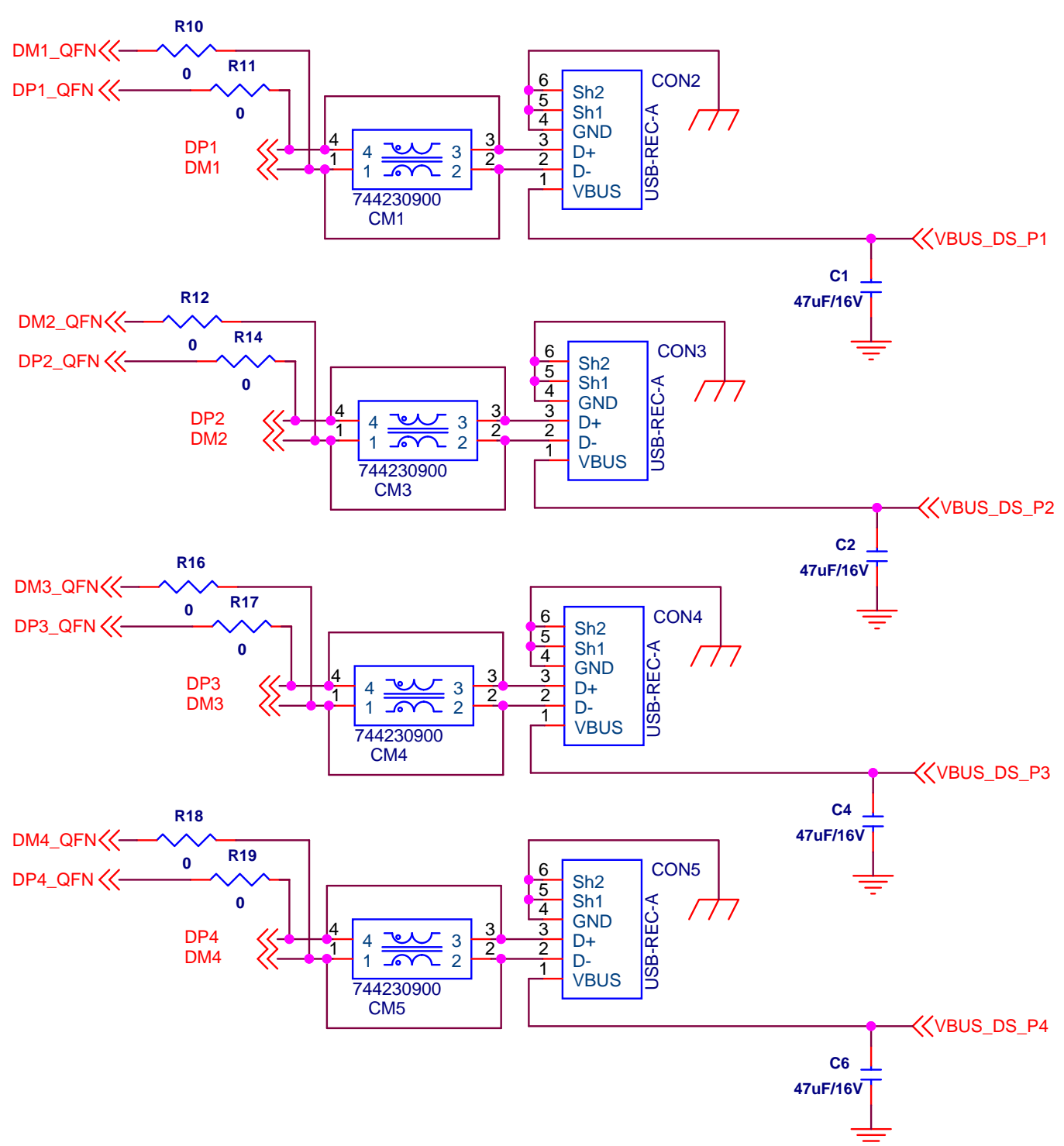
Title		
XR22414 Evaluation Board		
Size	Document Number	Rev
A4	LQFP48, QFN48 Packages	1.1
Date:	Tuesday, December 20, 2016	Sheet 1 of 4

Upstream Port



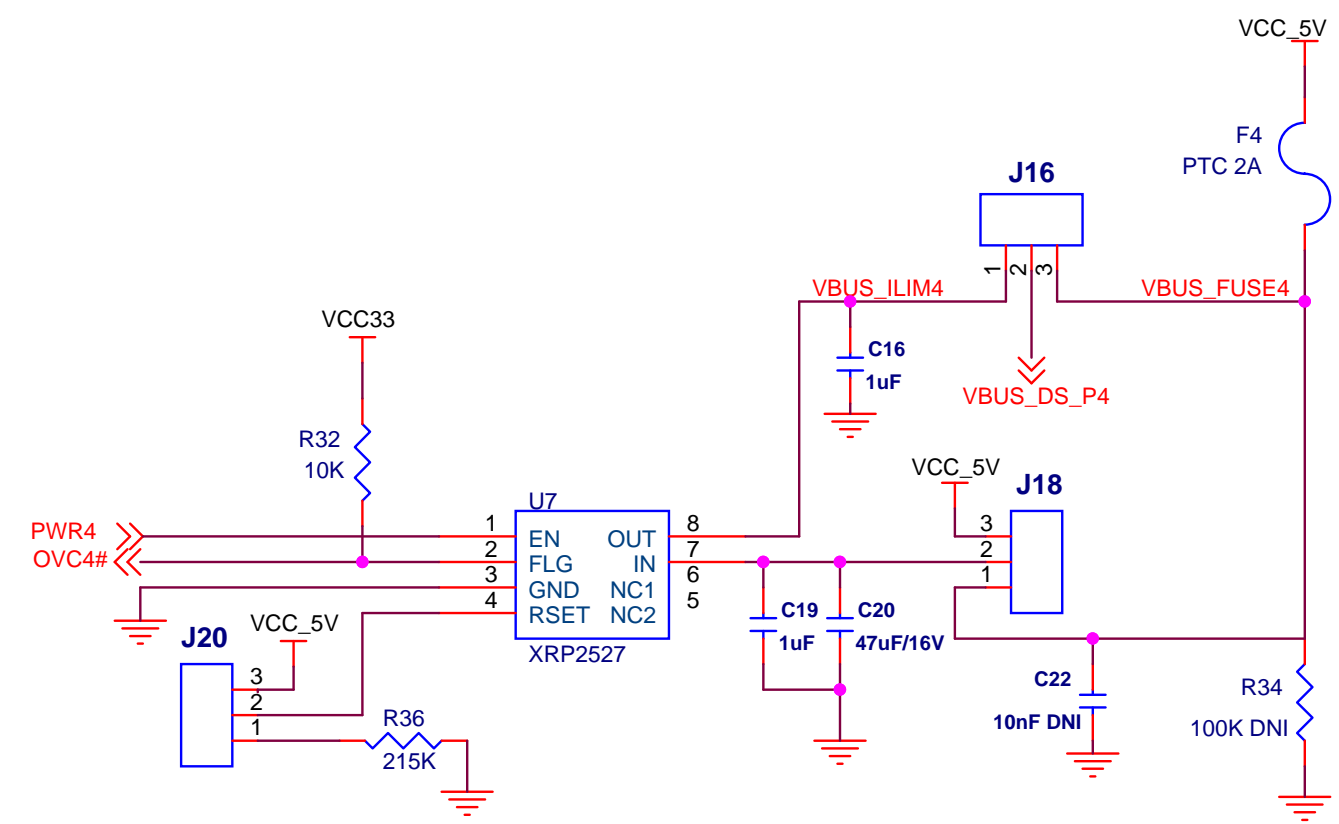
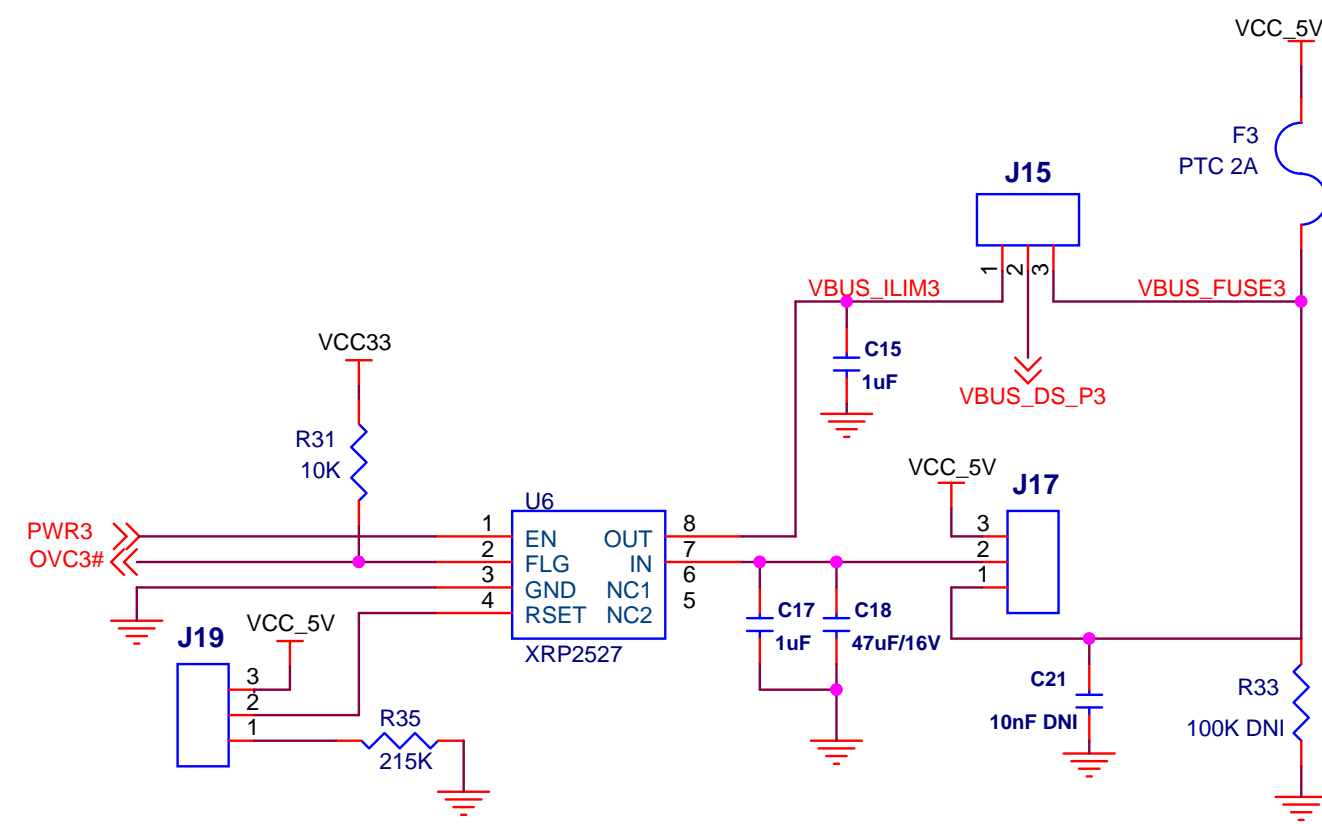
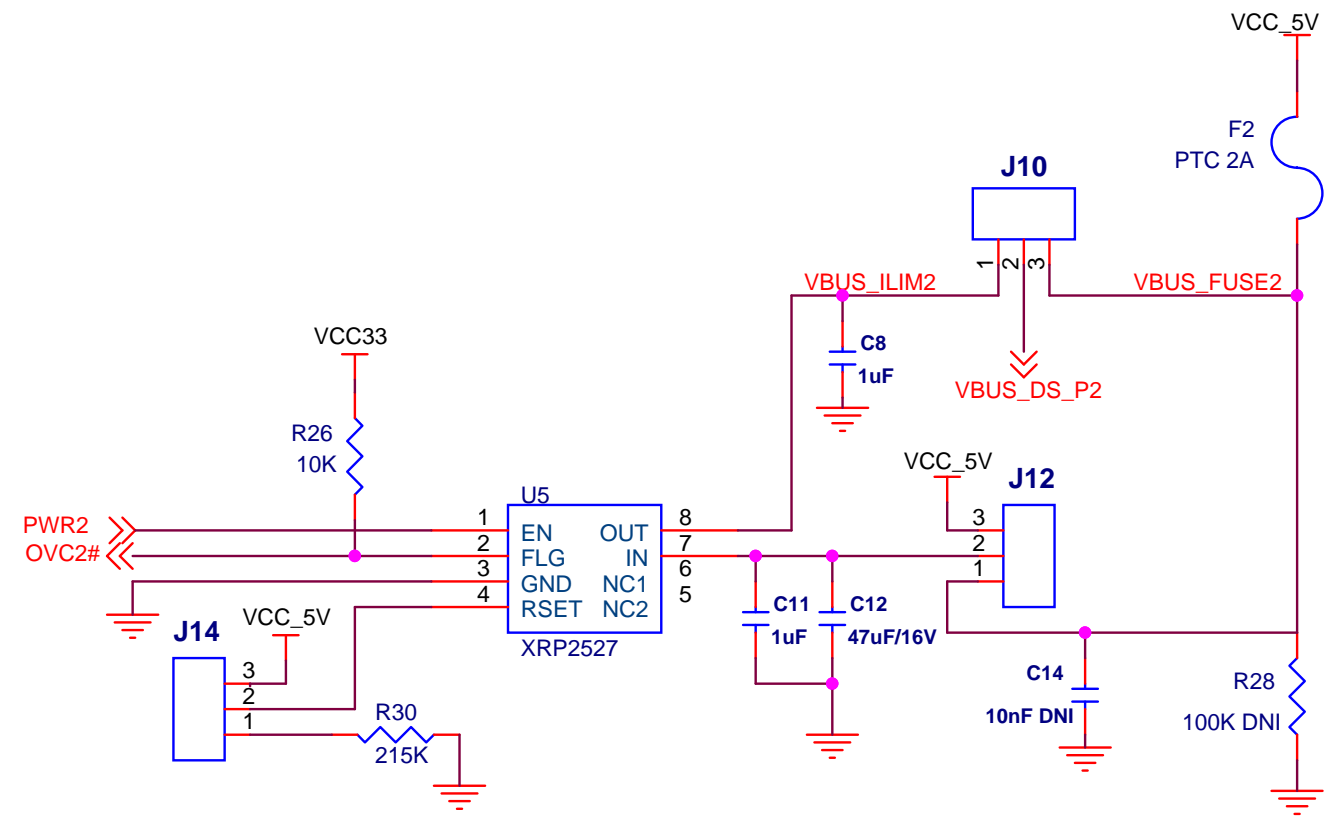
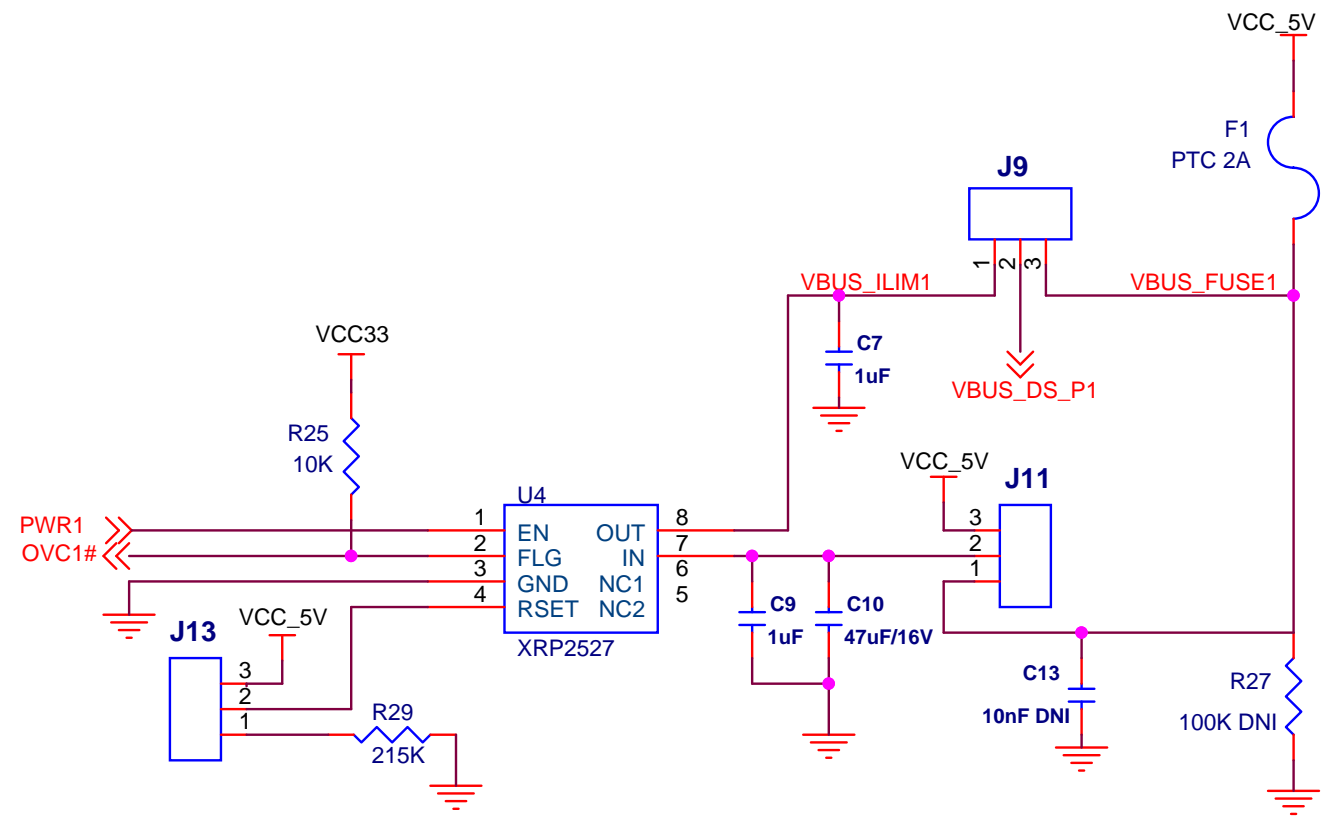
Install jumper pin 2-3 for Bus Powered mode,
Install jumper pin 1-2 for Self Powered mode

Downstream Ports

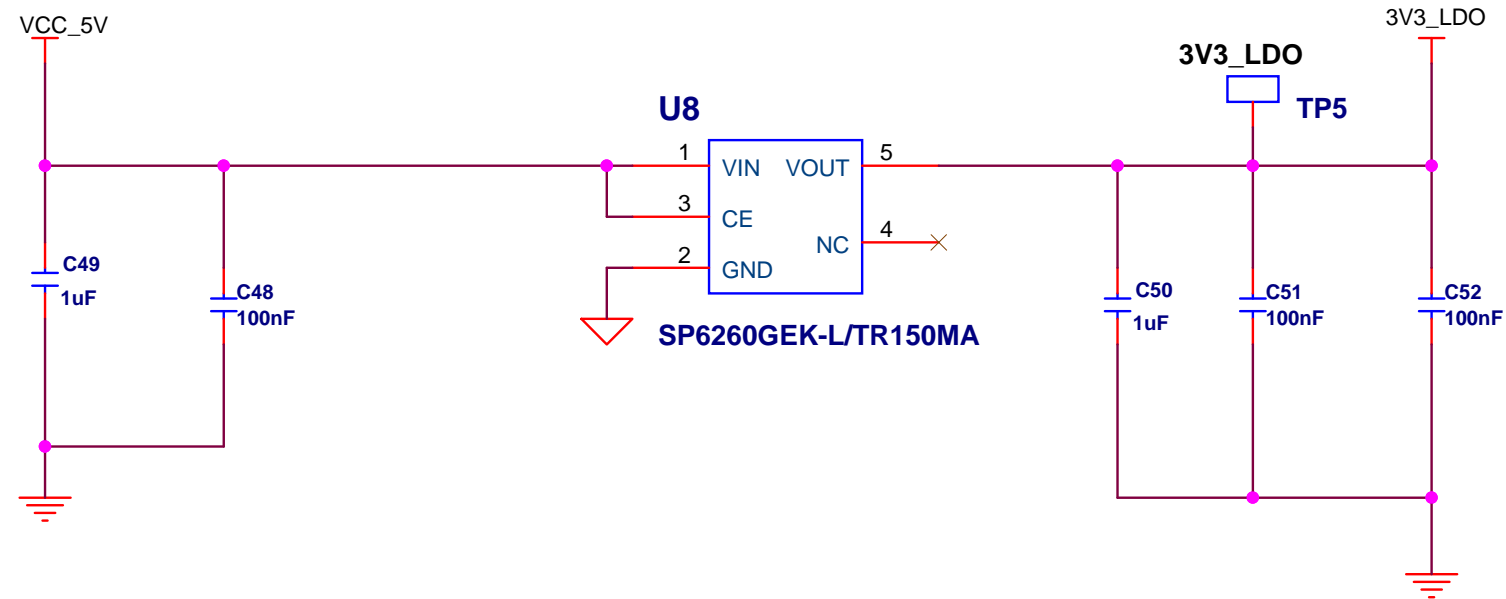
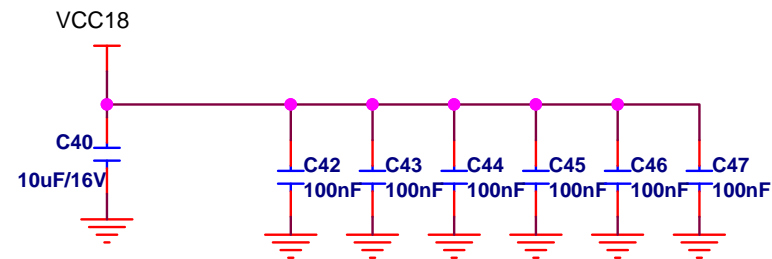
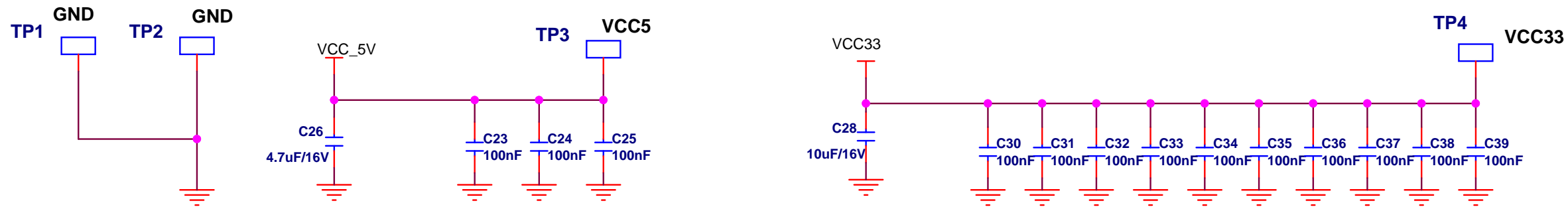


R10 - R19 DNI for LQFP48, Installed for QFN48

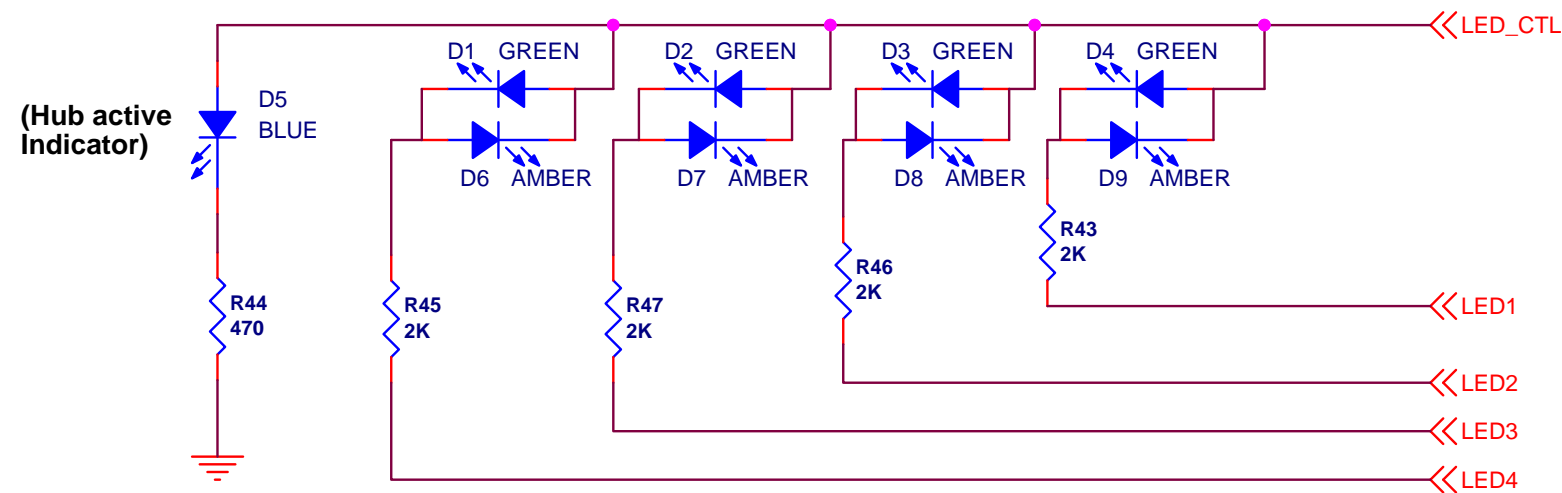
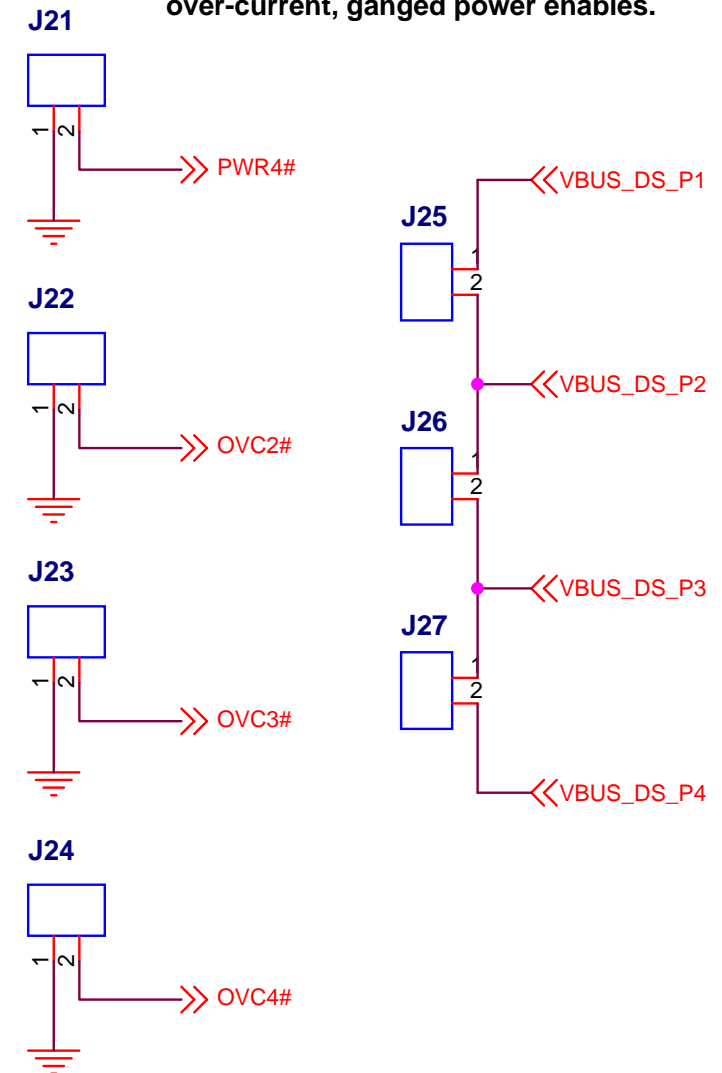
Title		
XR22414 Evaluation Board		
Size	Document Number	Rev
A4	USB Ports, Power Mode	1.1
Date:	Tuesday, December 20, 2016	Sheet 2 of 4



Title		
XR22414 Evaluation Board		
Size	Document Number	Rev
A4	Over-current Protection	1.1
Date:	Tuesday, December 20, 2016	Sheet 3 of 4



Install J22 - J25 and R37 - R42 for global over-current, ganged power enables.



Title		
XR22414 Evaluation Board		
Size	Document Number	Rev
A4	Power, decoupling, LDO	1.1
Date:	Tuesday, December 20, 2016	Sheet 4 of 4