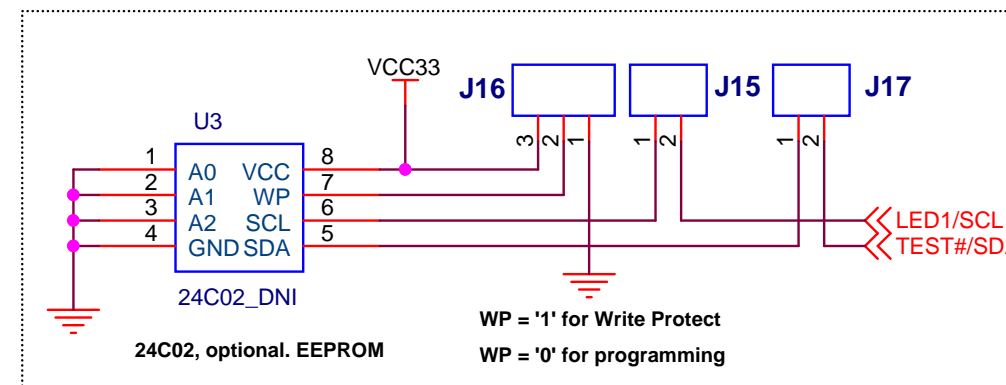
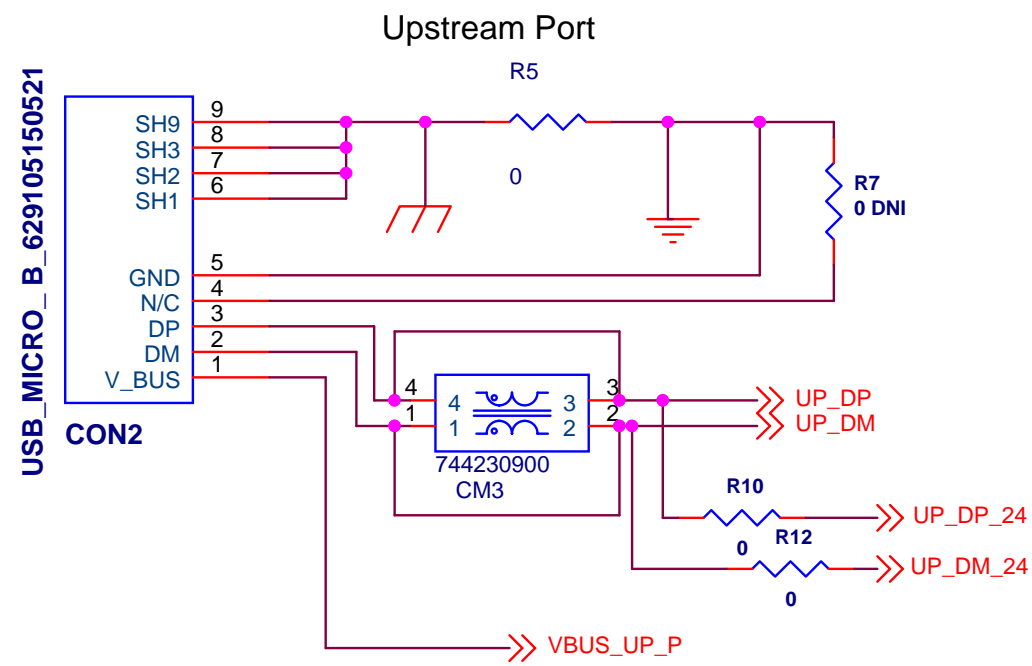


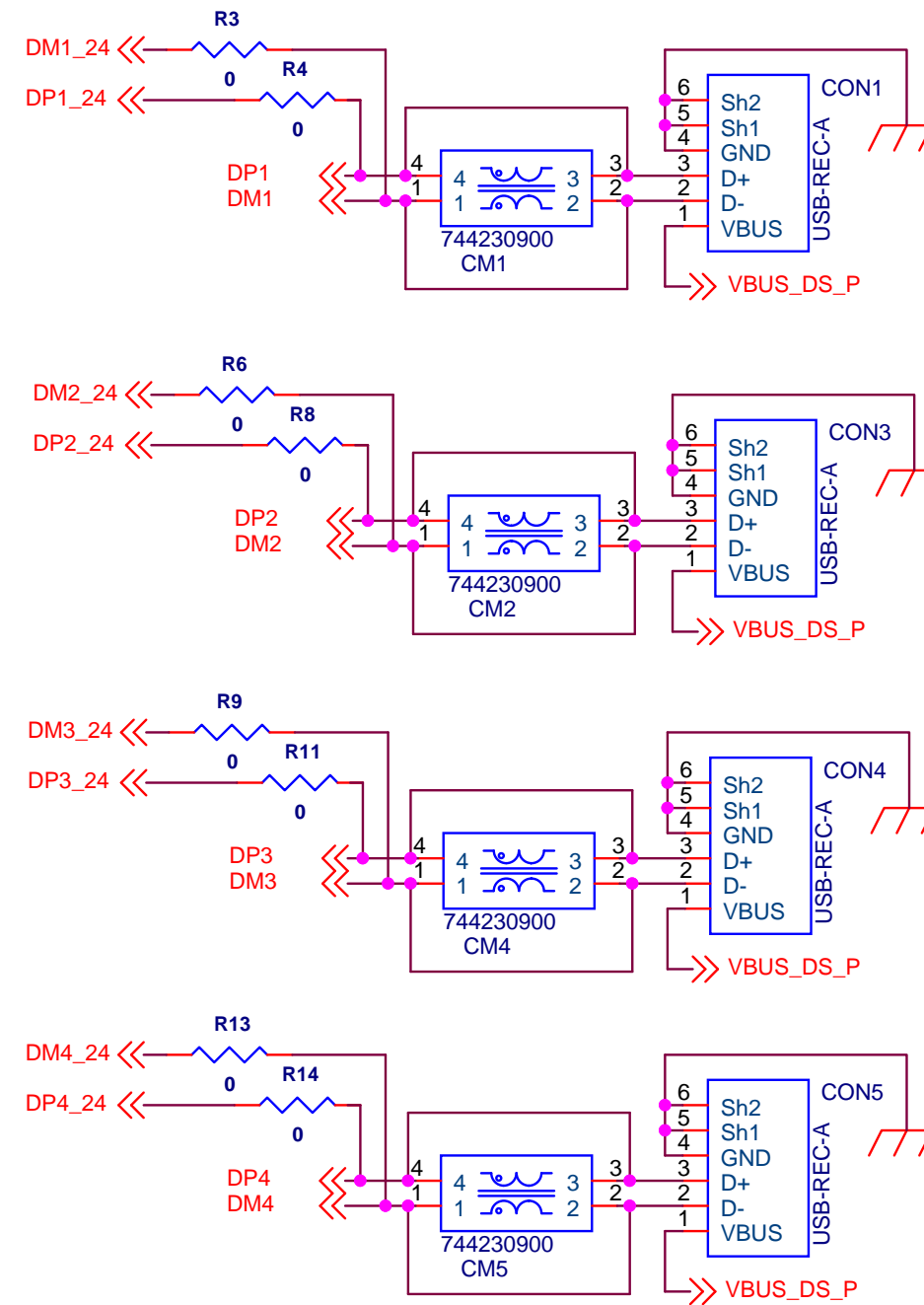
- Rev. 1.0 to 1.1: Add 10 Kohm pull-up from EXT_RST# to VCC33.
 Add U2 Center Pad (pin 25) connect to ground.
 Remove L1, add in-rush circuit
 Remove D6
 Move C8 to VBUS input
 Add EEPROM programming headers



| | | |
|--------------------------|---------------------------------------------|--------------|
| Title | | |
| XR22404 Evaluation Board | | |
| Size | Document Number | Rev |
| A4 | TSSOP28, QFN24 Packages and optional EEPROM | 1.1 |
| Date: | Friday, September 30, 2016 | Sheet 1 of 4 |

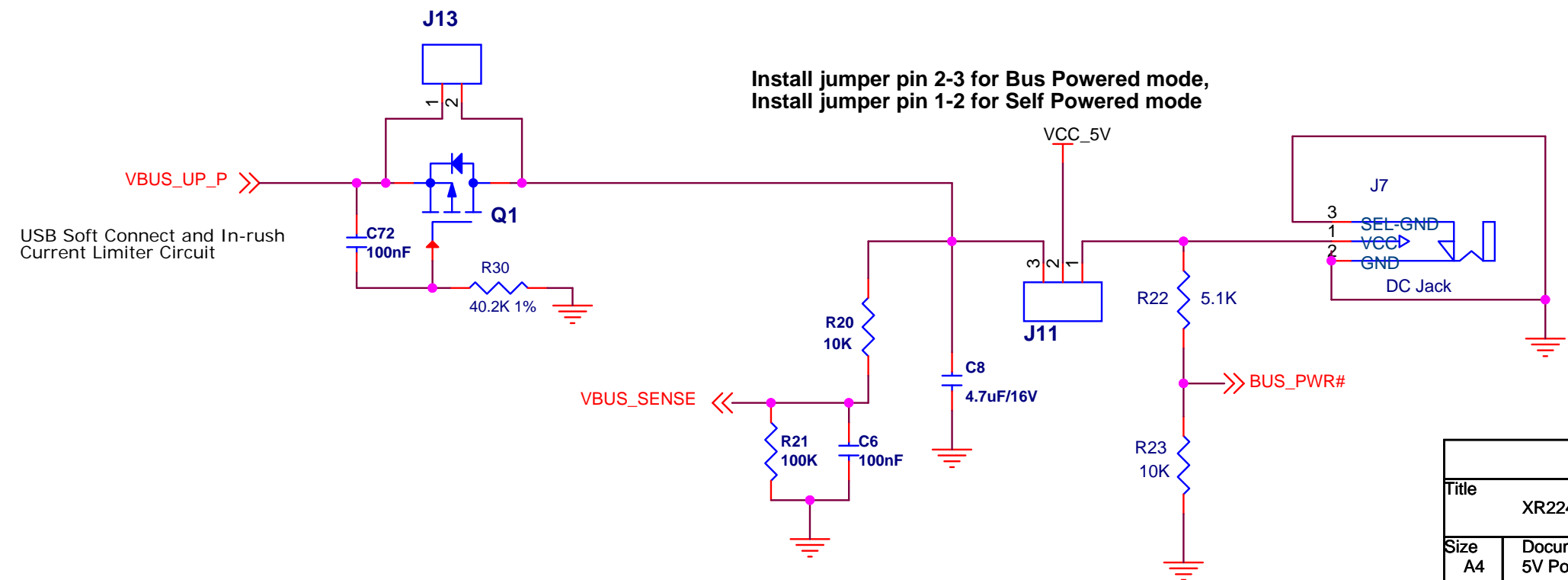
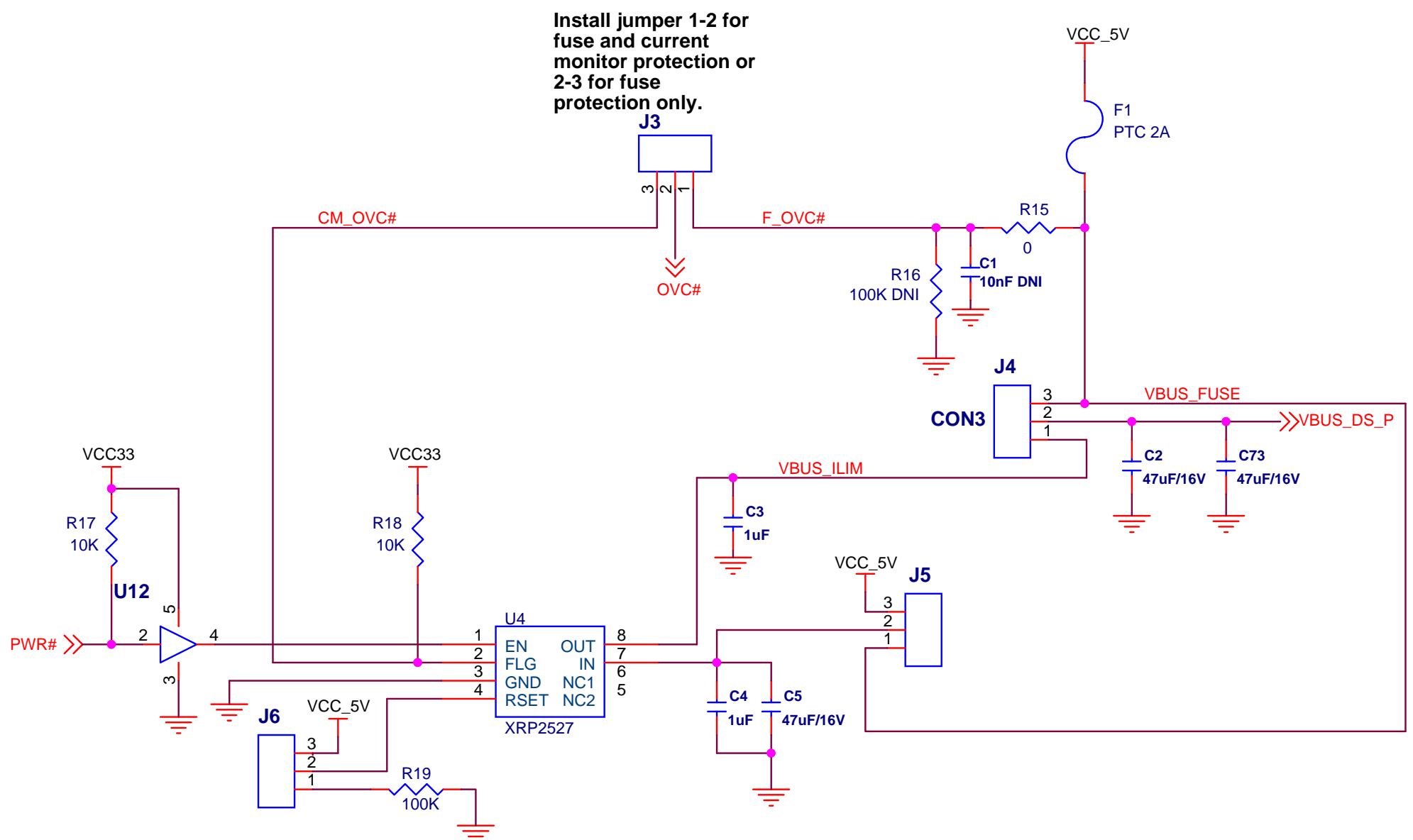


Downstream Ports

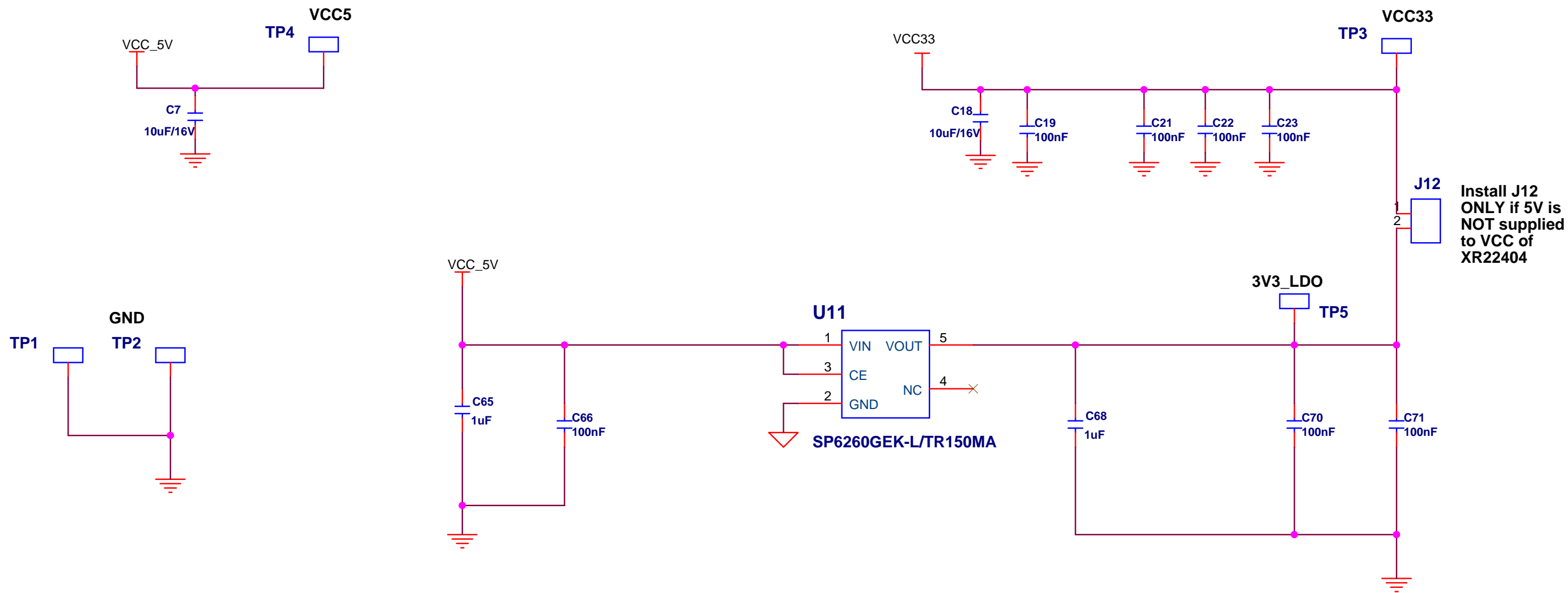


R3, R4, R6 and R8 - R14 DNI for TSSOP28 ,
Installed for QFN24

| | | |
|--------------------------|----------------------------|--------------|
| Title | | |
| XR22404 Evaluation Board | | |
| Size | Document Number | Rev |
| A4 | USB Ports | 1.1 |
| Date: | Friday, September 30, 2016 | Sheet 2 of 4 |

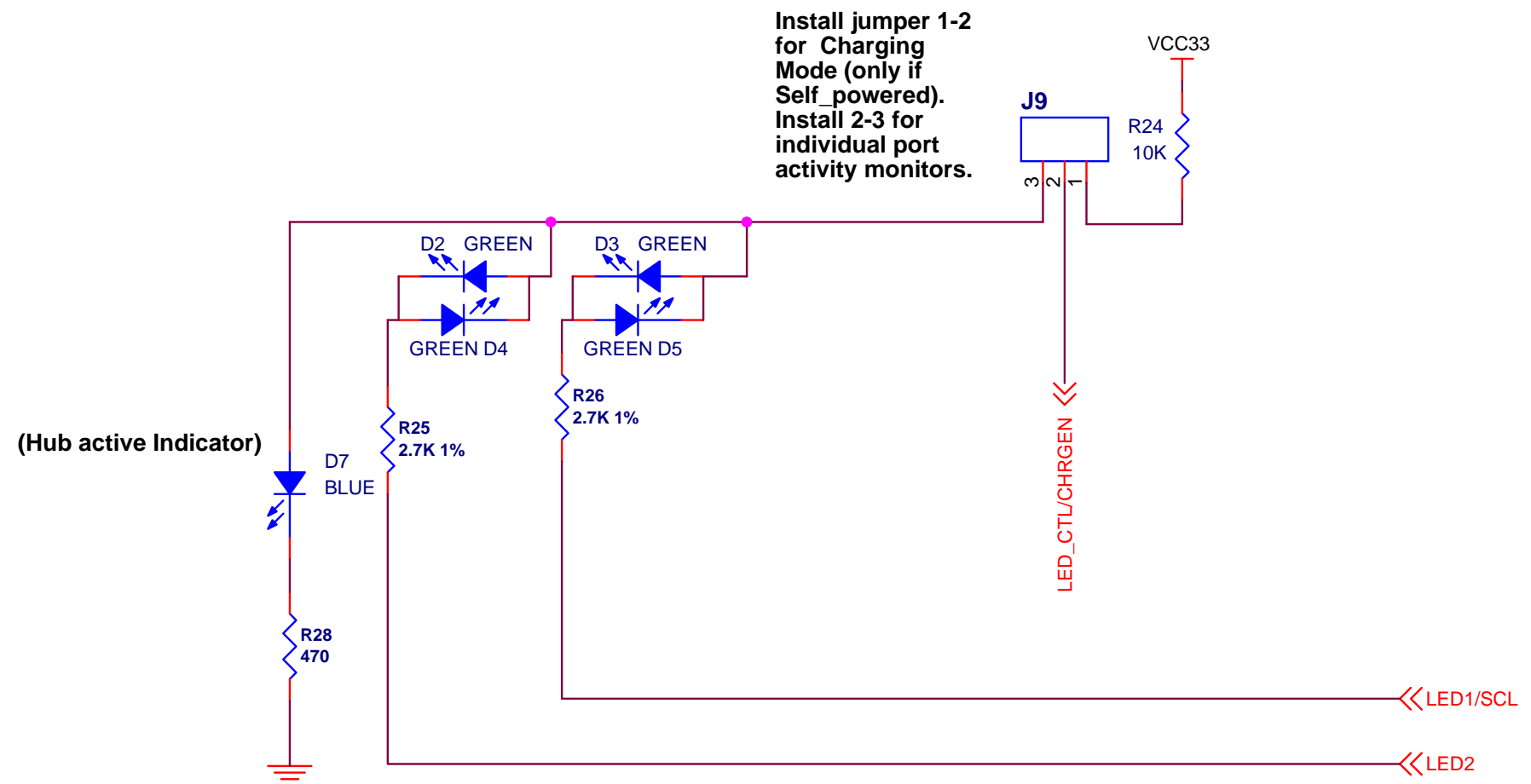


| | | |
|--------------------------|-------------------------------------|--------------|
| Title | | |
| XR22404 Evaluation Board | | |
| Size | Document Number | Rev |
| A4 | 5V Power and Overcurrent Protection | 1.1 |
| Date: | Friday, September 30, 2016 | Sheet 3 of 4 |



Install J12 ONLY if 5V is NOT supplied to VCC of XR22404

Install jumper 1-2 for Charging Mode (only if Self_powered). Install 2-3 for individual port activity monitors.



| | | |
|--------------------------|----------------------------|--------------|
| Title | | |
| XR22404 Evaluation Board | | |
| Size | Document Number | Rev |
| A4 | Power, decoupling, LDO | 1.1 |
| Date: | Friday, September 30, 2016 | Sheet 4 of 4 |