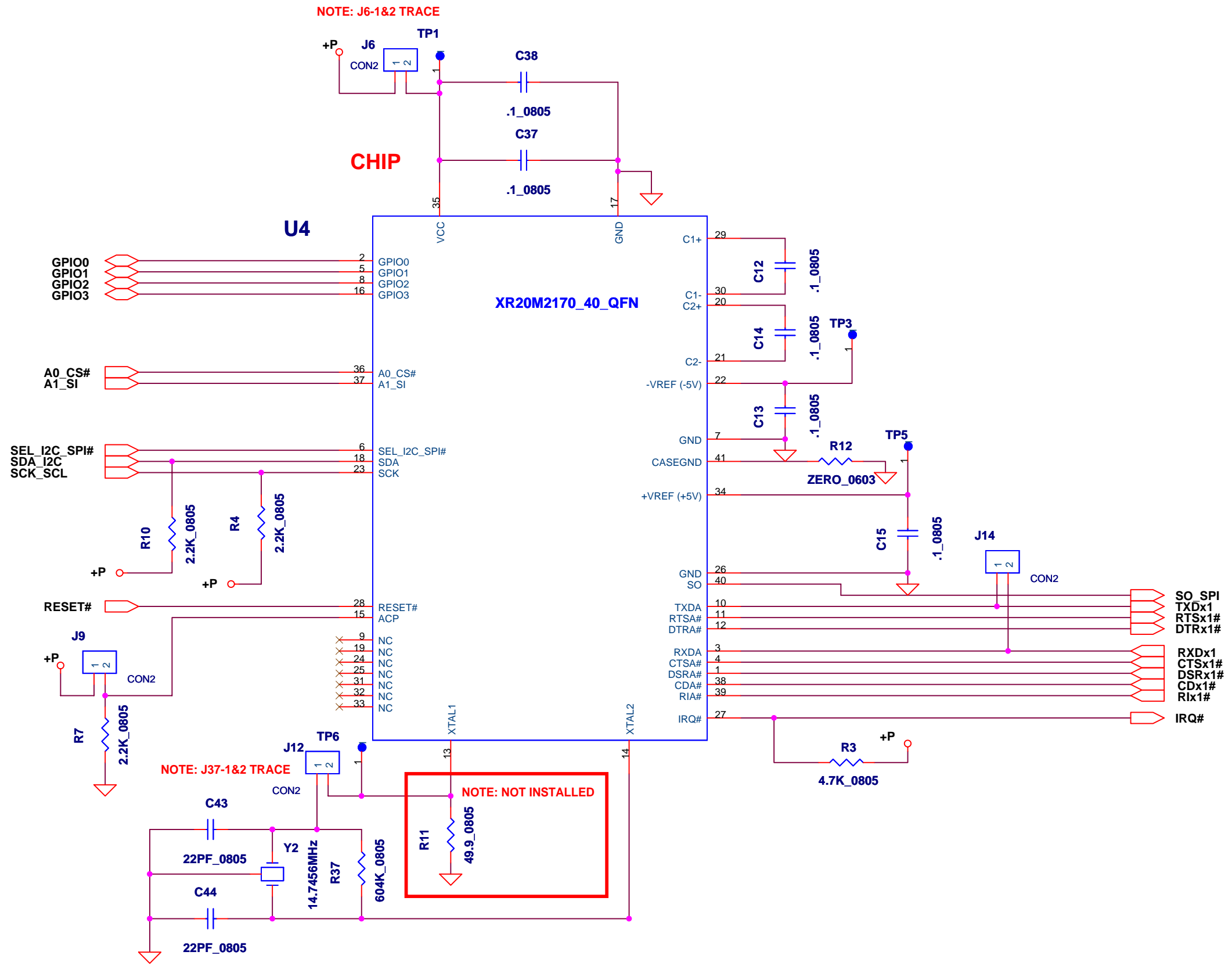


NOTE: DO NOT INSTALL

NOTE: LABEL HEADER

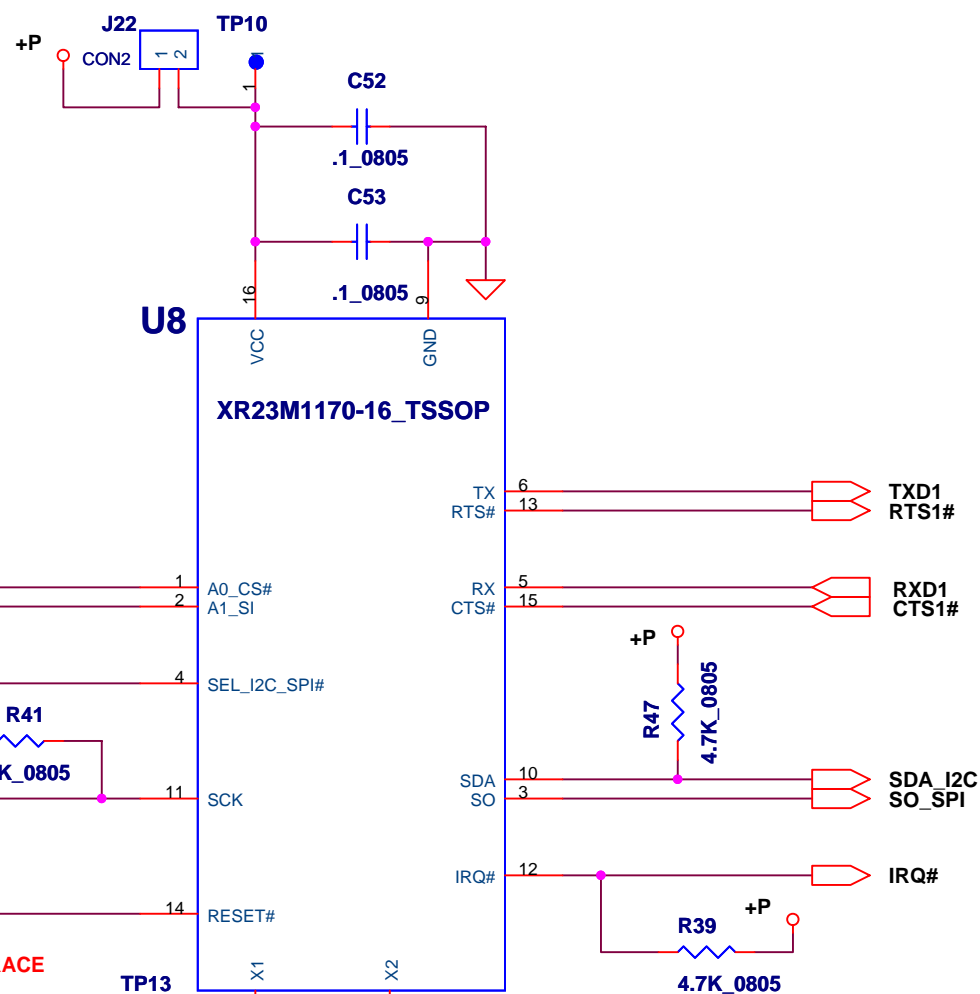
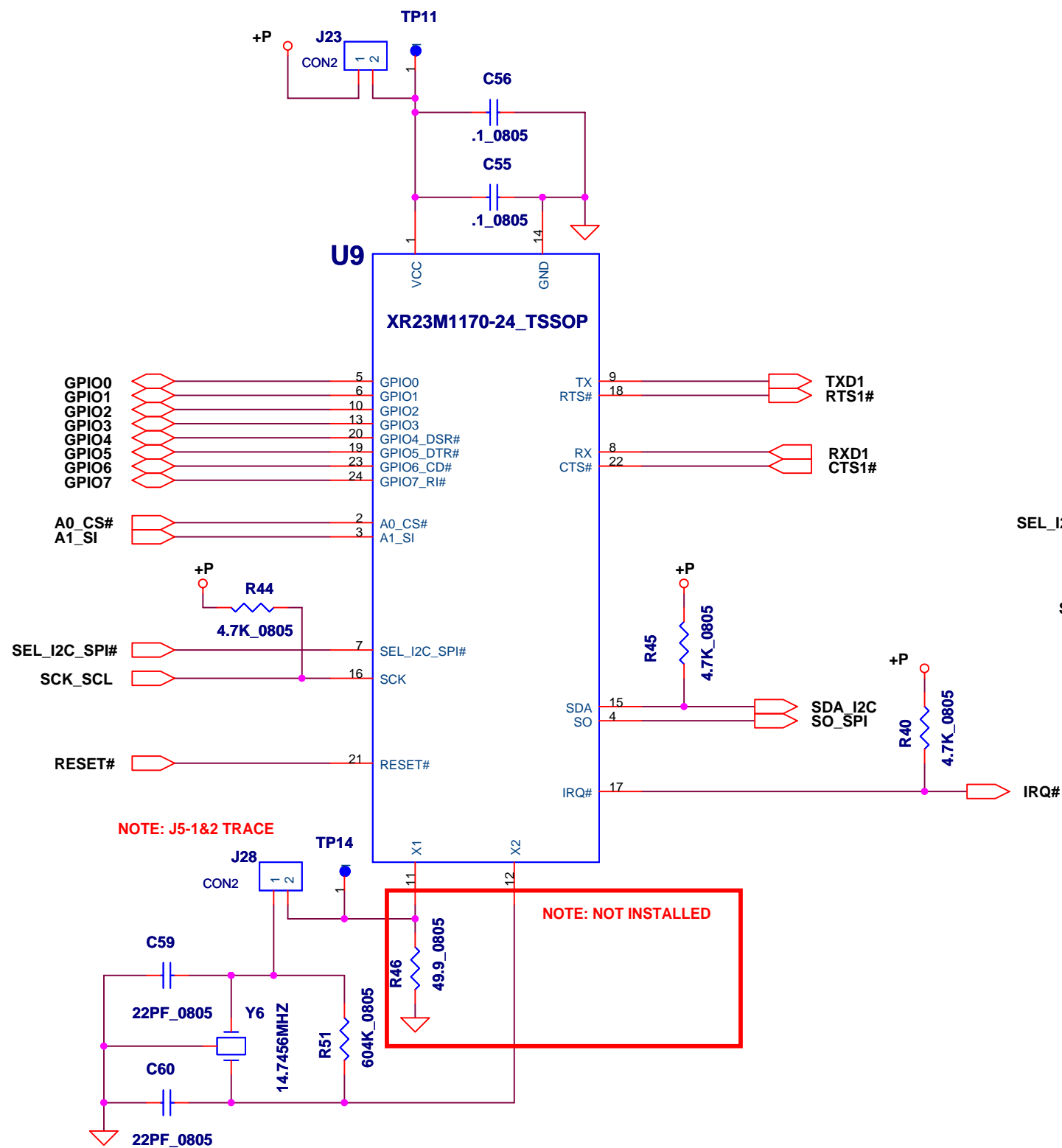
Title		
POWER AND GPIO		
Size	Document Number	Rev
Custom	20M1170 DAUGHTER I2/SPI	1.1
Date:	Tuesday, July 17, 2007	Sheet 1 of 6



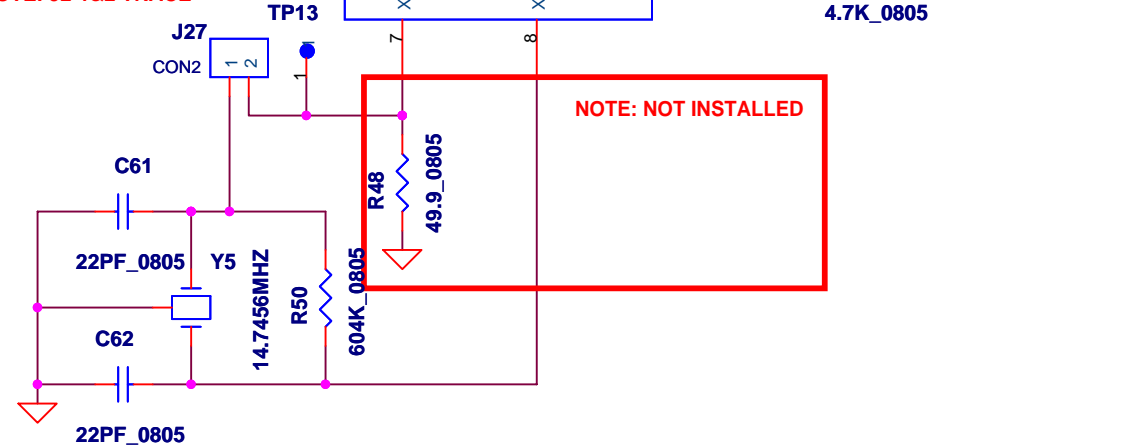
Title		
20M1170 40 QFN COMBO INTERFACE		
Size	Document Number	Rev
Custom	20M1170 DAUGHTER I2/SPI	1.1
Date:	Tuesday, July 17, 2007	Sheet 2 of 6

NOTE: J9-1&2 TRACE

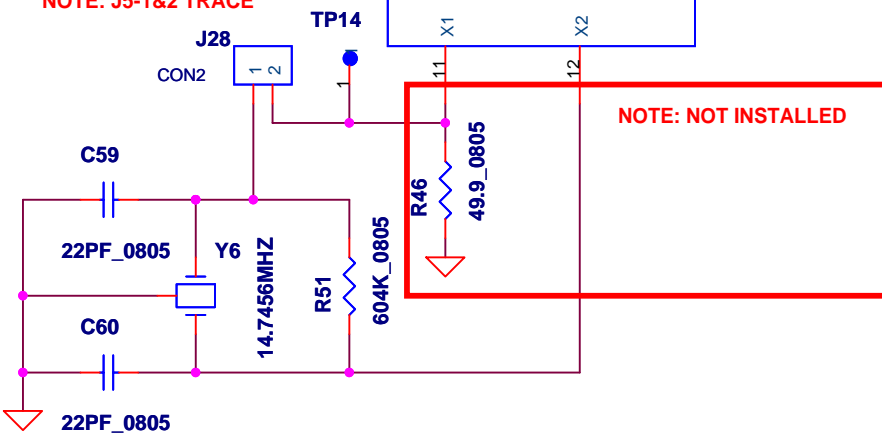
NOTE: J3-1&2 TRACE



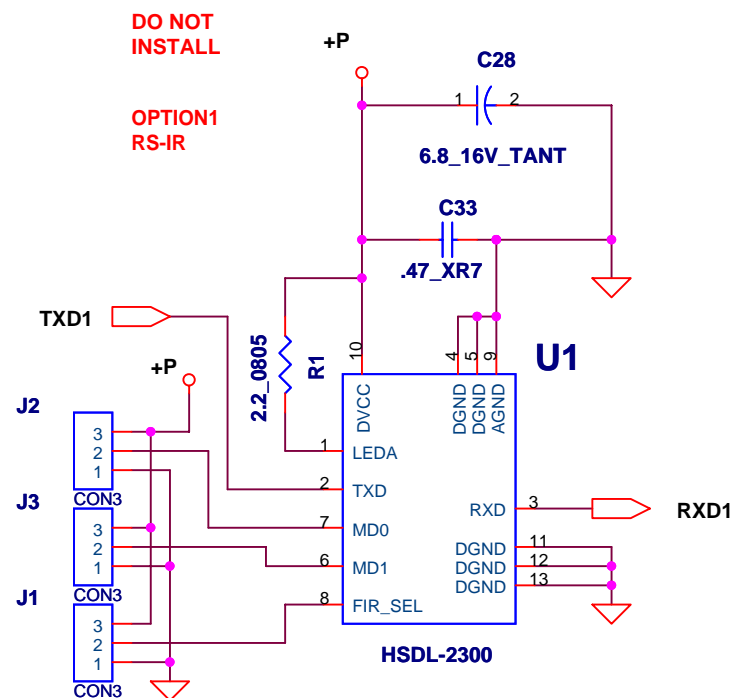
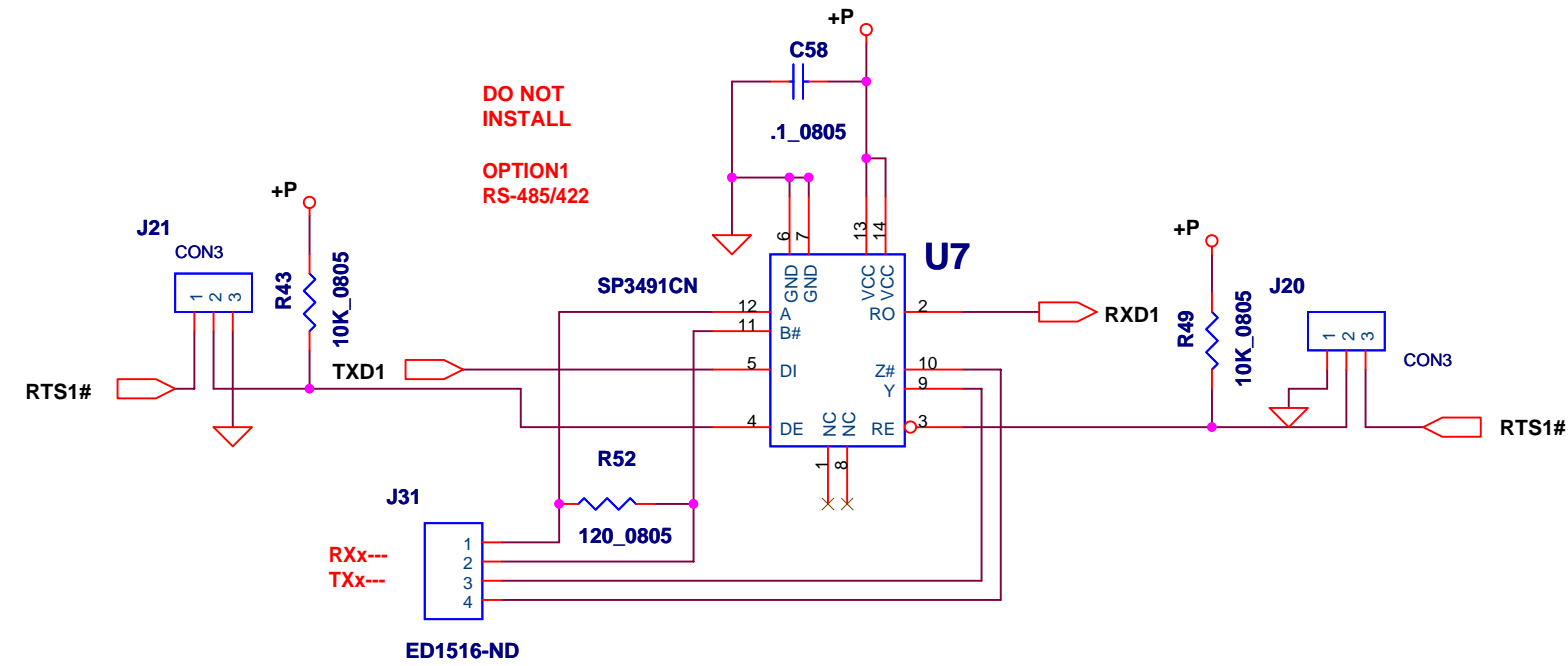
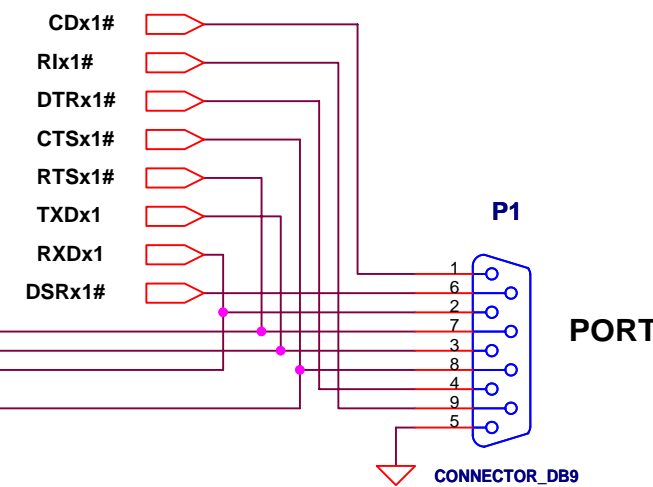
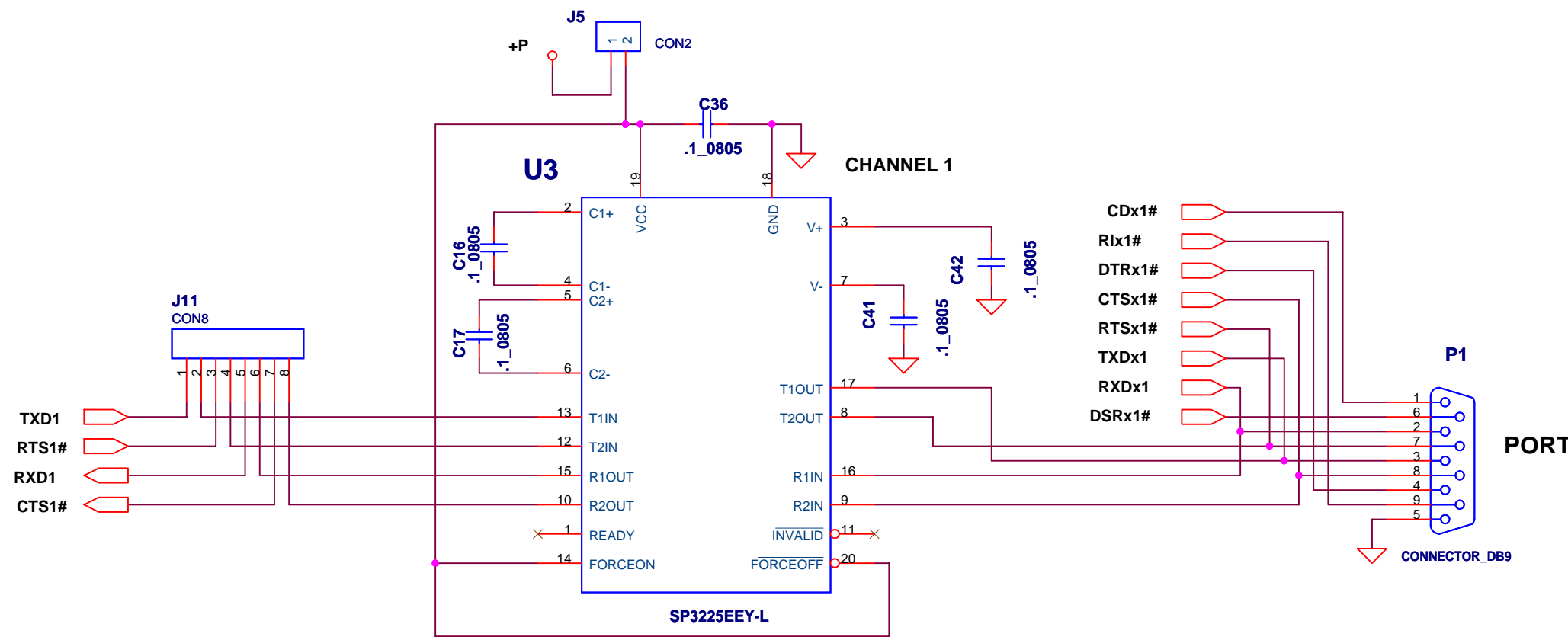
NOTE: J2-1&2 TRACE



NOTE: J5-1&2 TRACE



Title		
20M1170 24/16 TSSOP INTERFACE		
Size	Document Number	Rev
Custom	20M1170 DAUGHTER I2/SPI	1.1
Date:	Tuesday, July 17, 2007	Sheet 5 of 6



Title		
20M1170 RS232/422 & IR INTERFACE		
Size	Document Number	Rev
Custom	20M1170 DAUGHTER I2/SPI	1.1
Date:	Tuesday, July 17, 2007	Sheet 6 of 8