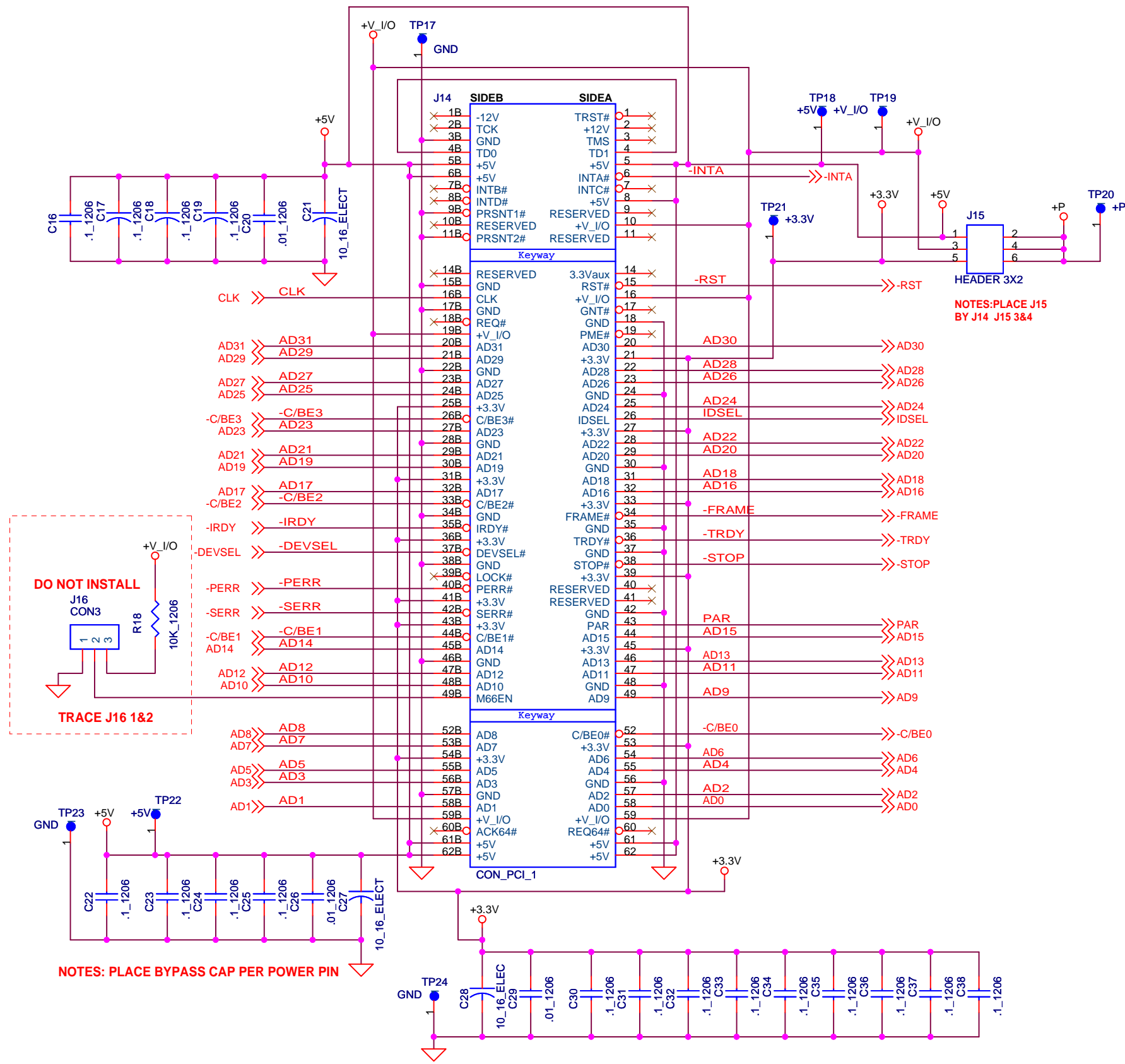


Title		
<b>UART INTERFACE AND MPIO</b>		
Size	Document Number	Rev
Custom	<b>XR17x152 UNIVERSAL BOARD 1.4</b>	
Date: Tuesday, July 31, 2007	Sheet	1 of 4

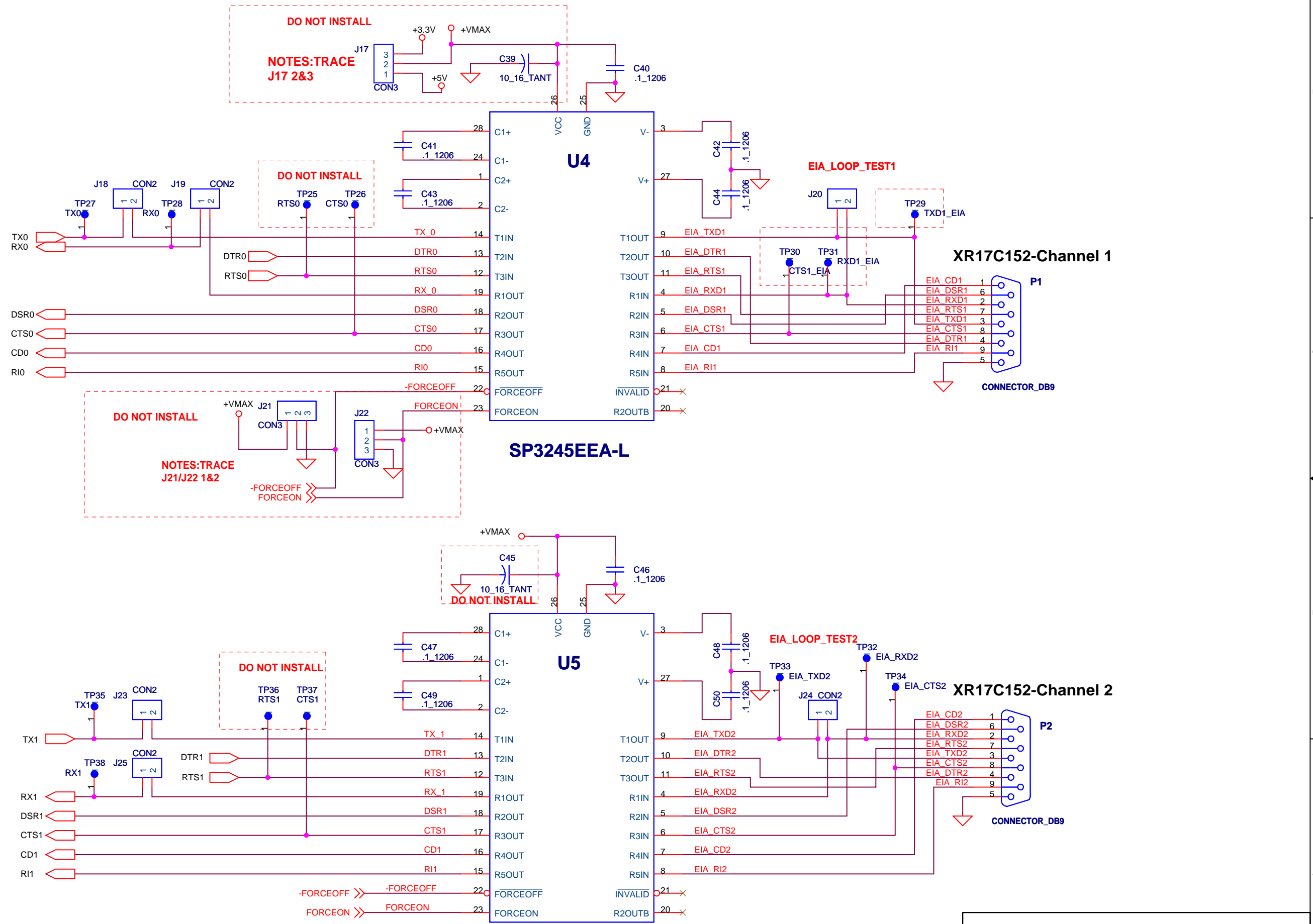


NOTES: PLACE J15 BY J14 J15 3&4

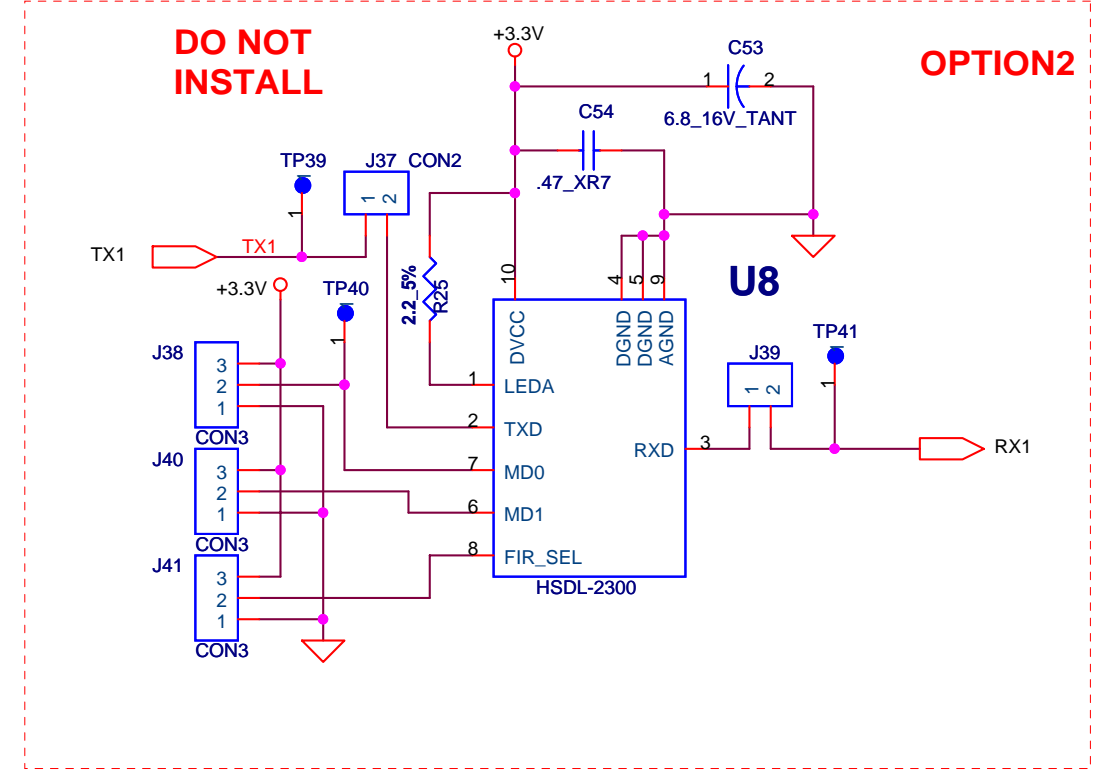
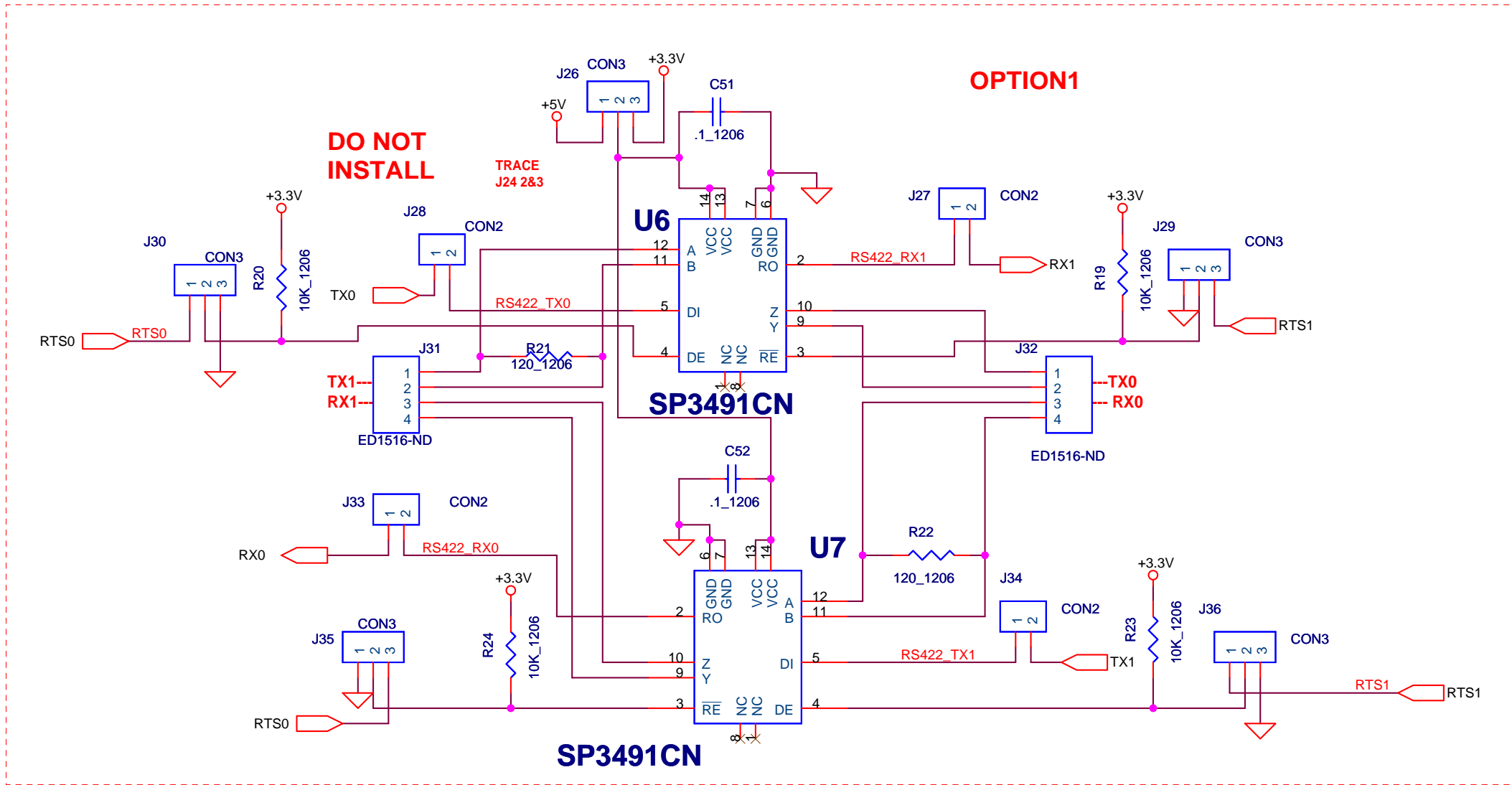
DO NOT INSTALL  
J16 CON3  
R18  
10K\_1206  
TRACE J16 1&2

NOTES: PLACE BYPASS CAP PER POWER PIN

Title		
<b>PCI INTERFACE</b>		
Size	Document Number	Rev
Custom	<b>XR17x152 UNIVERSAL BOARD</b>	<b>1.4</b>
Date:	Tuesday, July 31, 2007	Sheet 2 of 4



Title		
<b>RS232 INTERFACE</b>		
Size	Document Number	Rev
Custom	<b>XR17x152 UNIVERSAL BOARD</b>	<b>1.4</b>
Date:	Tuesday, July 31, 2007	Sheet 3 of 4



Title		
<b>RS422/485 AND IR INTERFACE</b>		
Size	Document Number	Rev
B	<b>XR17x152 EVAL BOARD</b>	<b>1.4</b>
Date:	Tuesday, July 31, 2007	Sheet 4 of 4