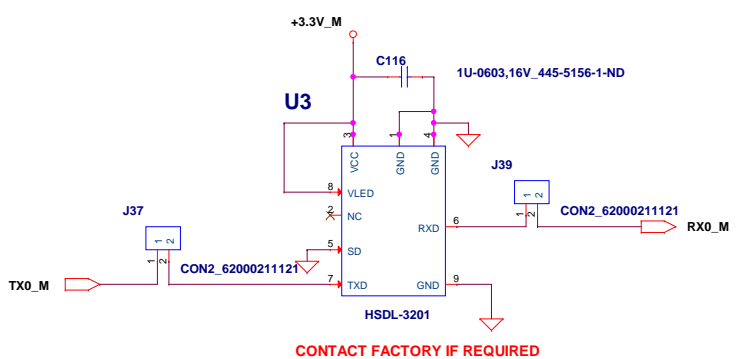
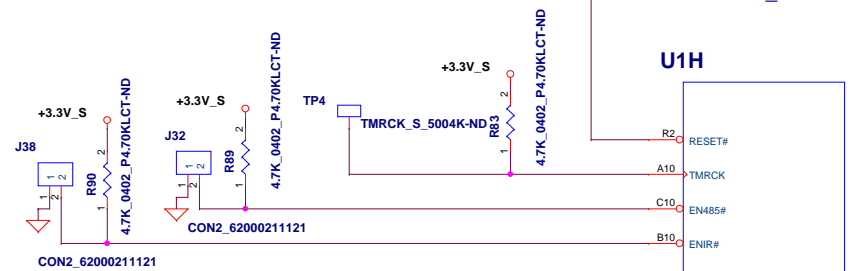
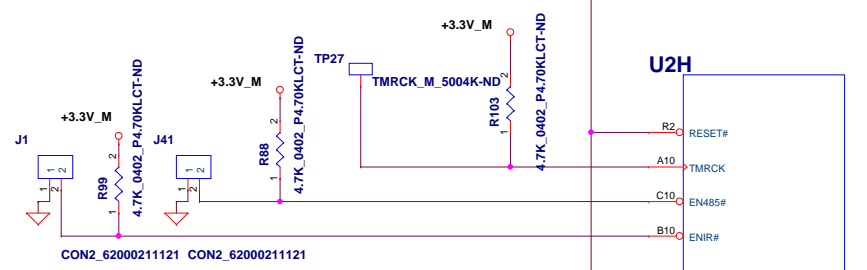
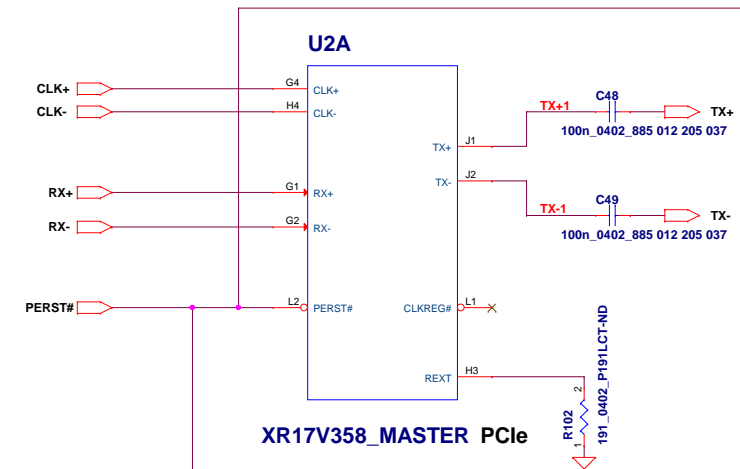


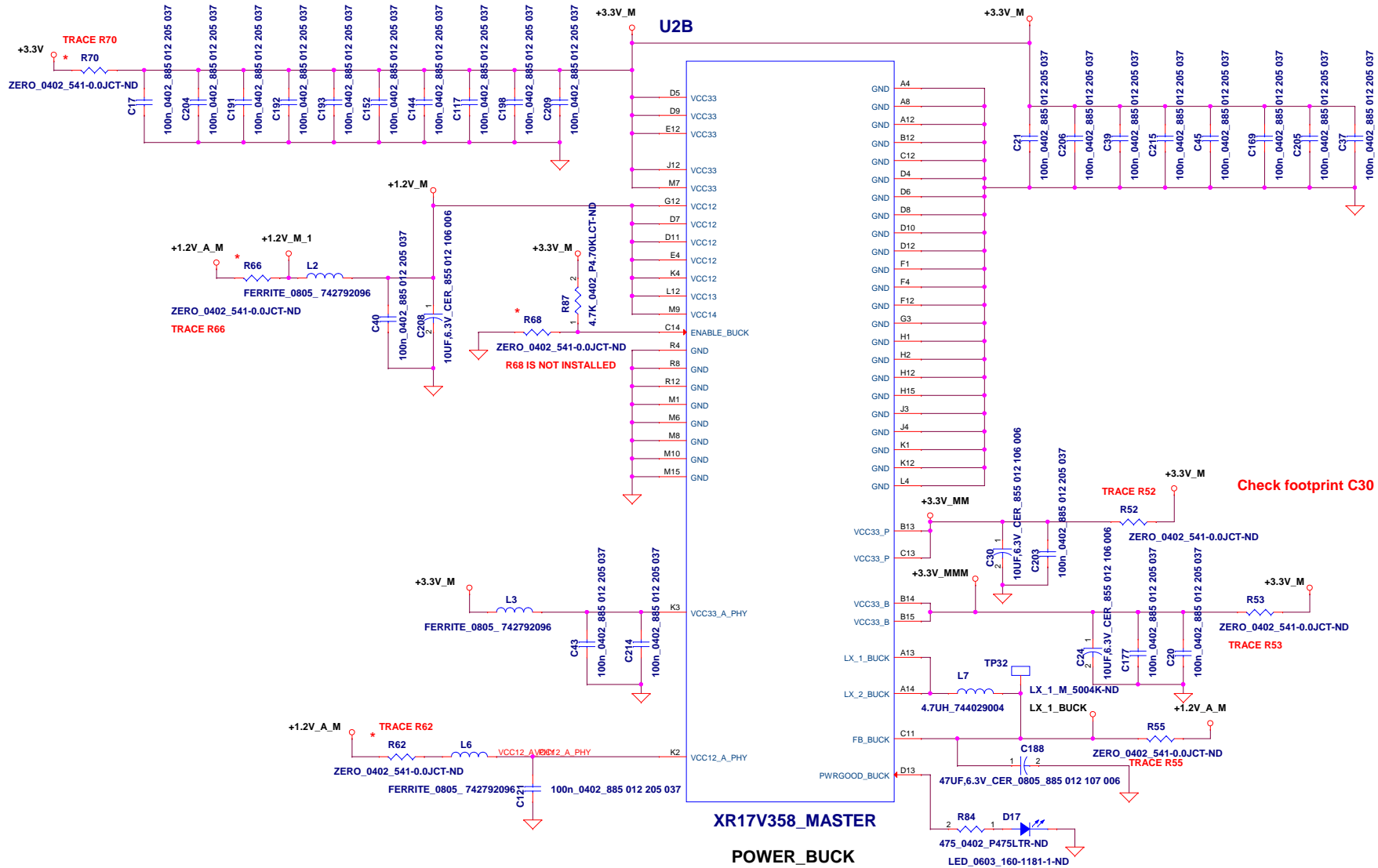
Updated 3/6/2015

Title		PCIe Interface	
Size	Document Number	Rev	
	XR17V358/SP339-E8 Evaluation Board	4.0	
Date	Released	Sheet	1 of 18
	February 06, 2015		

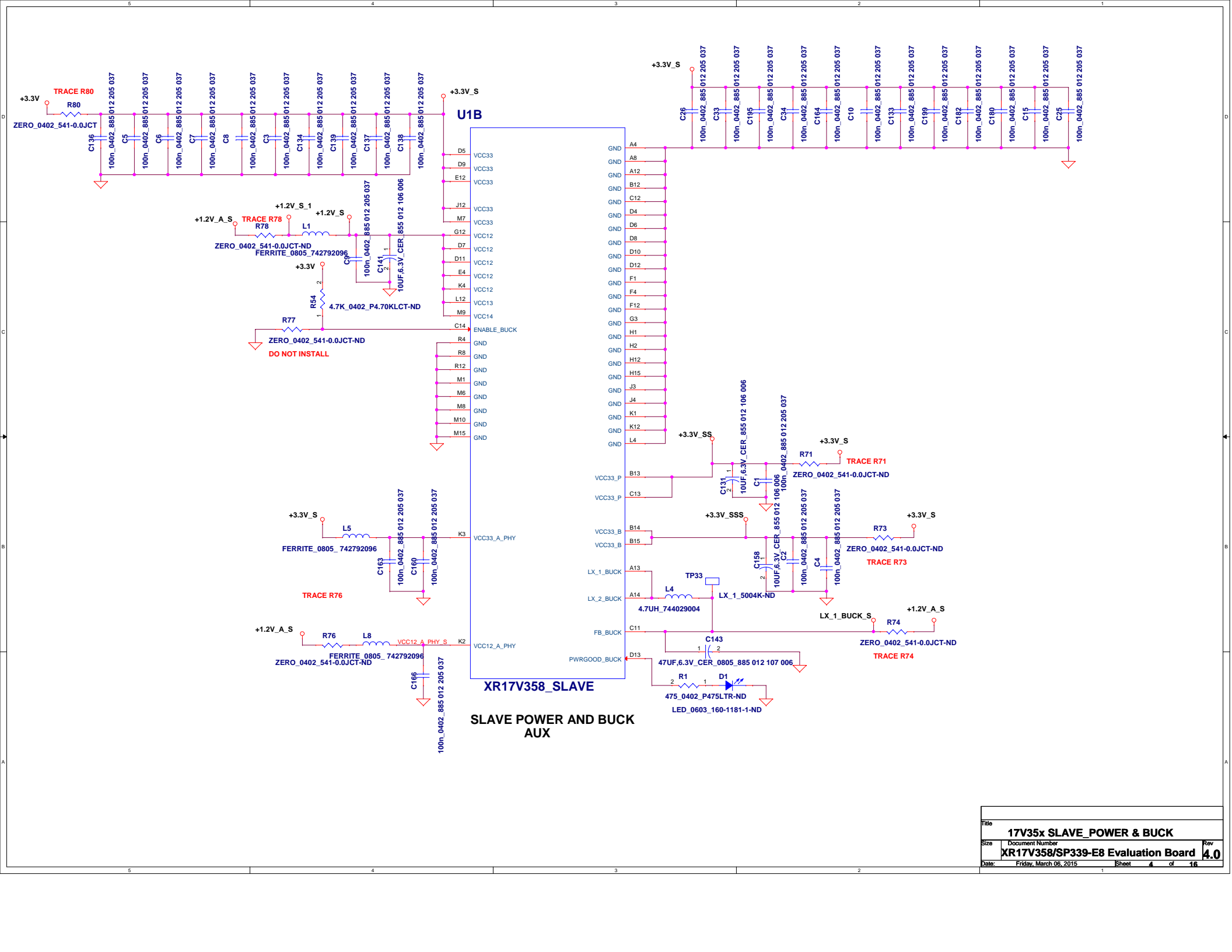


CONTACT FACTORY IF REQUIRED

Title			XR17V35x PCIe Block Interface
Size	Document Number	Rev	
	XR17V358/SP339-E8 Evaluation Board	4.0	
Date:	Friday, March 06, 2015	Sheet	2 of 18



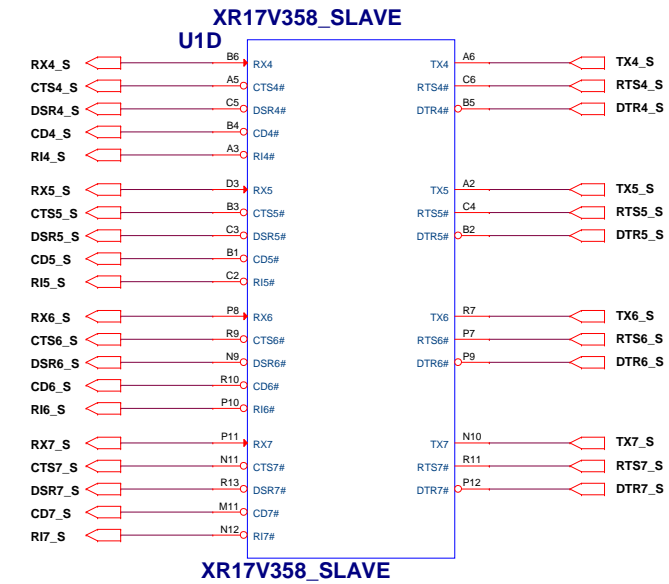
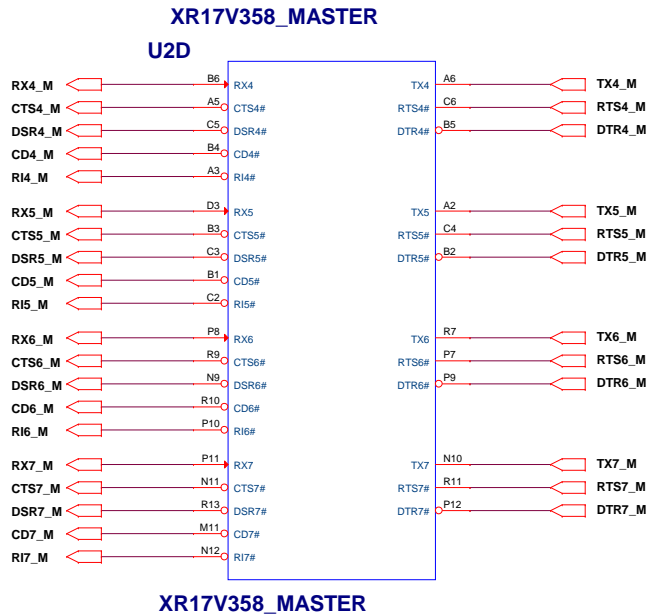
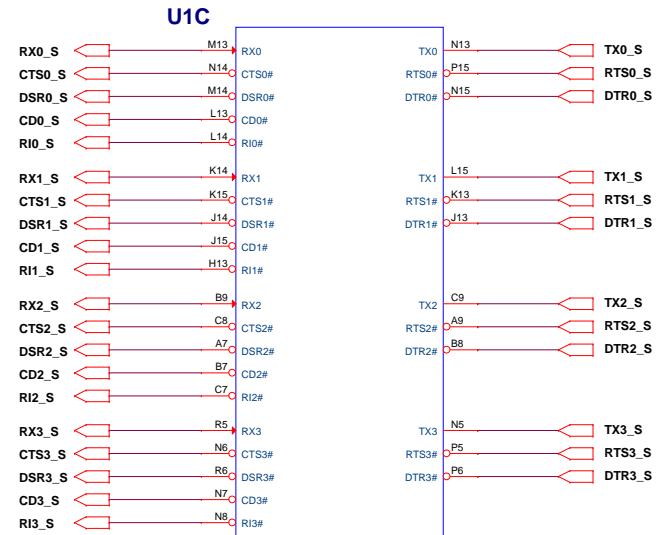
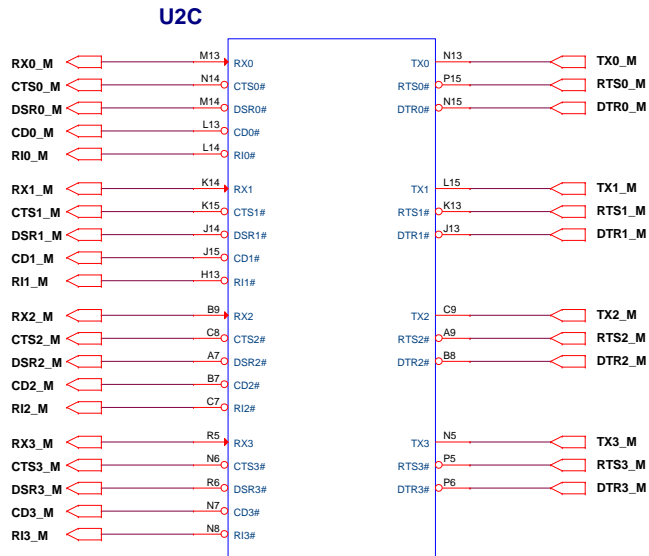
Title			17V35x Master Power & Buck
Size	Document Number	XR17V358/SP339-E8 Evaluation Board	
Date:	Friday, March 06, 2015	Sheet	3 of 18
Rev	4.0		

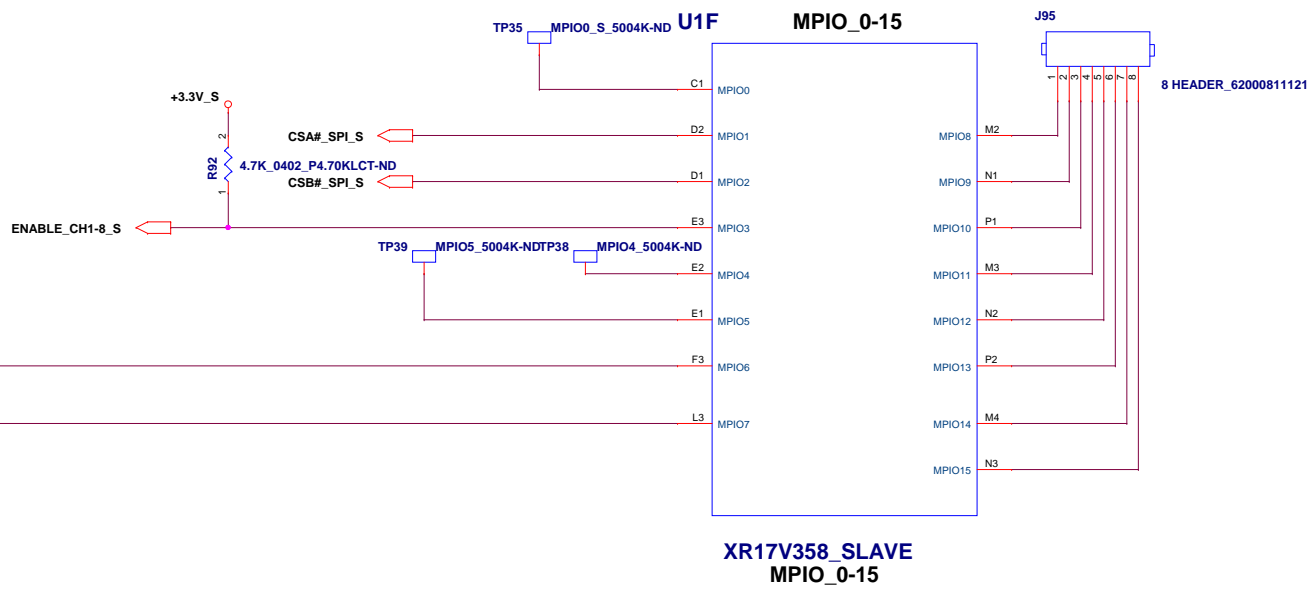
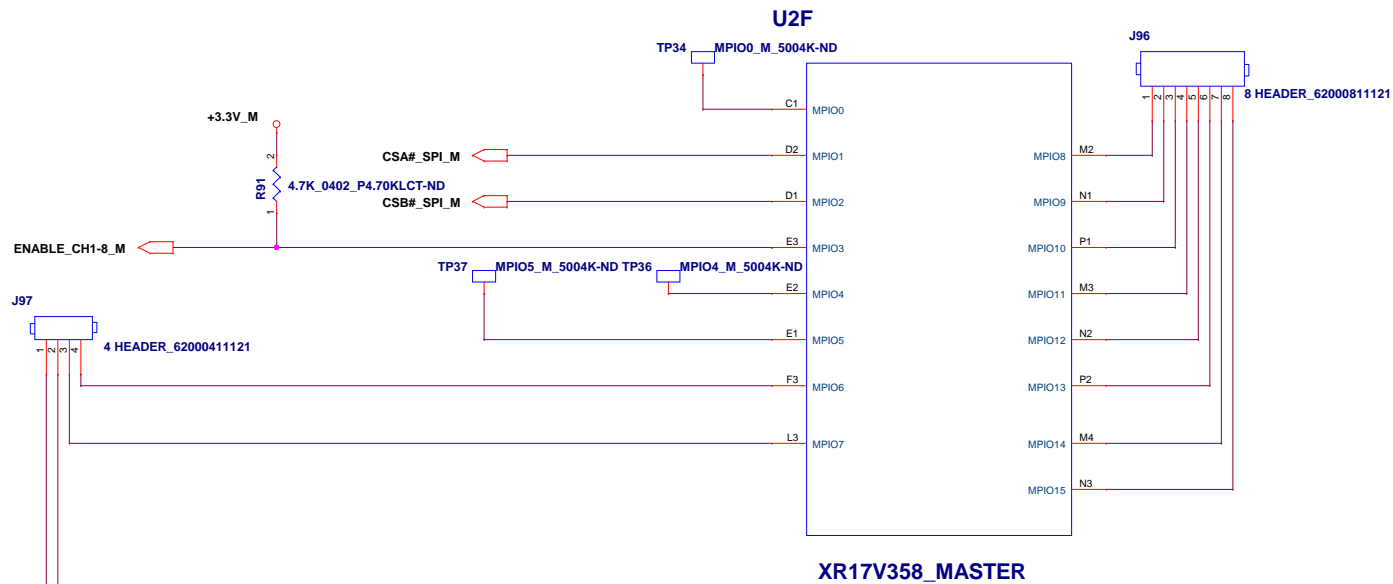


XR17V358_SLAVE

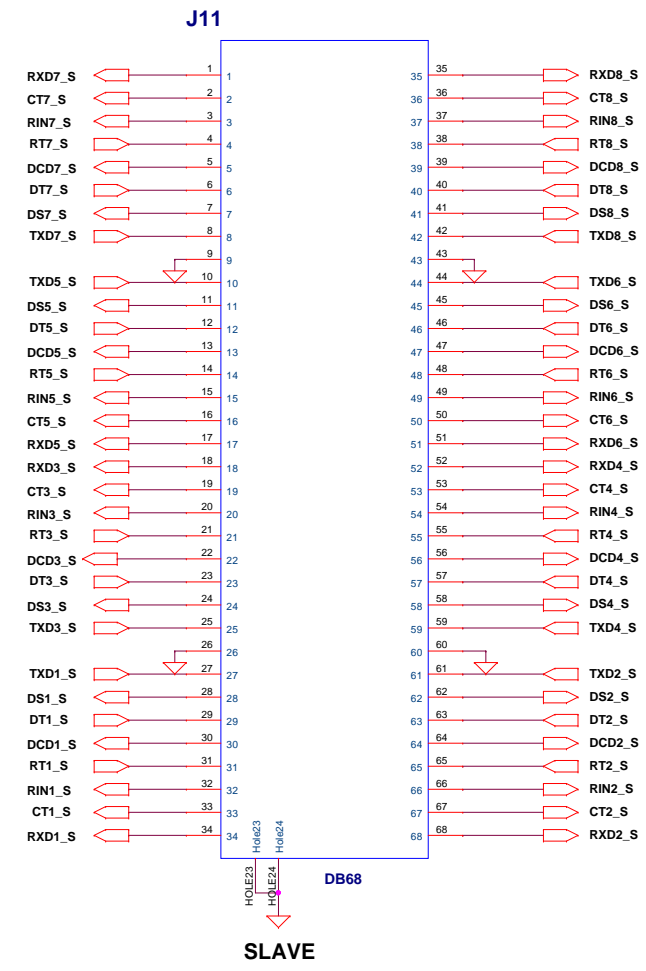
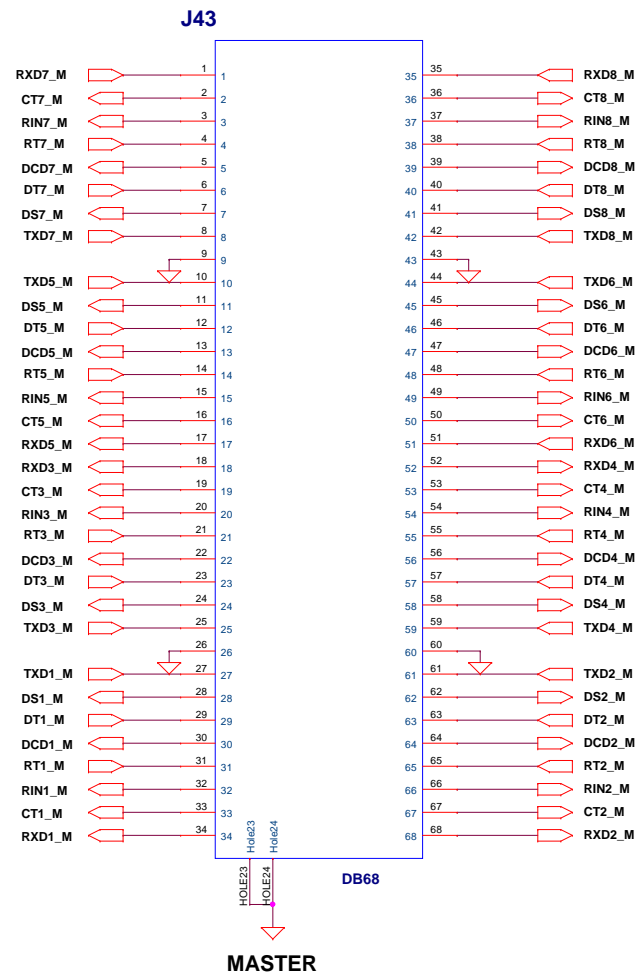
SLAVE POWER AND BUCK AUX

Title		
17V35x SLAVE_POWER & BUCK		
Size	Document Number	Rev
	XR17V358/SP339-E8 Evaluation Board	4.0
Date:	Friday, March 06, 2015	Sheet 4 of 16

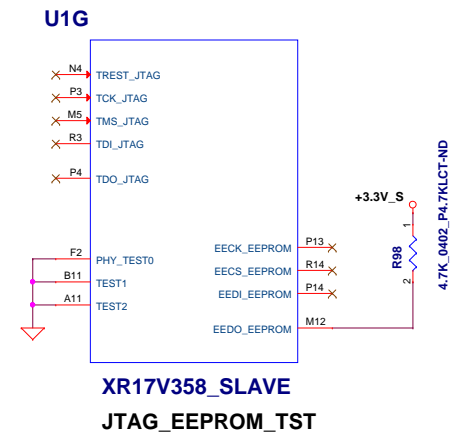
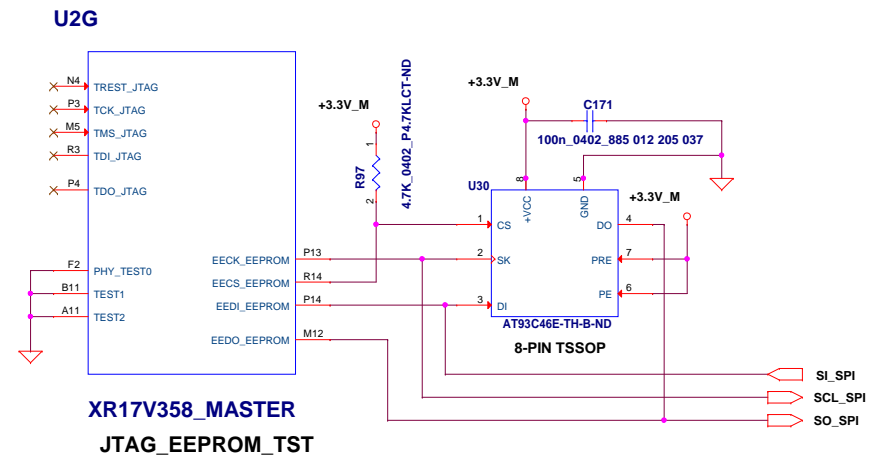
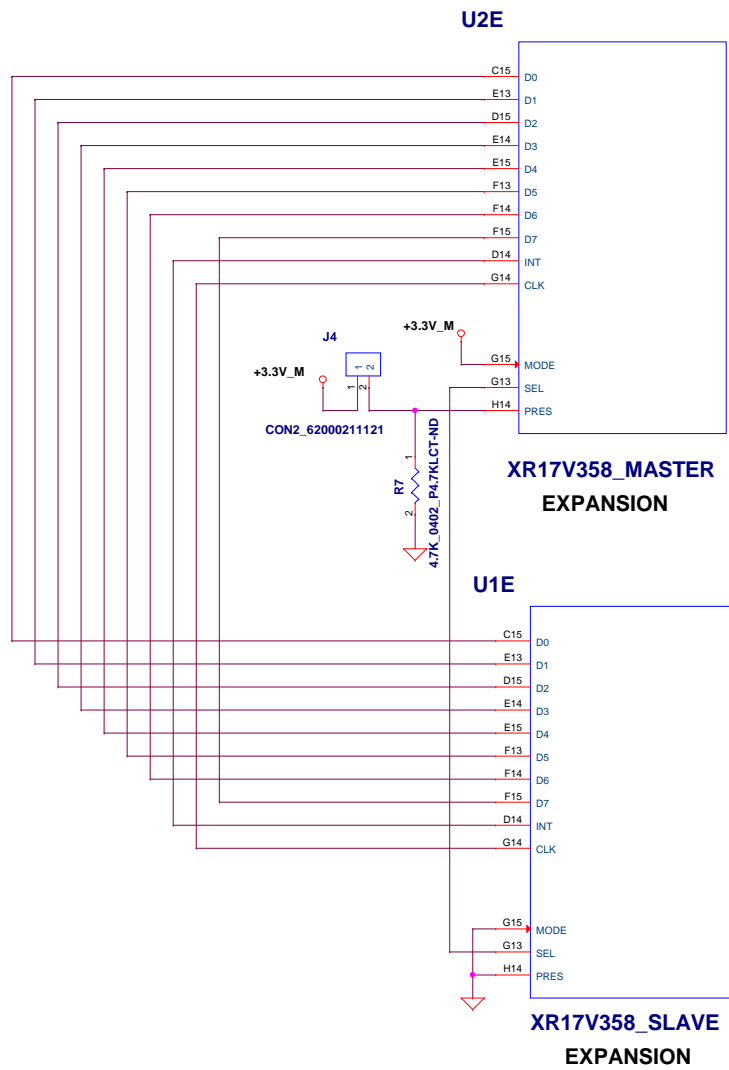




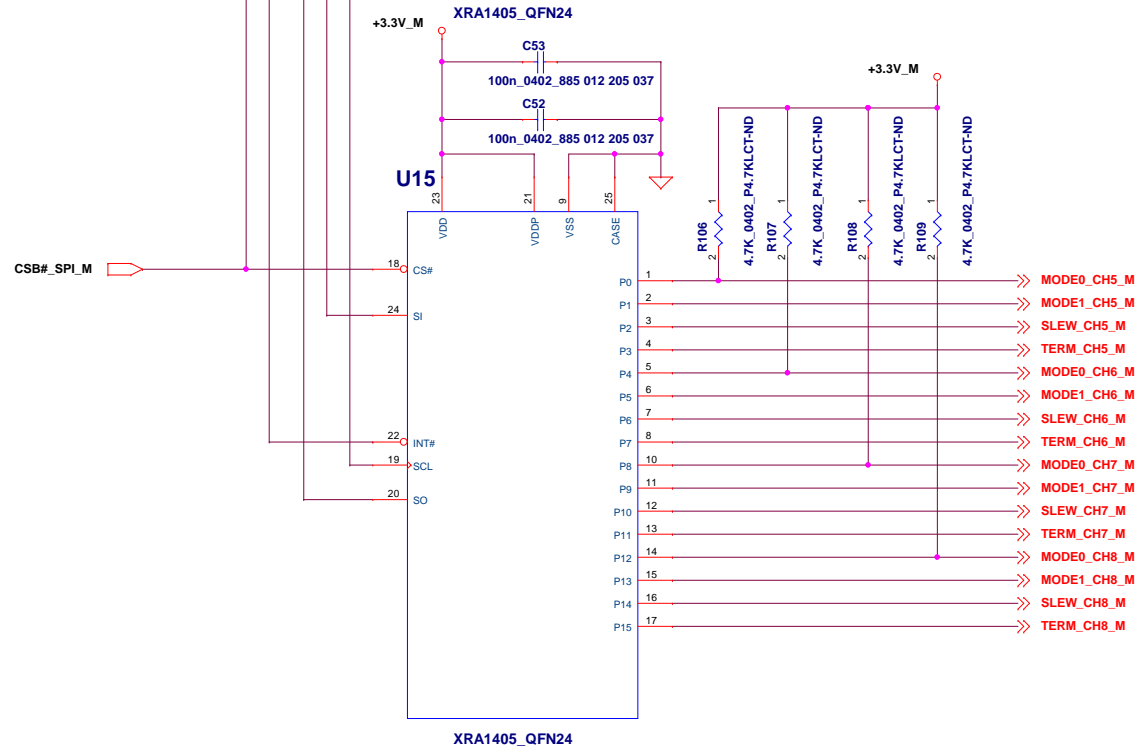
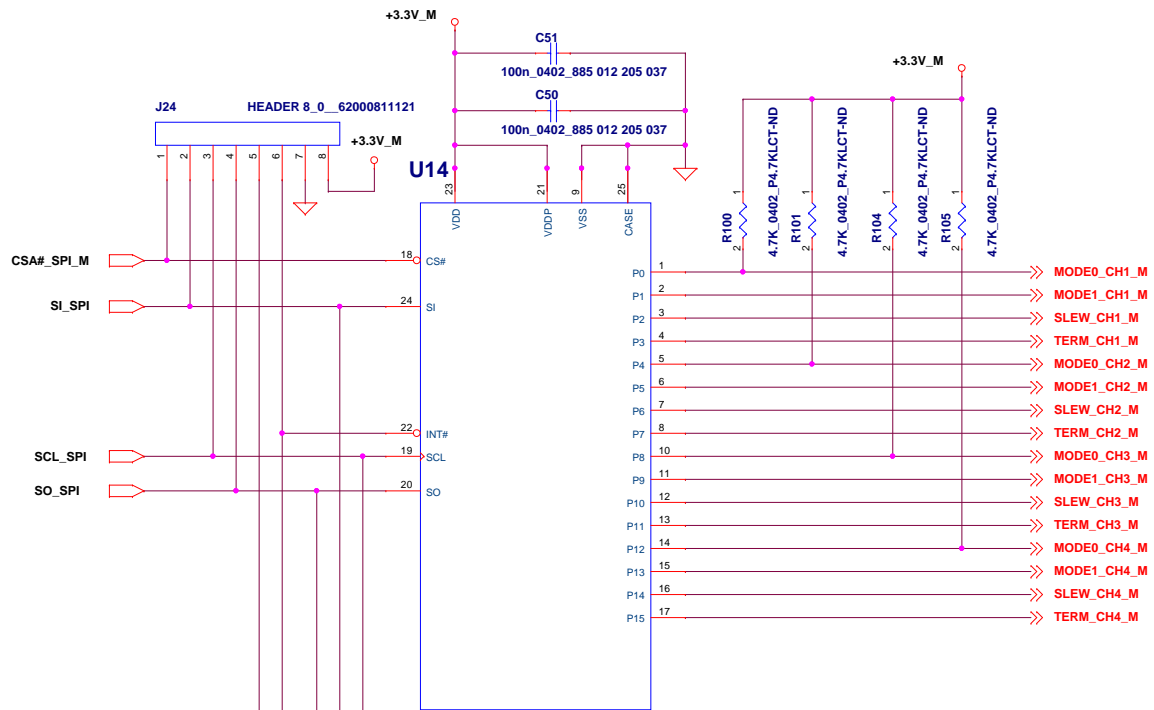
Title			MASTER_SLAVE MPIO CONTROLS
Size	Document Number	Rev	
Cust#	XR17V358/SP339-E8 Evaluation Board	4.0	
Date:	Friday, March 06, 2015	Sheet	6 of 18



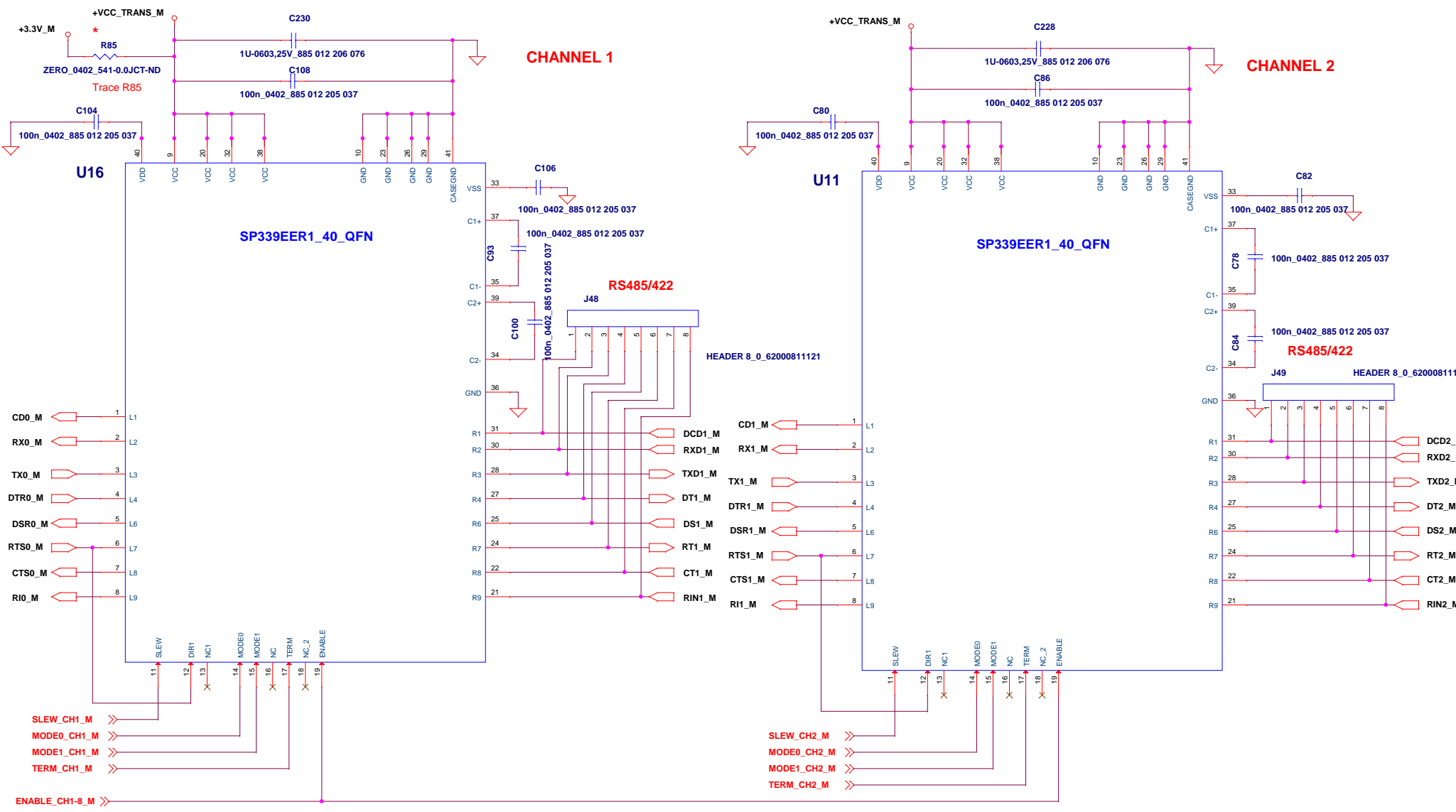
Title		
MASTER_SLAVE RS232 INTERFACE		
Size	Document Number	Rev
	XR17V358/SP339-E8 Evaluation Board	4.0
Date:	Friday, March 06, 2015	Sheet 7 of 18



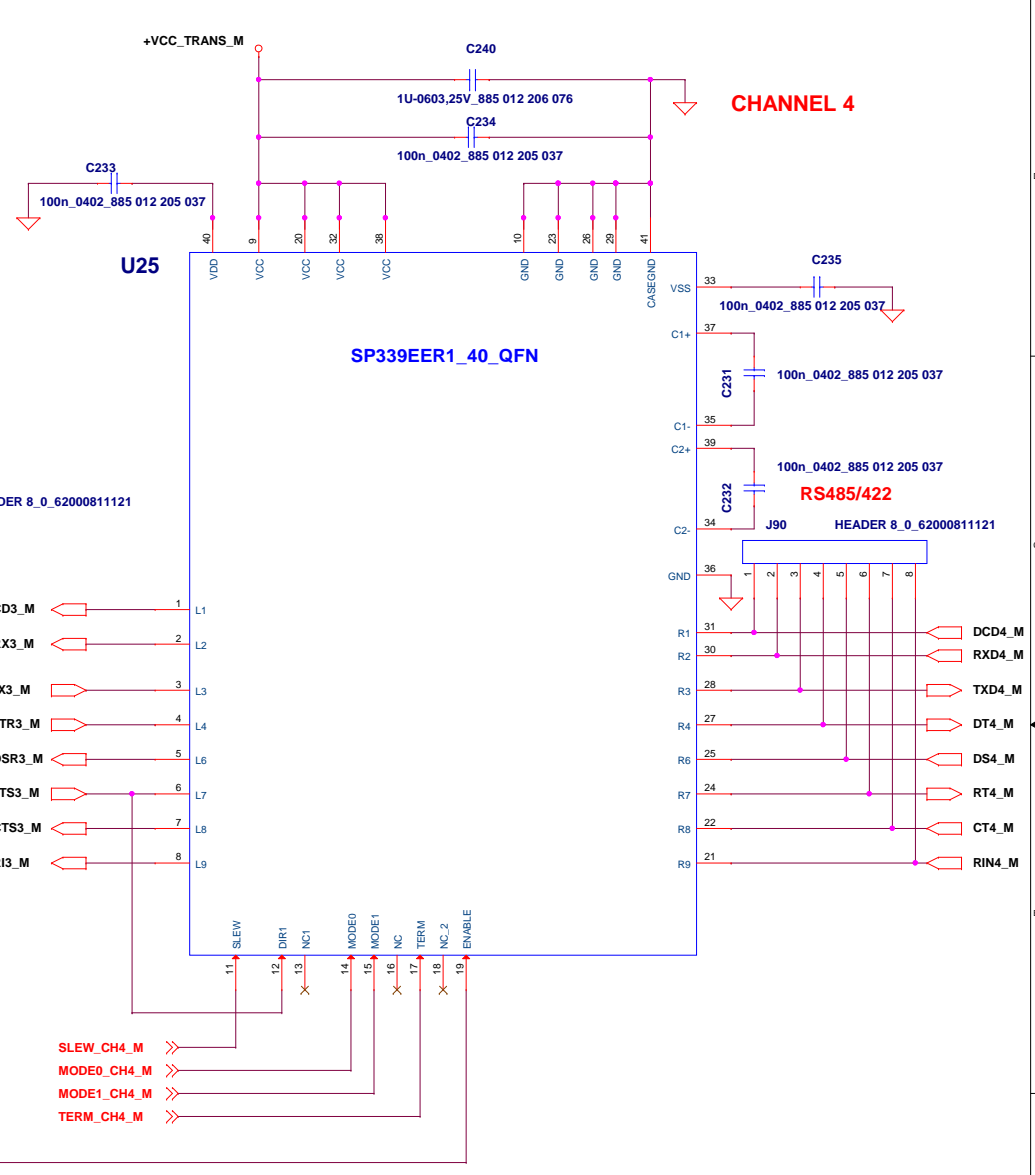
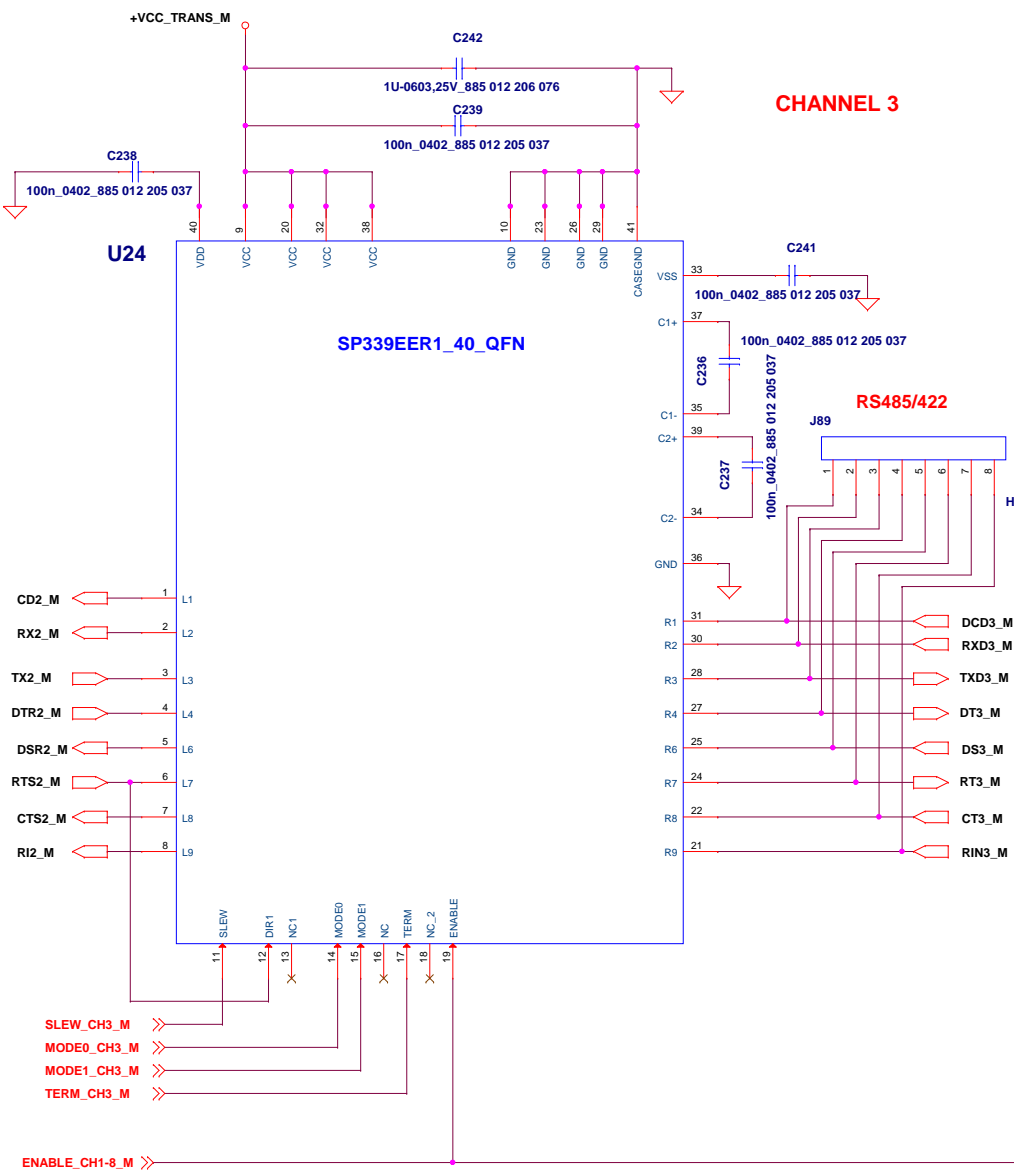
Title			17V35x EXPANSION_EEPROM_JTAG
Size	Document Number	Rev	
Cust	XR17V358/SP339-E8 Evaluation Board	4.0	
Date:	Friday, March 06, 2015	Sheet	8 of 18



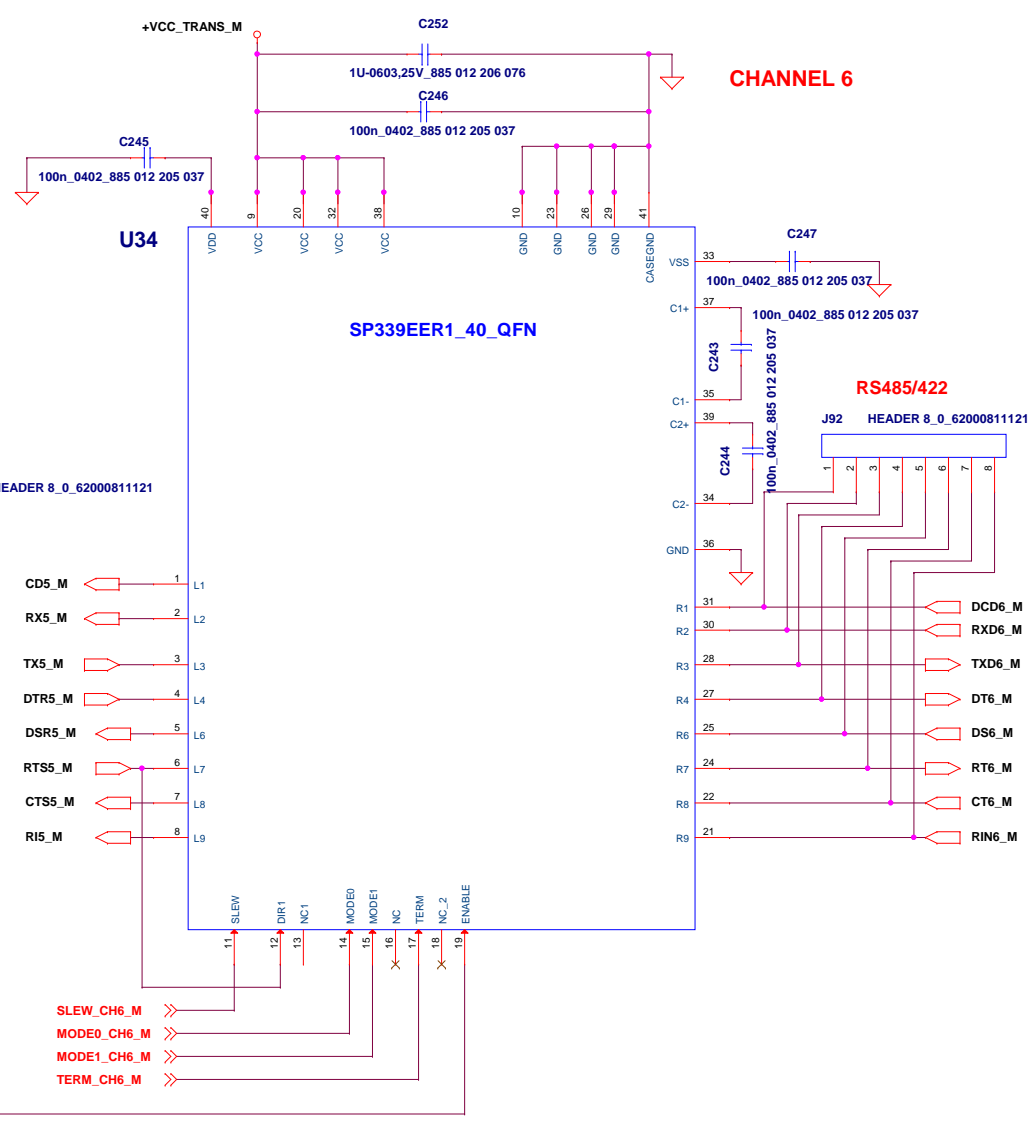
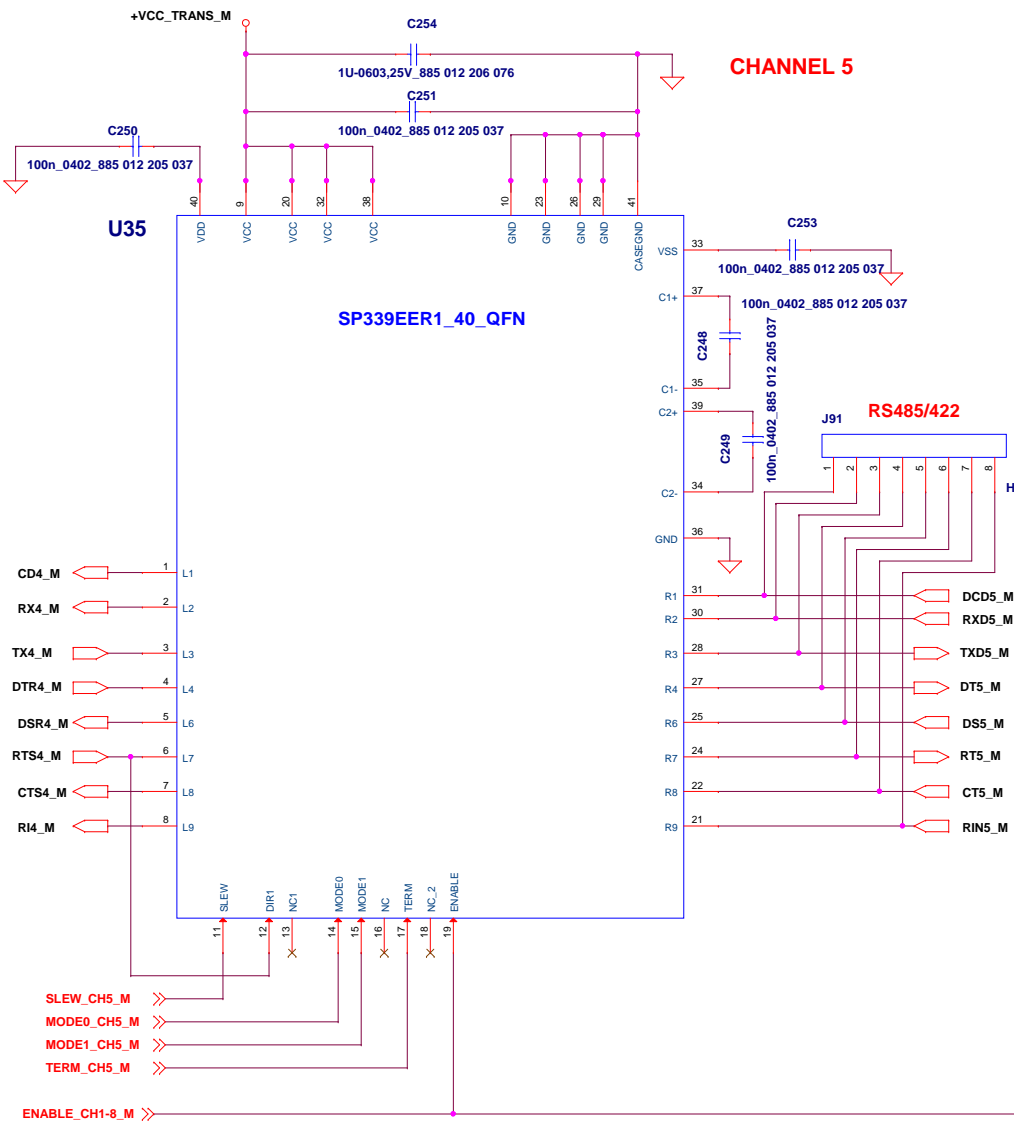
Title			
MASTER SPI GPIO EXPANSION			
Size	Document Number	Rev	
Cust	XR17V358/SP339-E8 Evaluation Board	4.0	
Date:	Friday, March 06, 2015	Sheet	9 of 18



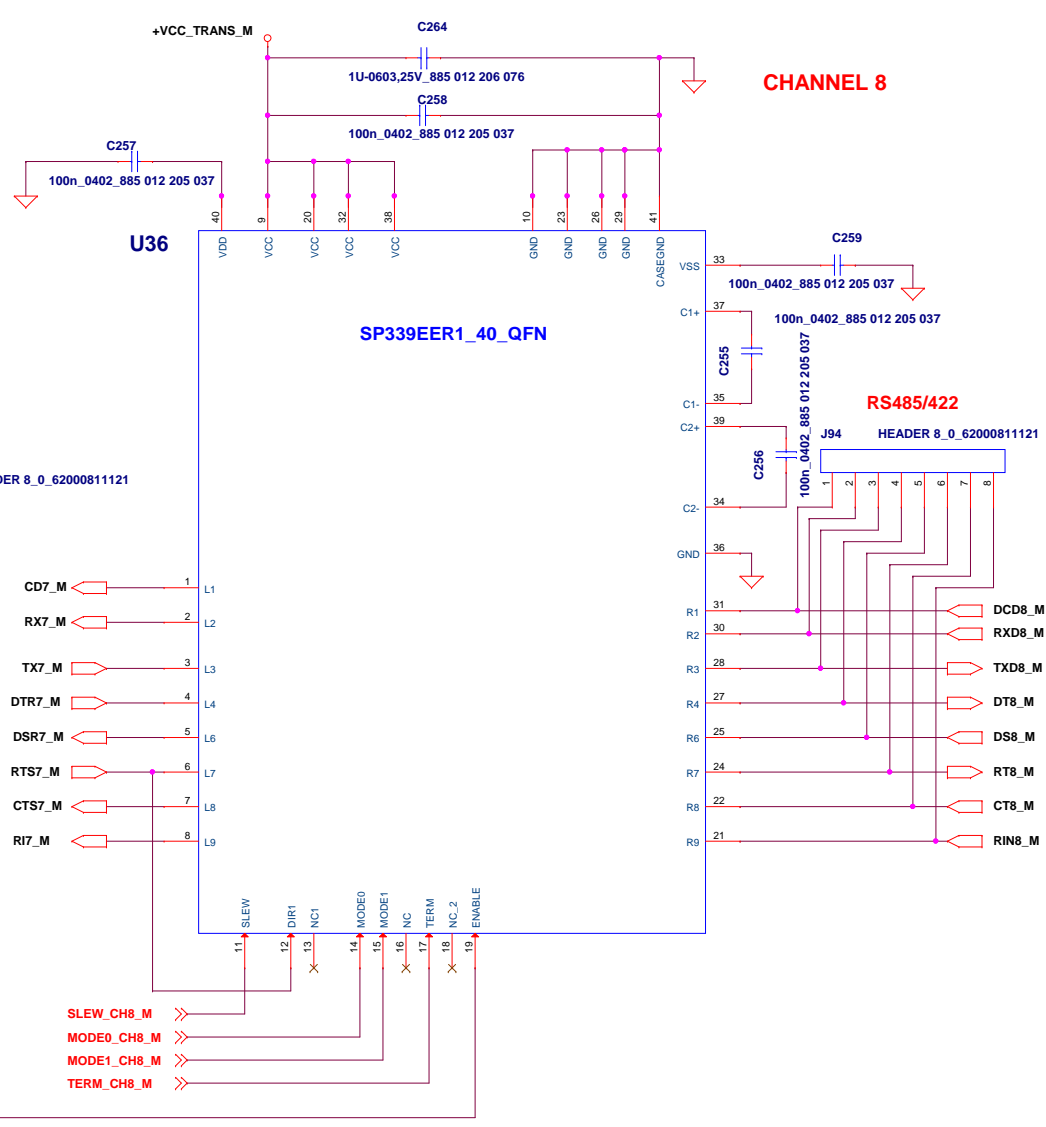
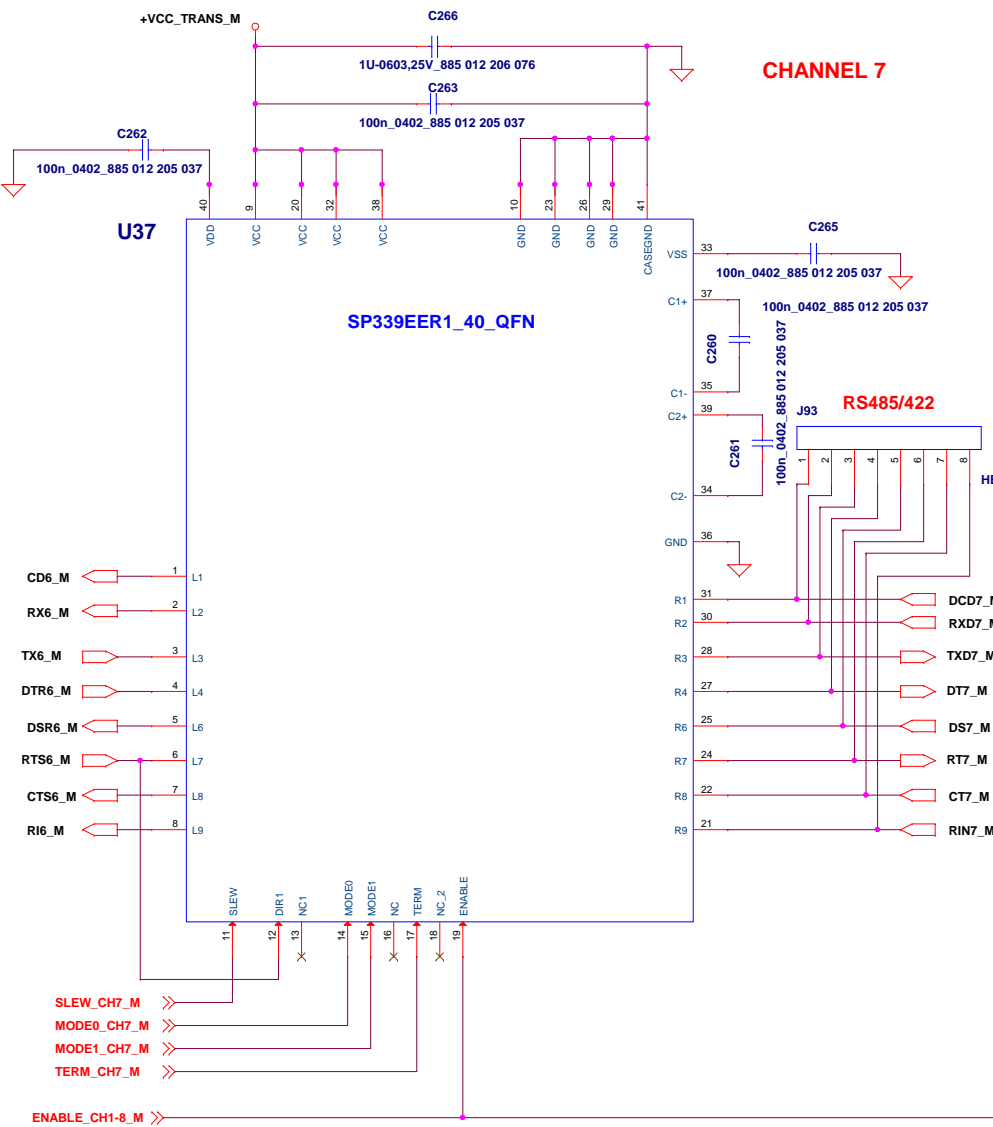
Title			MASTER RS232/485 CHANNEL 1-2
Size	Document Number	Rev	
Customer	XR17V358/SP339-E8 Evaluation Board	4.0	
Date:	Friday, March 06, 2015	Sheet	10 of 18



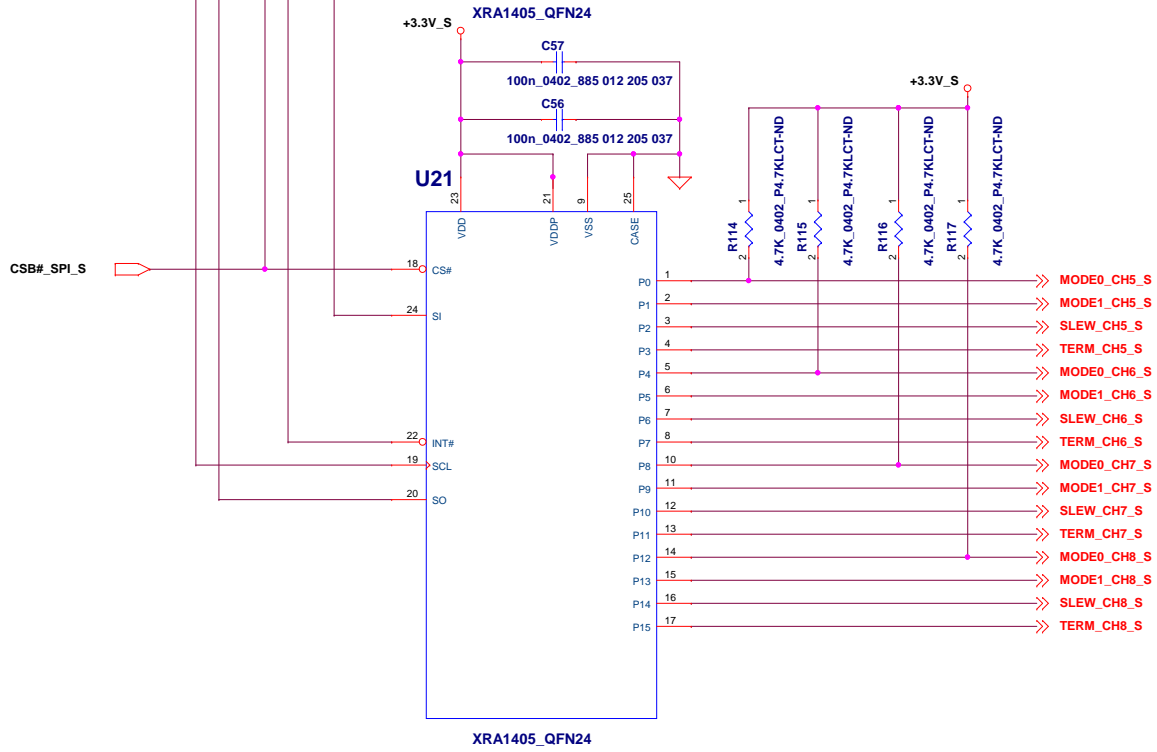
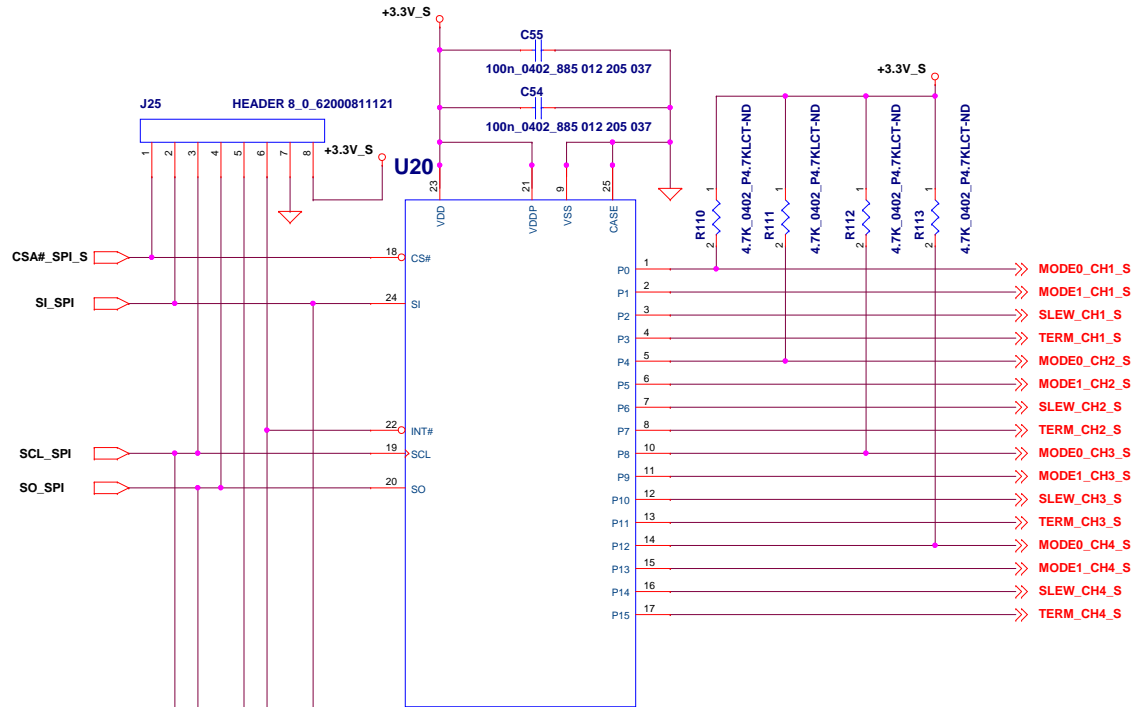
Title			MASTER RS232/485 CHANNEL 3-4
Size	Document Number		Rev
Customer	KR17V358/SP339-E8 Evaluation Board		4.0
Date:	Friday, March 06, 2015	Sheet	11 of 18



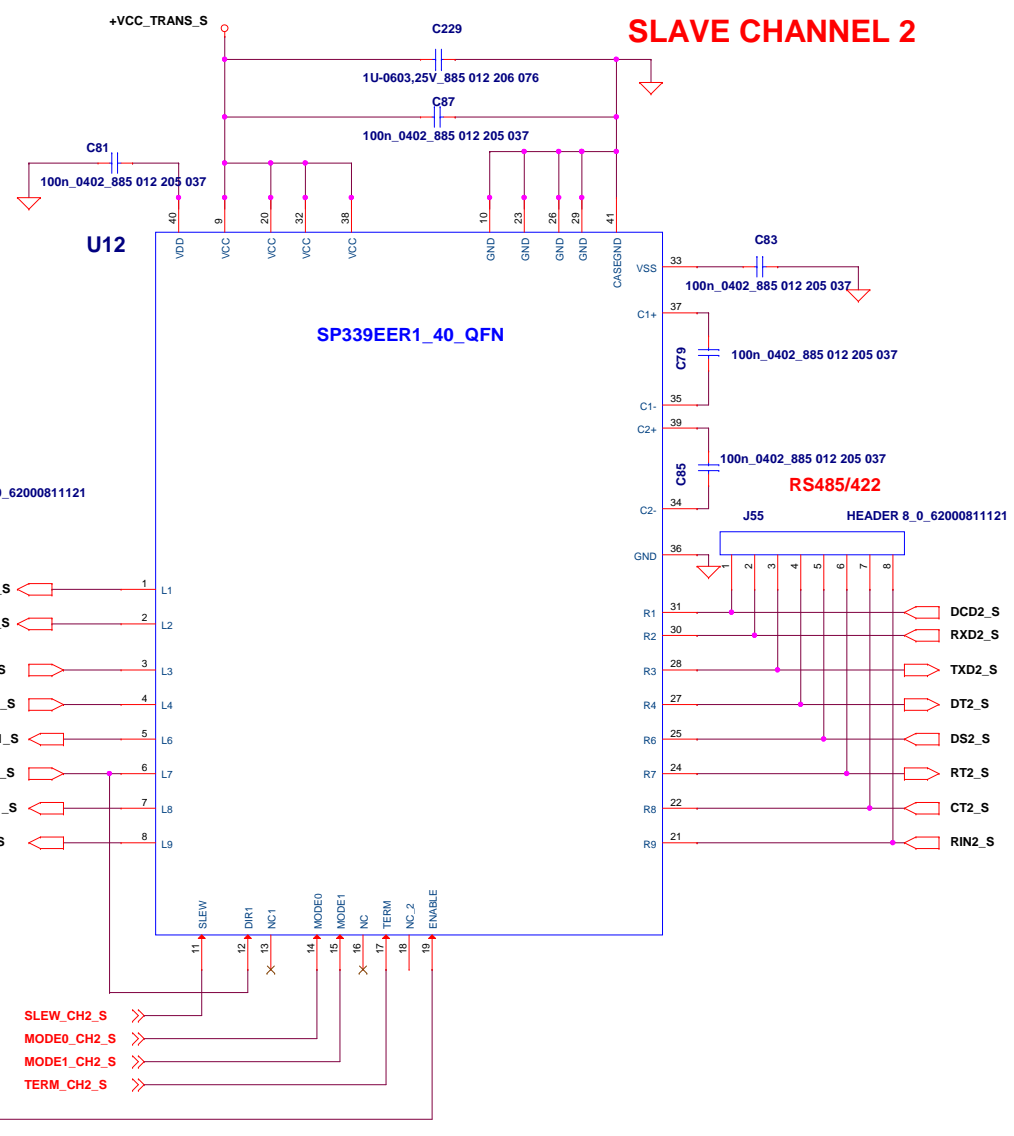
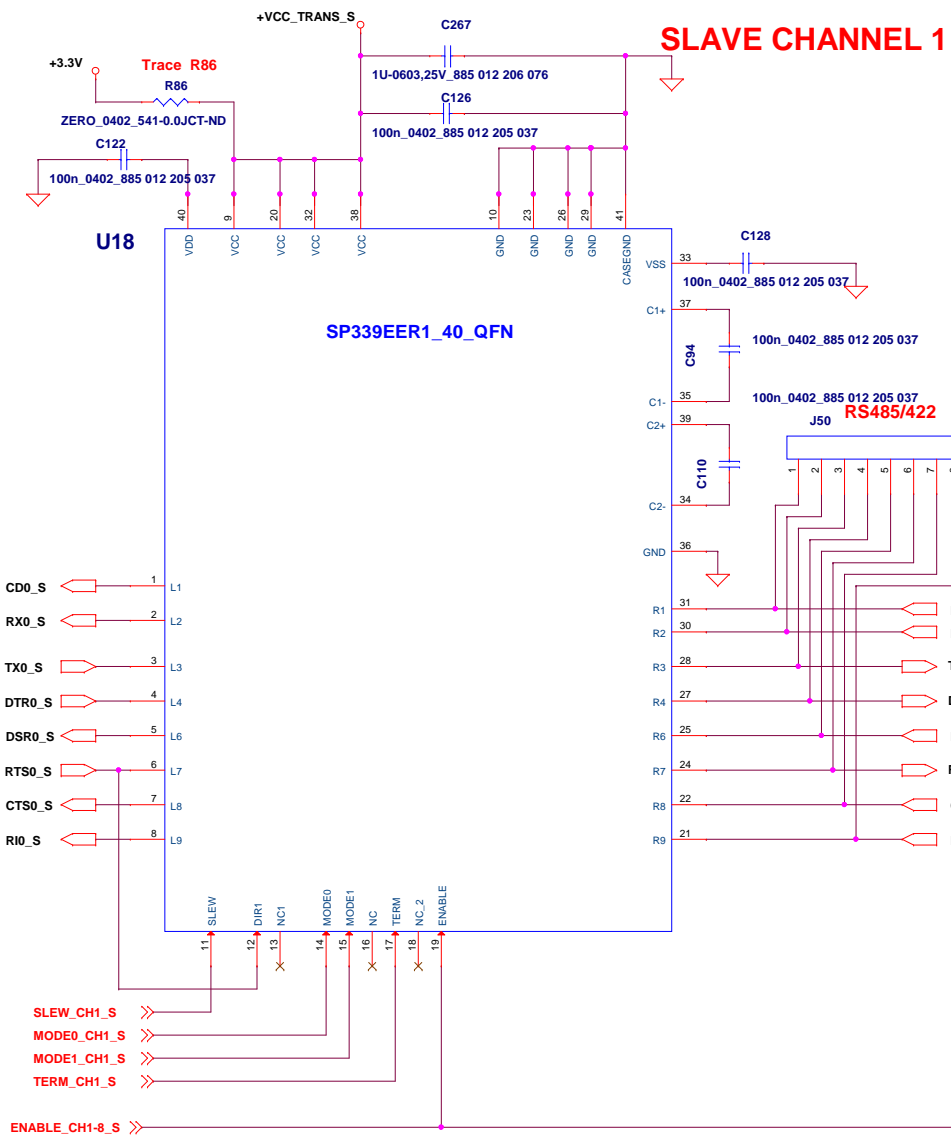
Title			MASTER RS232/485 CHANNEL 5-6		
Size	Document Number				Rev
Customer	KR17V358/SP339-E8 Evaluation Board				4.0
Date:	Friday, March 06, 2015	Sheet	12	of	18



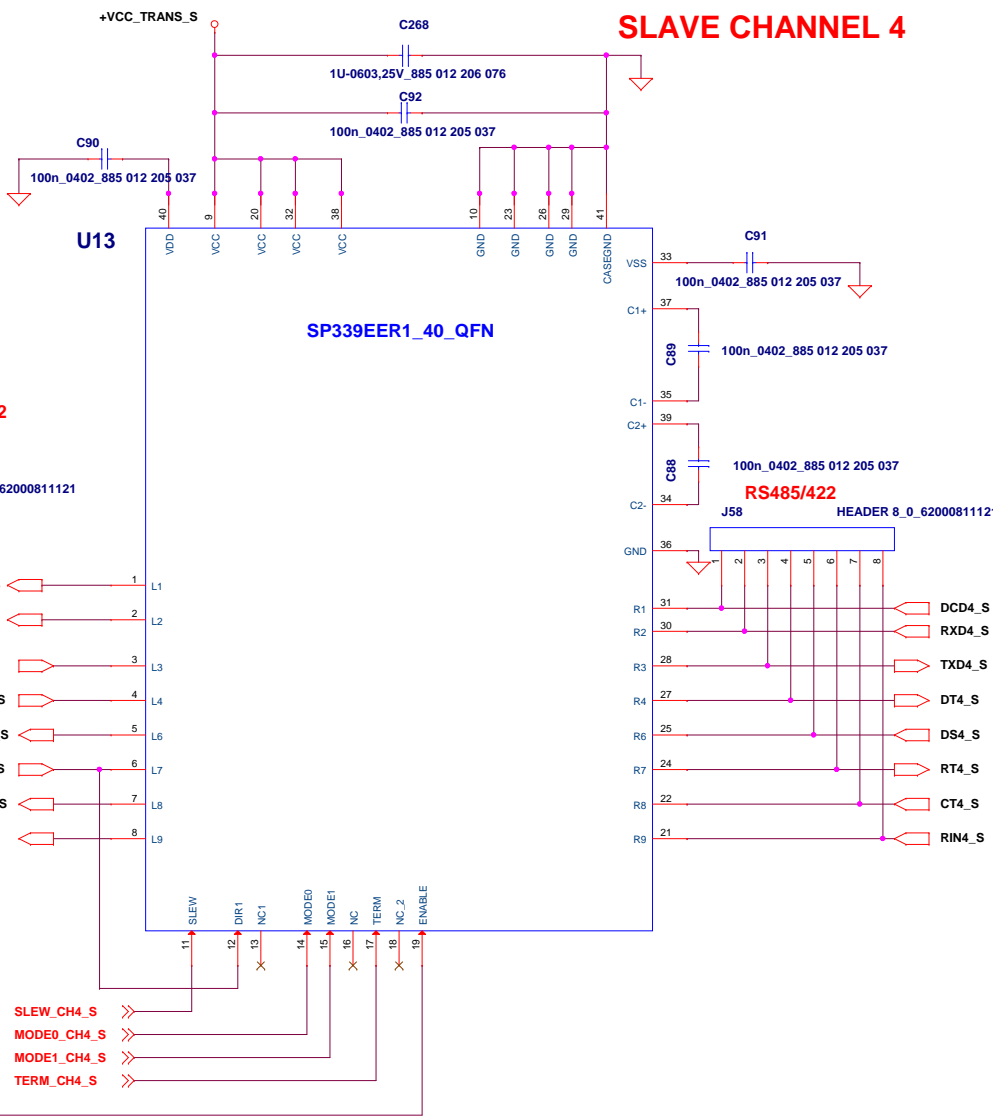
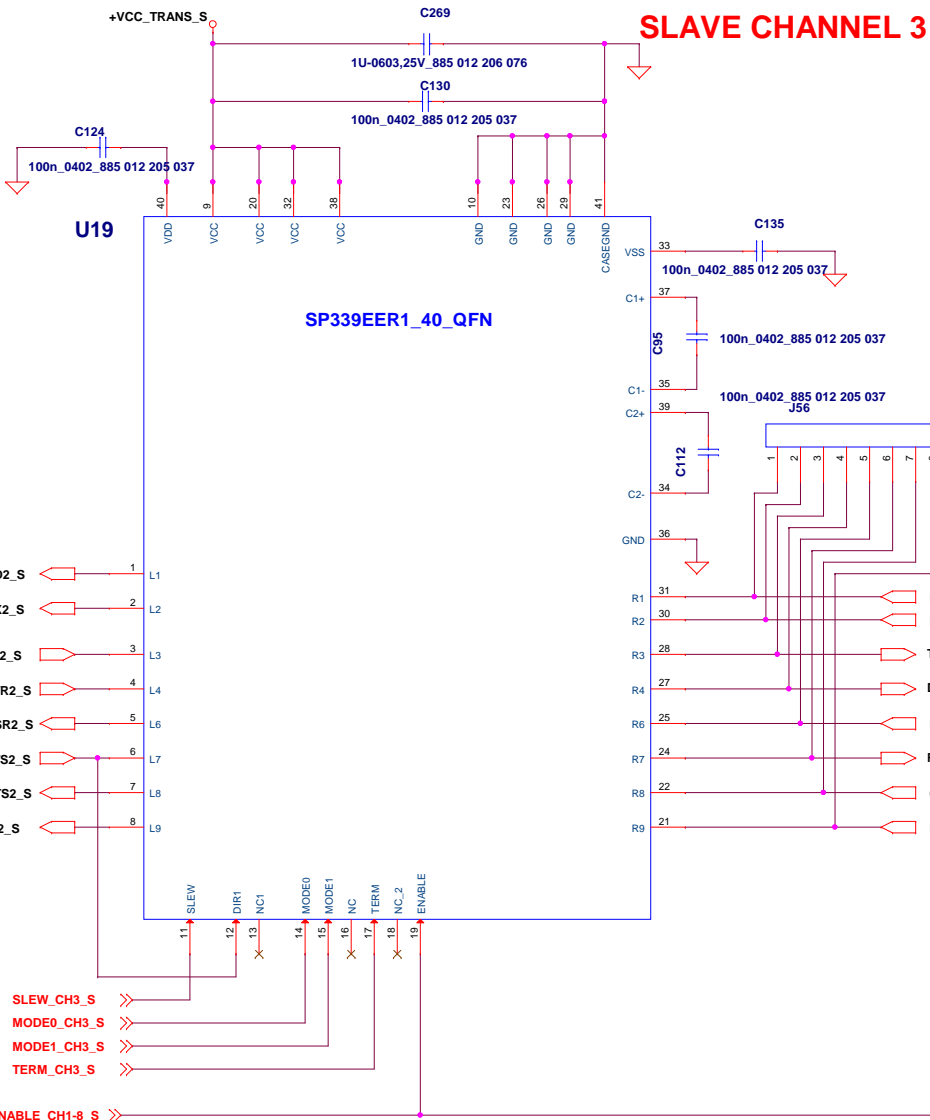
Title		
MASTER RS232/485 CHANNEL 7-8		
Size	Document Number	Rev
Customer	PR17V358/SP339-E8 Evaluation Board	4.0
Date:	Friday, March 06, 2015	Sheet 13 of 18



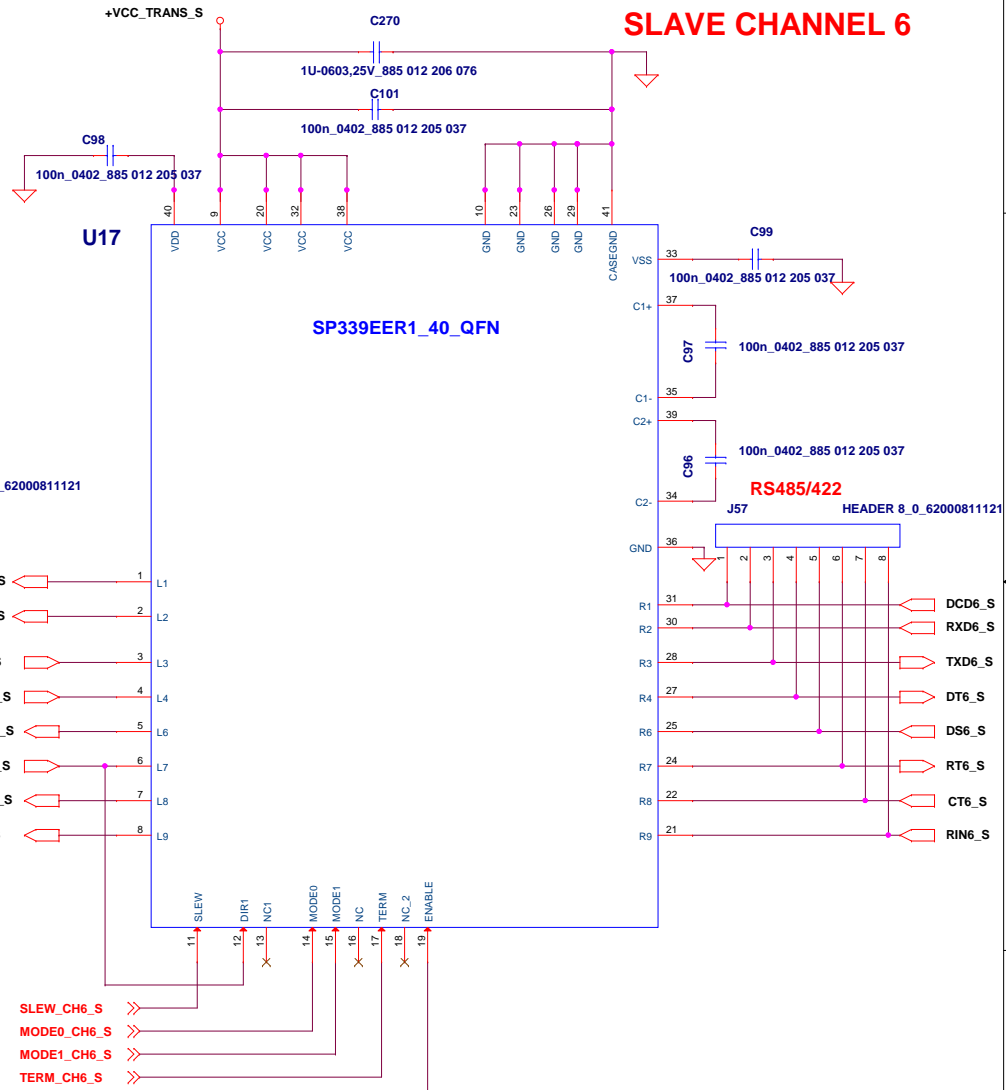
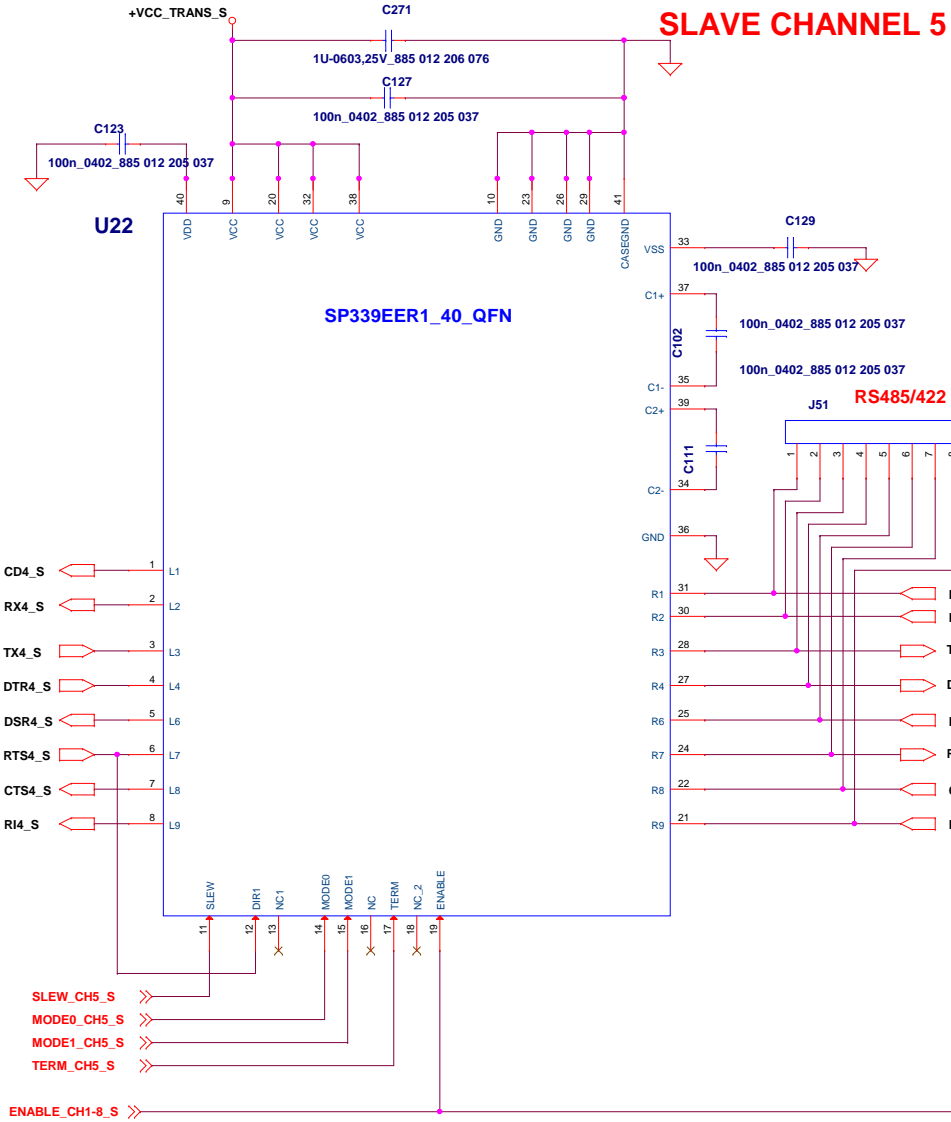
Title			SLAVE SPI GPIO EXPANSION		
Size	Document Number				Rev
Customer	CR17V358/SP339-E8 Evaluation Board				4.0
Date:	Friday, March 06, 2015	Sheet	14	of	18



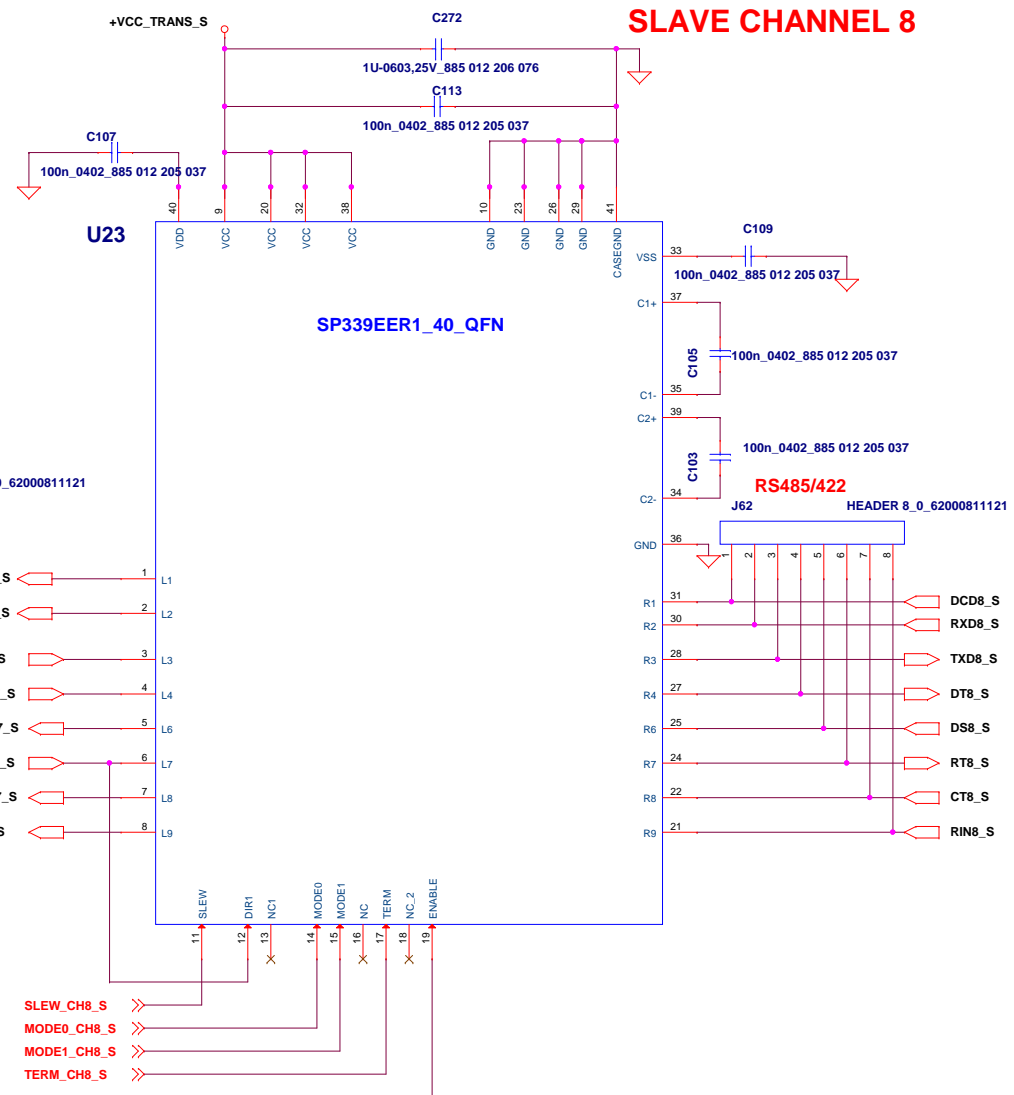
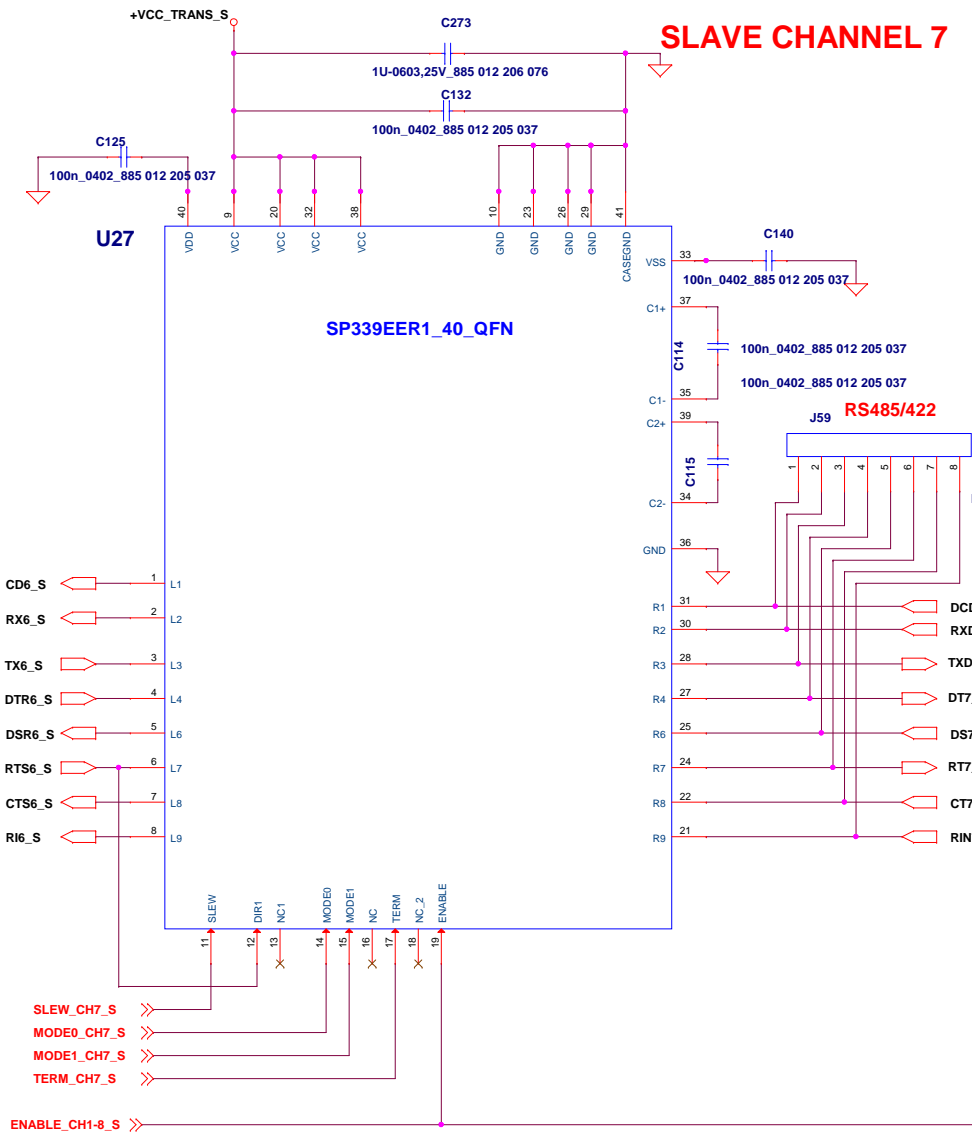
Title			SLAVE RS232/485 CHANNEL 1-2
Size	Document Number	Rev	
Cust	XR17V358/SP339-E8 Evaluation Board	4.0	
Date:	Friday, March 06, 2015	Sheet	15 of 18



Title			SLAVE RS232/485 CHANNEL 3-4
Size	Document Number	Rev	
Cust	XR17V358/SP339-E8 Evaluation Board	4.0	
Date:	Friday, March 06, 2015	Sheet	16 of 18



Title			
SLAVE RS232/485 CHANNEL 5-6			
Size	Document Number	Rev	
Customer	XR17V358/SP339-E8 Evaluation Board	4.0	
Date:	Friday, March 06, 2015	Sheet	17 of 18



Title			SLAVE RS232/485 CHANNEL 7-8
Size	Document Number	Rev	
Cust#	XR17V358/SP339-E8 Evaluation Board	4.0	
Date:	Friday, March 06, 2015	Sheet	18 of 18