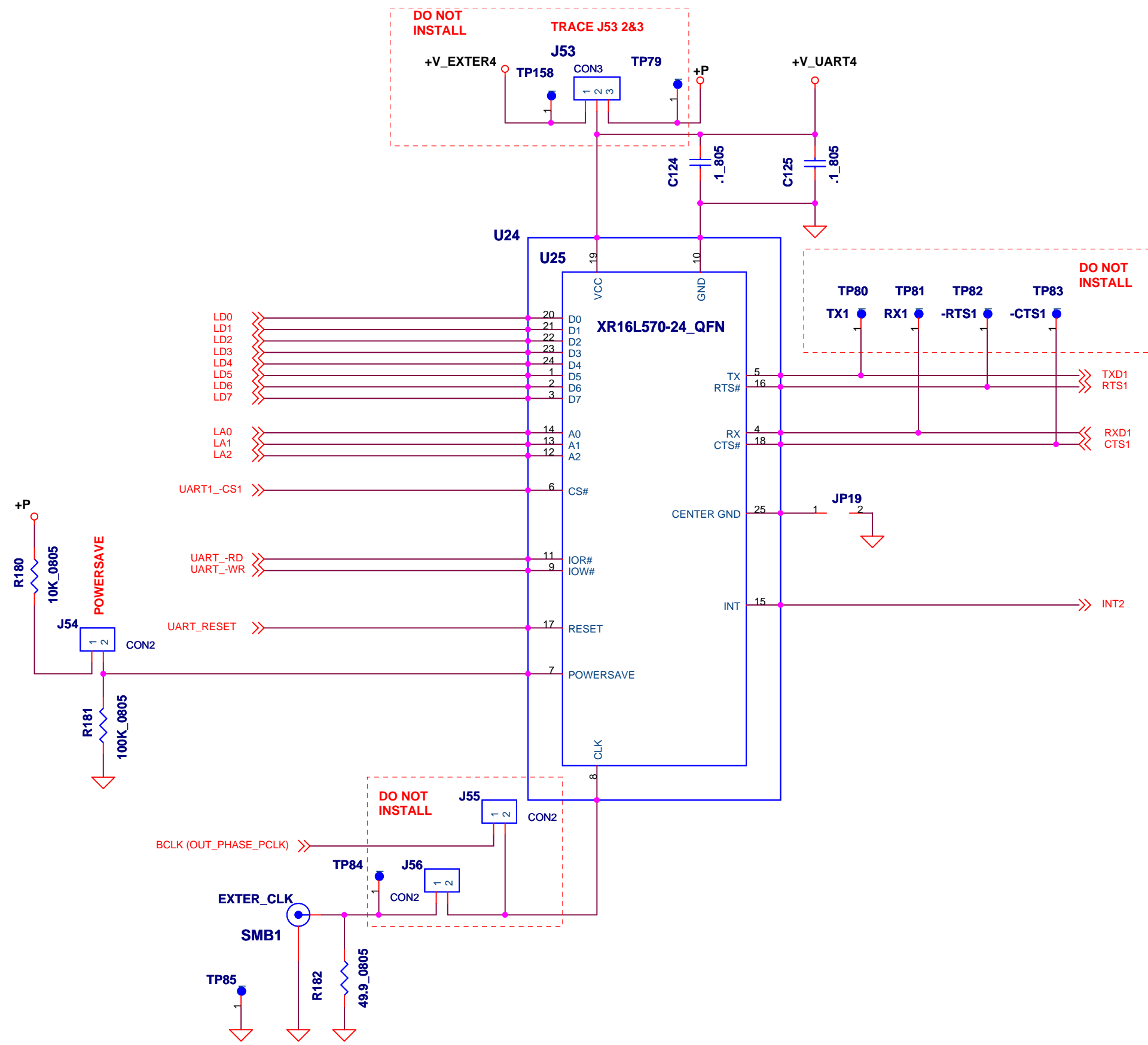
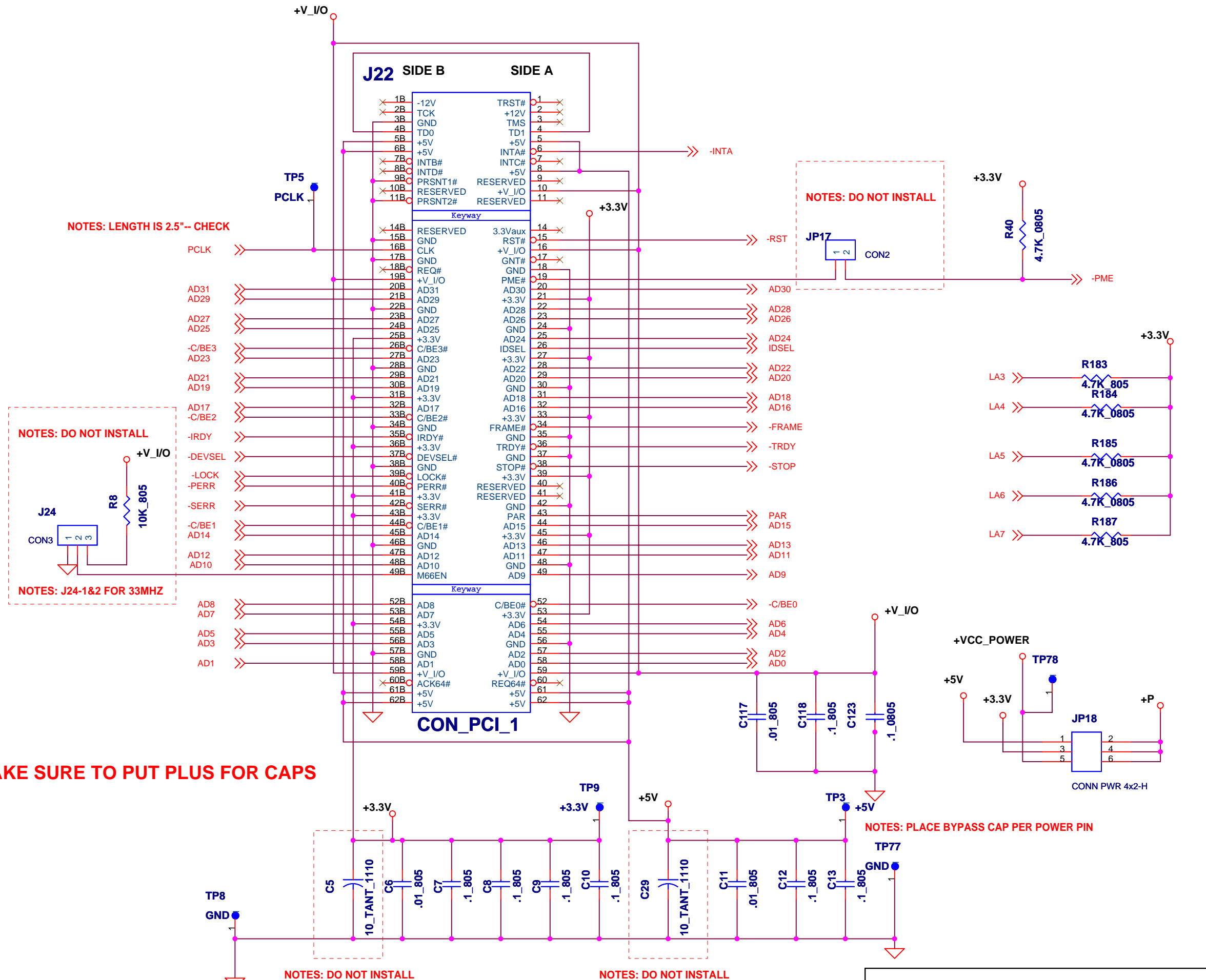


Title		
XR16V182 EVALUATION BOARD		
Size	Document Number	Rev
Custom	RS422 IR INTERFACE	1.1
Date:	Tuesday, July 17, 2007	Sheet 1 of 9



Title		
XR16V182 EVALUATION BOARD		
Size	Document Number	Rev
Custom	XR16V570 24 QFN INTERFACE 1.1	
Date:	Tuesday, July 17, 2007	Sheet 2 of 9



NOTES: LENGTH IS 2.5" -- CHECK

NOTES: DO NOT INSTALL

J24
CON3

NOTES: J24-1&2 FOR 33MHZ

NOTES: DO NOT INSTALL

JP17
CON2

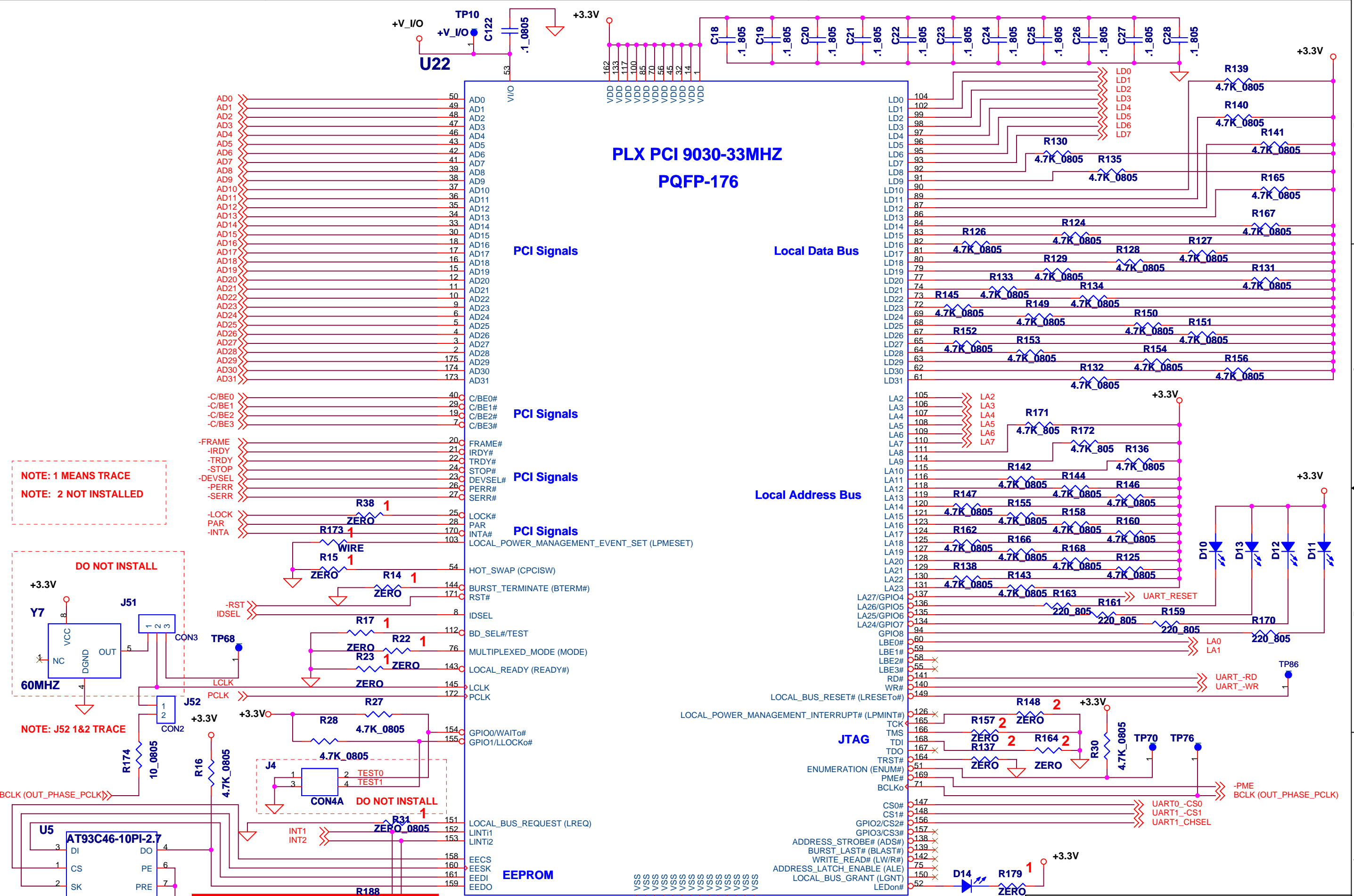
NOTE: MAKE SURE TO PUT PLUS FOR CAPS

NOTES: DO NOT INSTALL

NOTES: DO NOT INSTALL

NOTES: PLACE BYPASS CAP PER POWER PIN

Title		
XR16V182 EVALUATION BOARD		
Size	Document Number	Rev
Custom	PCI INTERFACE	1.1
Date:	Tuesday, July 17, 2007	Sheet 3 of 9



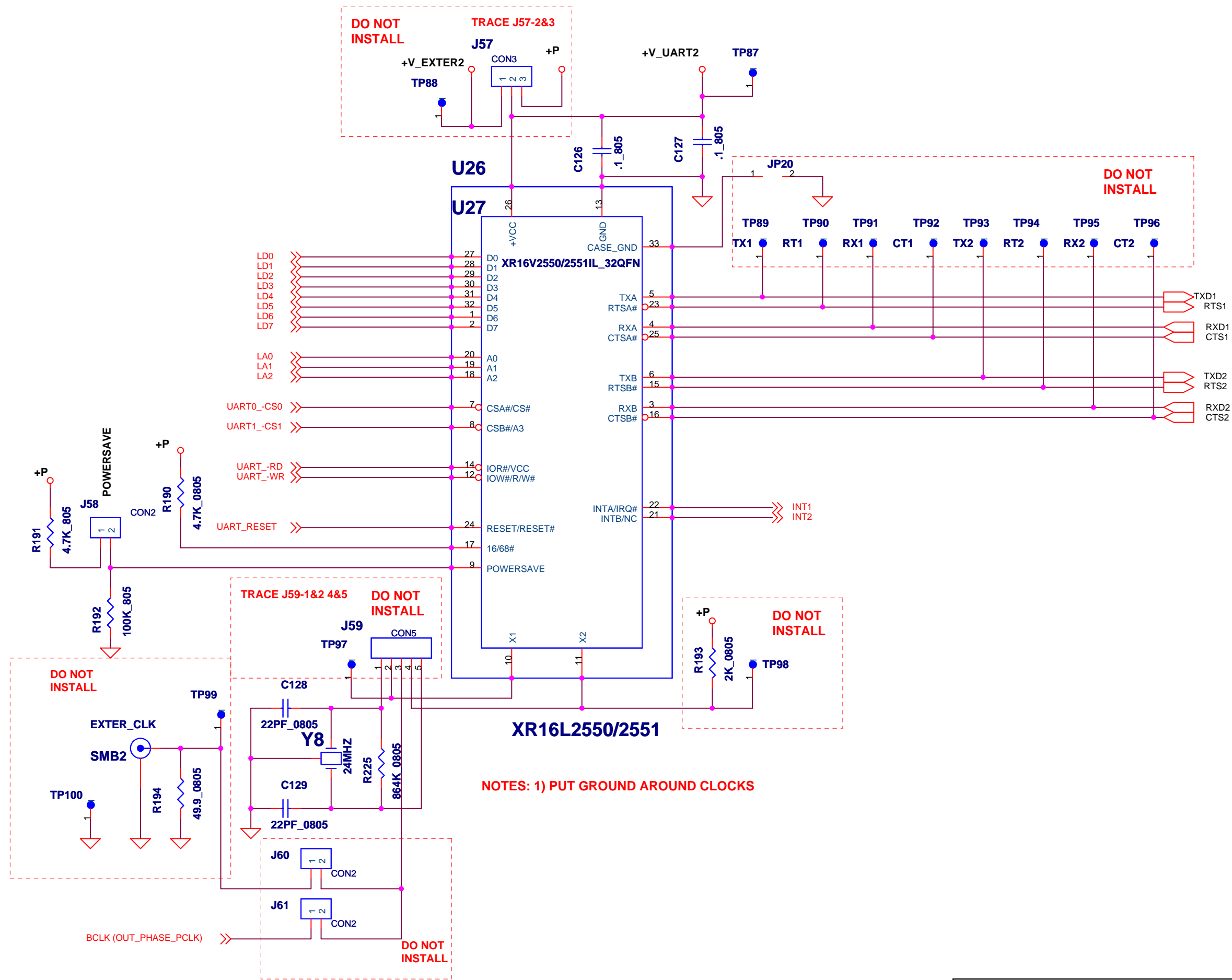
NOTE: 1 MEANS TRACE
NOTE: 2 NOT INSTALLED

DO NOT INSTALL

NOTE: J52 1&2 TRACE

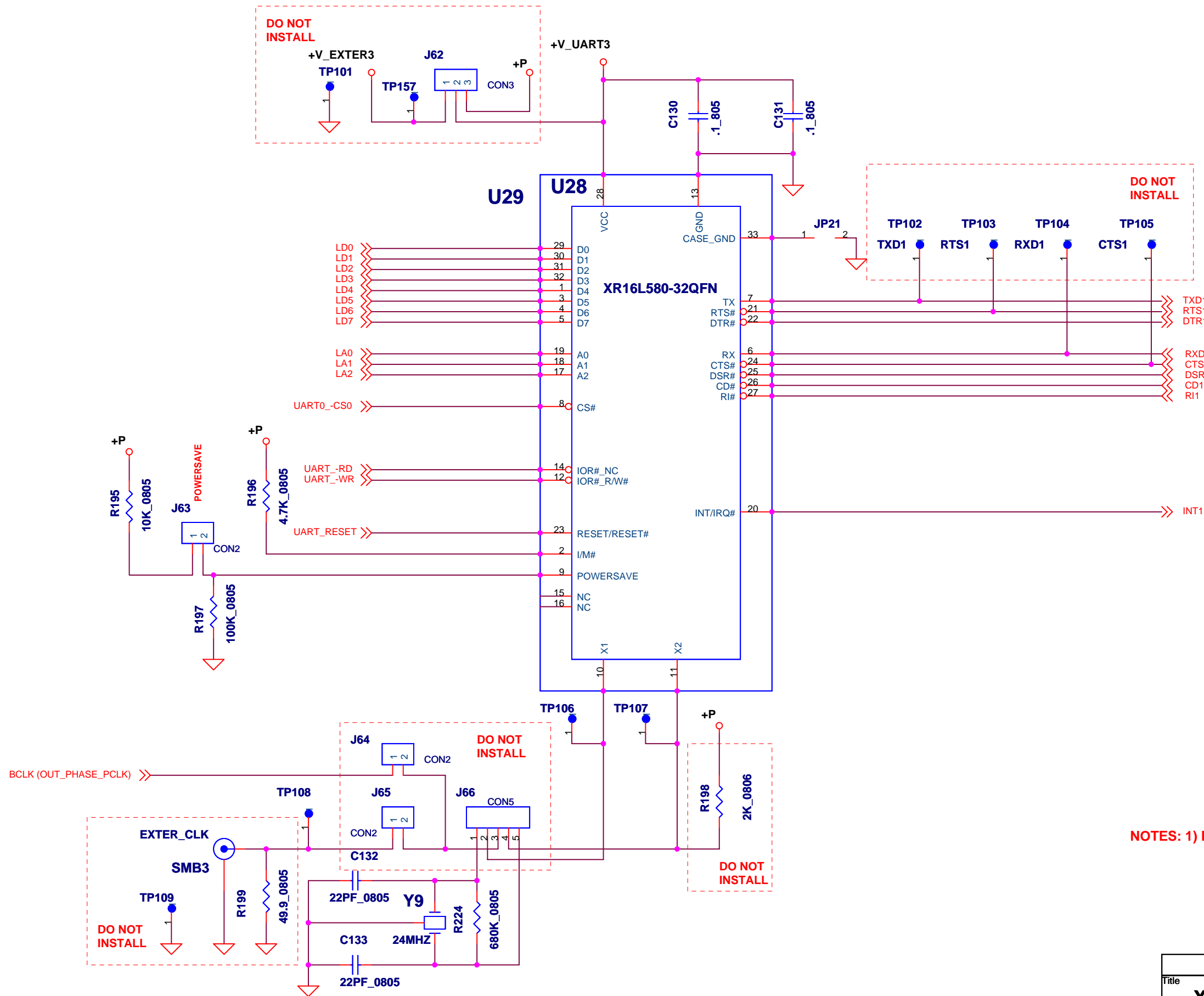
NOTE: WAS +P NOW GROUNDED

Title		
XR16V182 EVALUATION BOARD		
Size	Document Number	Rev
PCI TO ISA BRIDGE INTERFACE 1.1		
Date:	Tuesday, July 17, 2007	Sheet 4 of 9



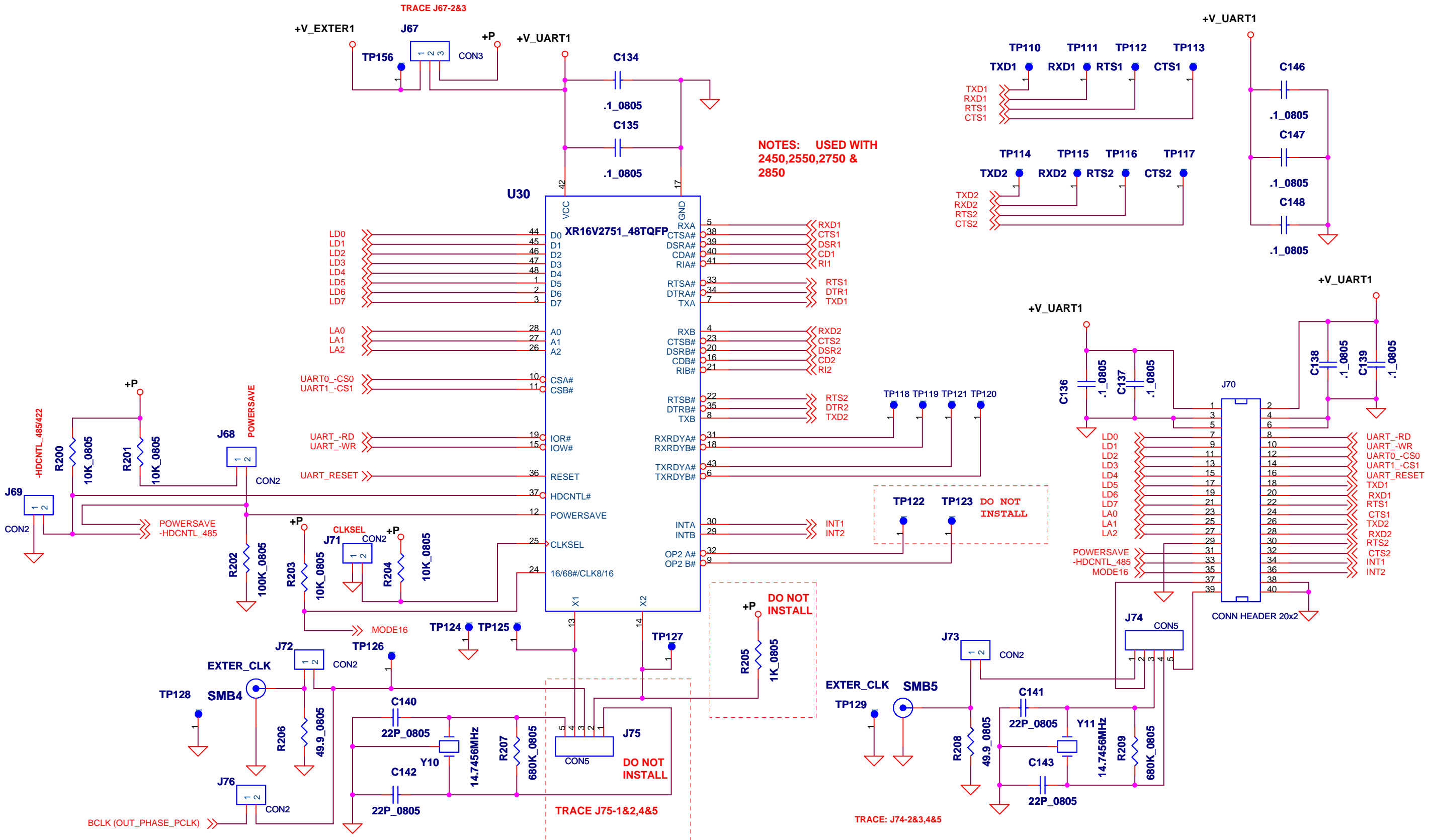
NOTES: 1) PUT GROUND AROUND CLOCKS

Title		
XR16V182 EVALUATION BOARD		
Size	Document Number	Rev
Custom	XR16V2551 32 QFN INTERFACE	1.1
Date:	Tuesday, July 17, 2007	Sheet 5 of 9



NOTES: 1) PUT GROUND AROUND CLOCKS

Title		
XR16V182 EVALUATION BOARD		
Size	Document Number	Rev
Custom	XR16V580 32 QFN INTERFACE	1.1
Date:	Tuesday, July 17, 2007	Sheet 6 of 9



NOTES: USED WITH
2450,2550,2750 &
2850

TRACE: J74-2&3,4&5

TRACE J75-1&2,4&5

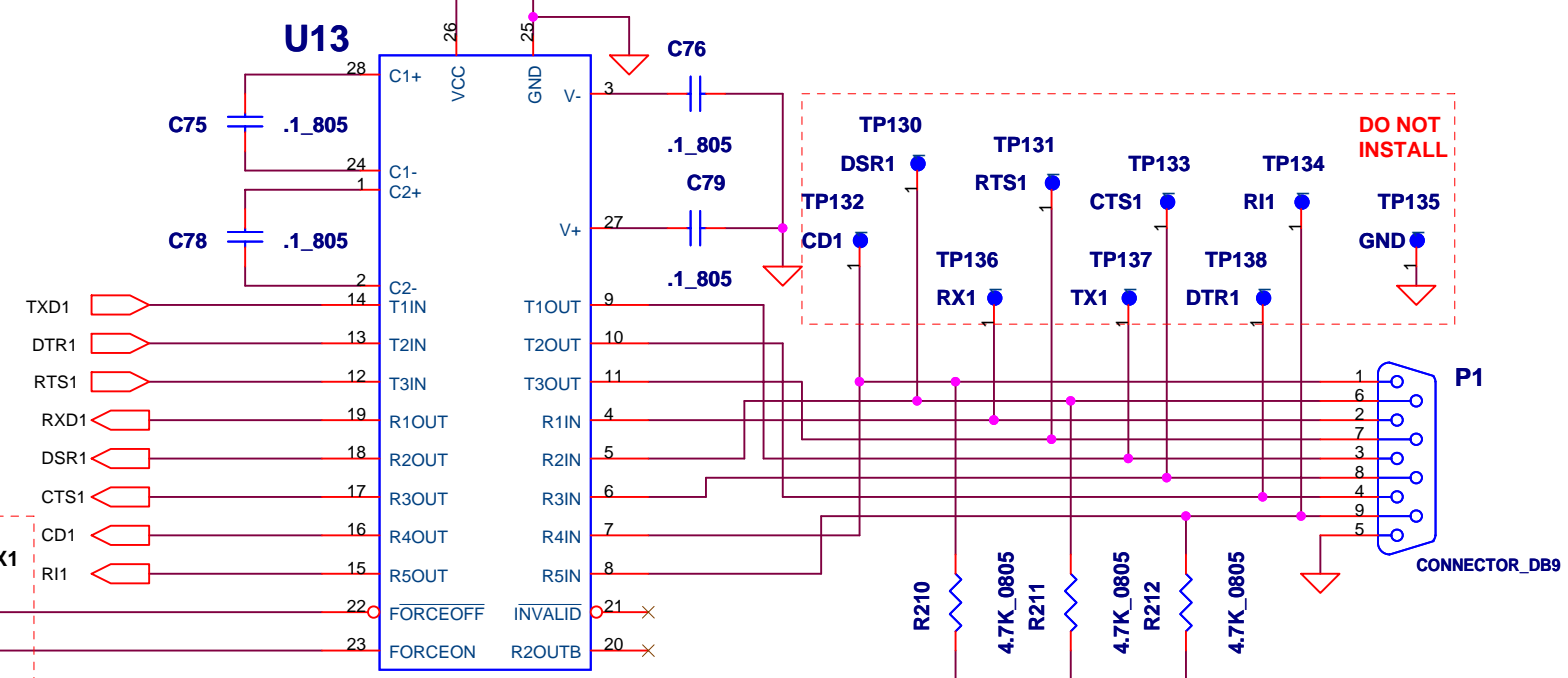
Title		
XR17V182 EVALUATION BOARD		
Size	Document Number	Rev
Custom	XR16V275x 48 TQFP INTERFACE1.1	
Date:	Tuesday, July 17, 2007	Sheet 7 of 9

DO NOT INSTALL

EXTER_MAX1
J32
CON3

NOTE: TRACE J32-1&2

16Vxxxx-Channel 1



SP3245EEA-L

DO NOT INSTALL

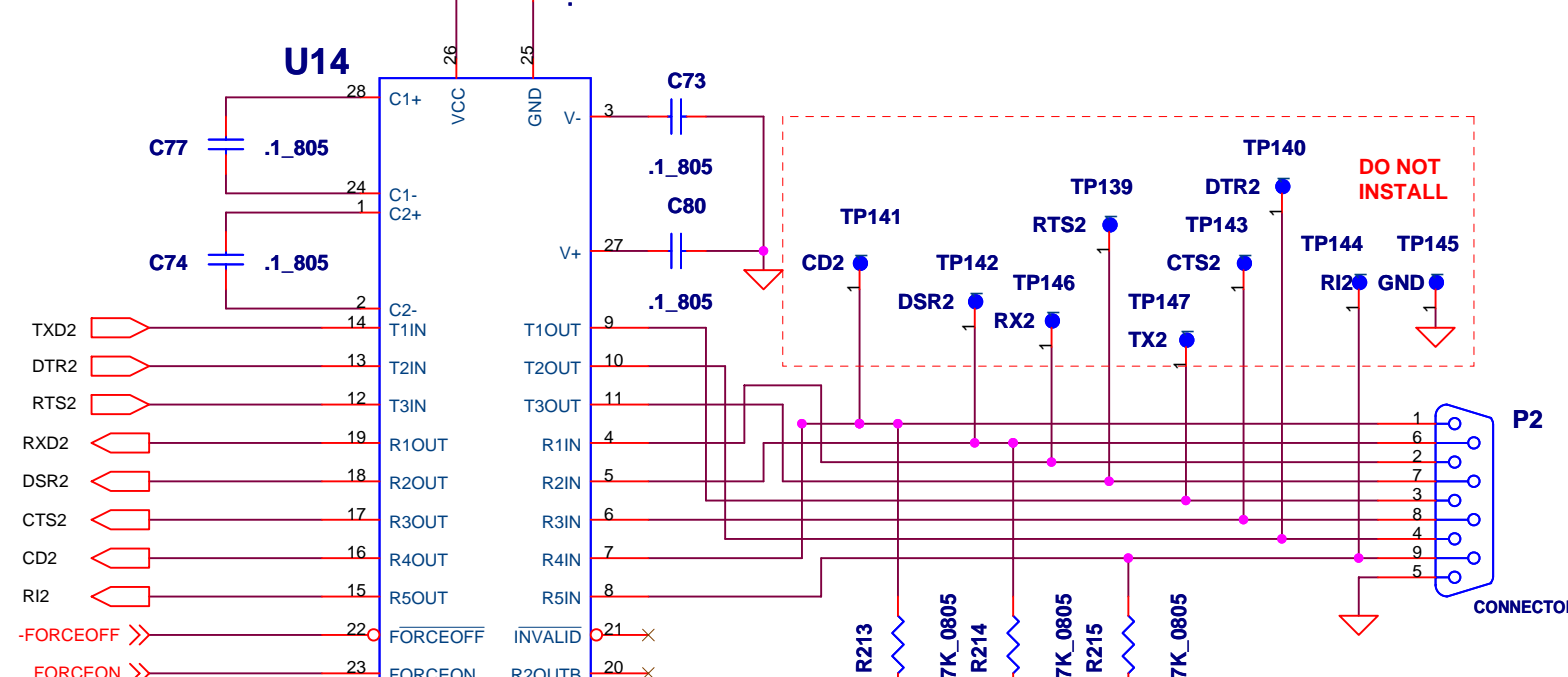
+VMAX1

J33
CON3

J34
CON3

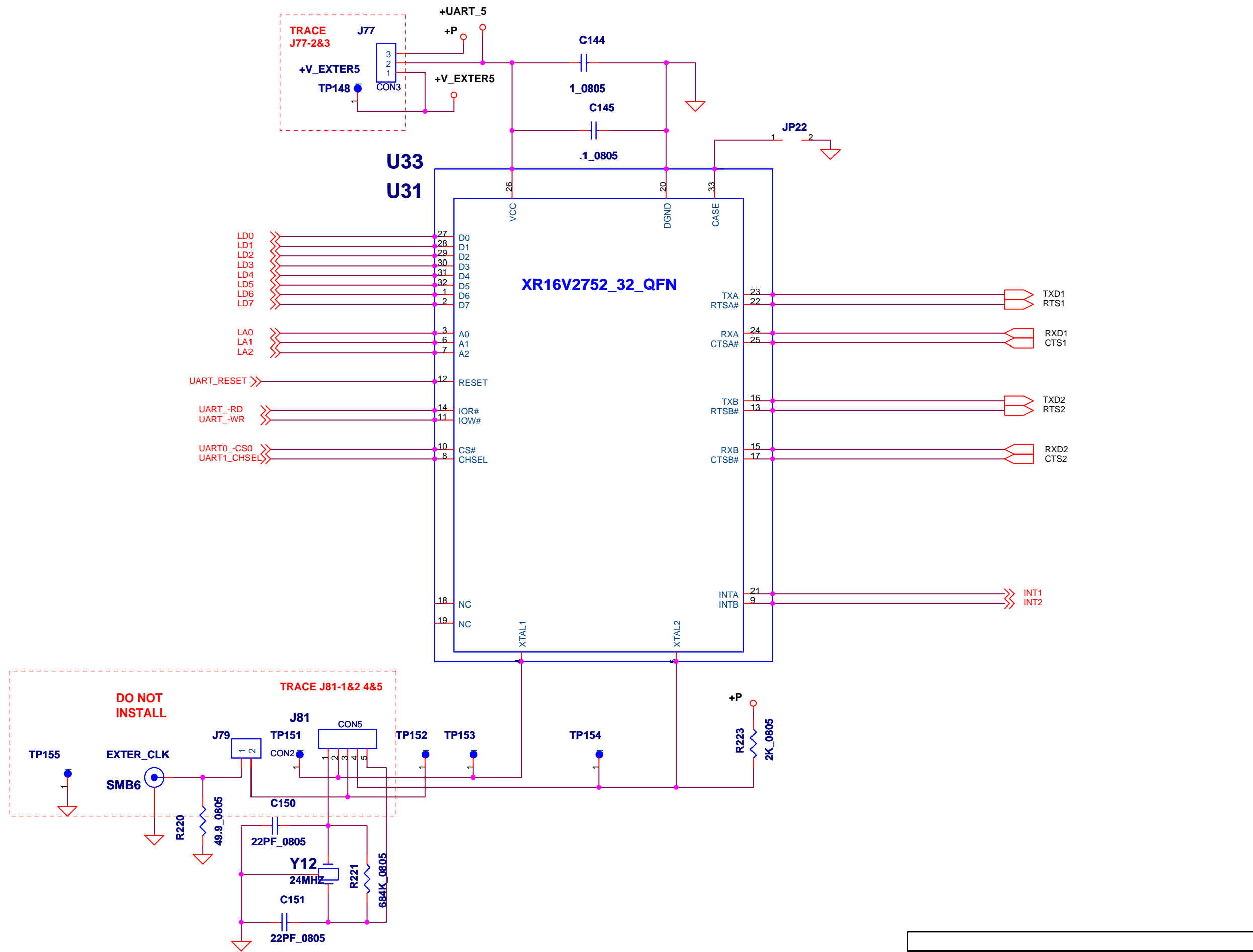
-FORCEOFF
FORCEON

16Vxxxx-Channel 2



SP3245EEA-L

Title		
XR16V182 EVALUATION BOARD		
Size	Document Number	Rev
Custom	16V275x TRANSCEIVERS	1.1
Date:	Tuesday, July 17, 2007	Sheet 8 of 9



Title		
XR16V182 EVALUATION BOARD		
Size	Document Number	Rev
XR16V2752 32 QFN INTERFACE		1.1
Date:	Tuesday, July 17, 2007	Sheet 9 of 9