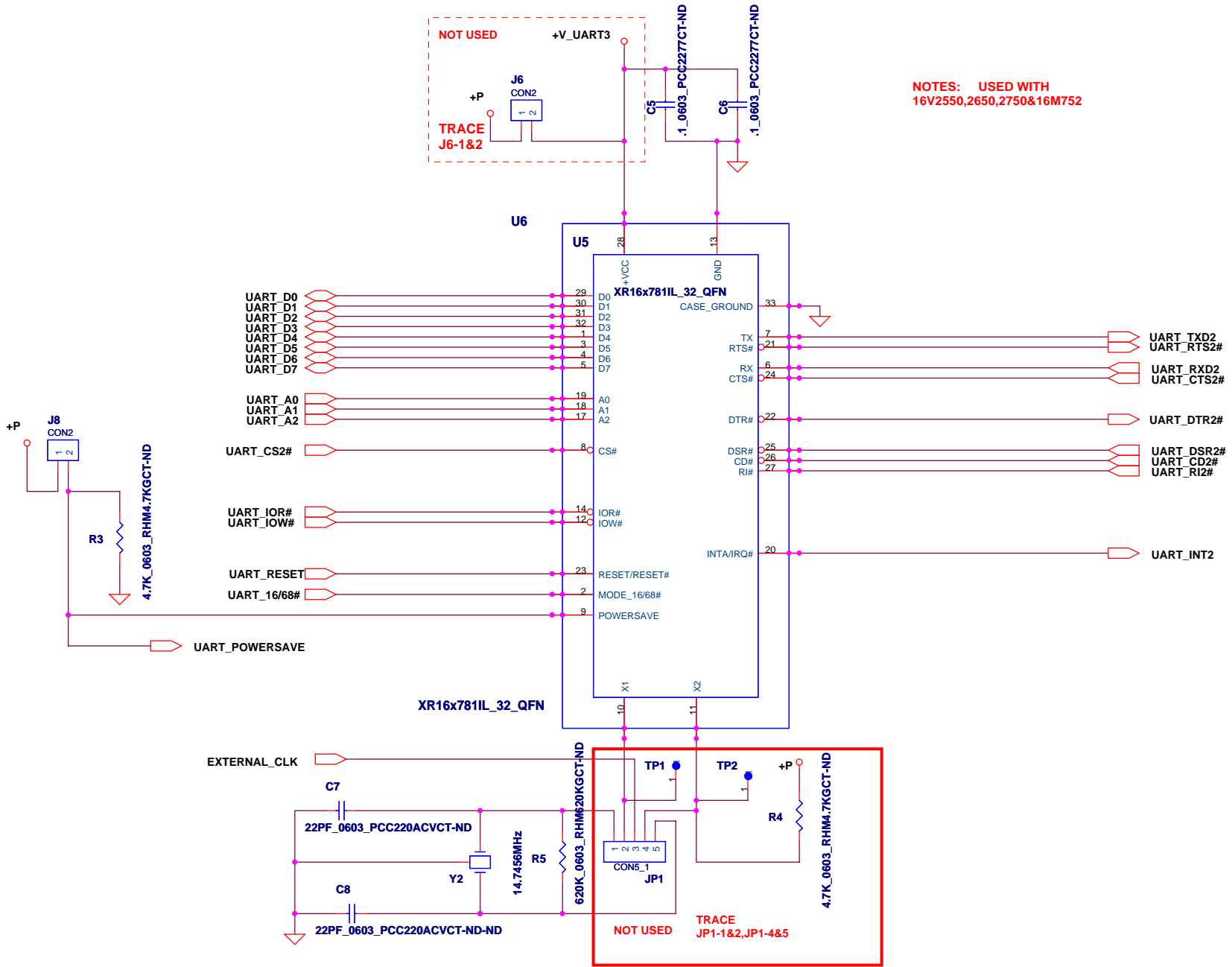
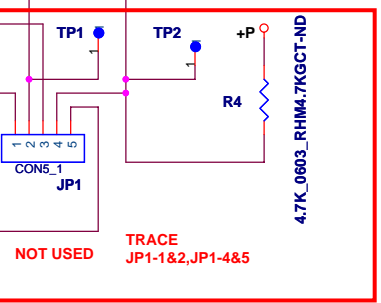


NOTE: NOT INSTALLED

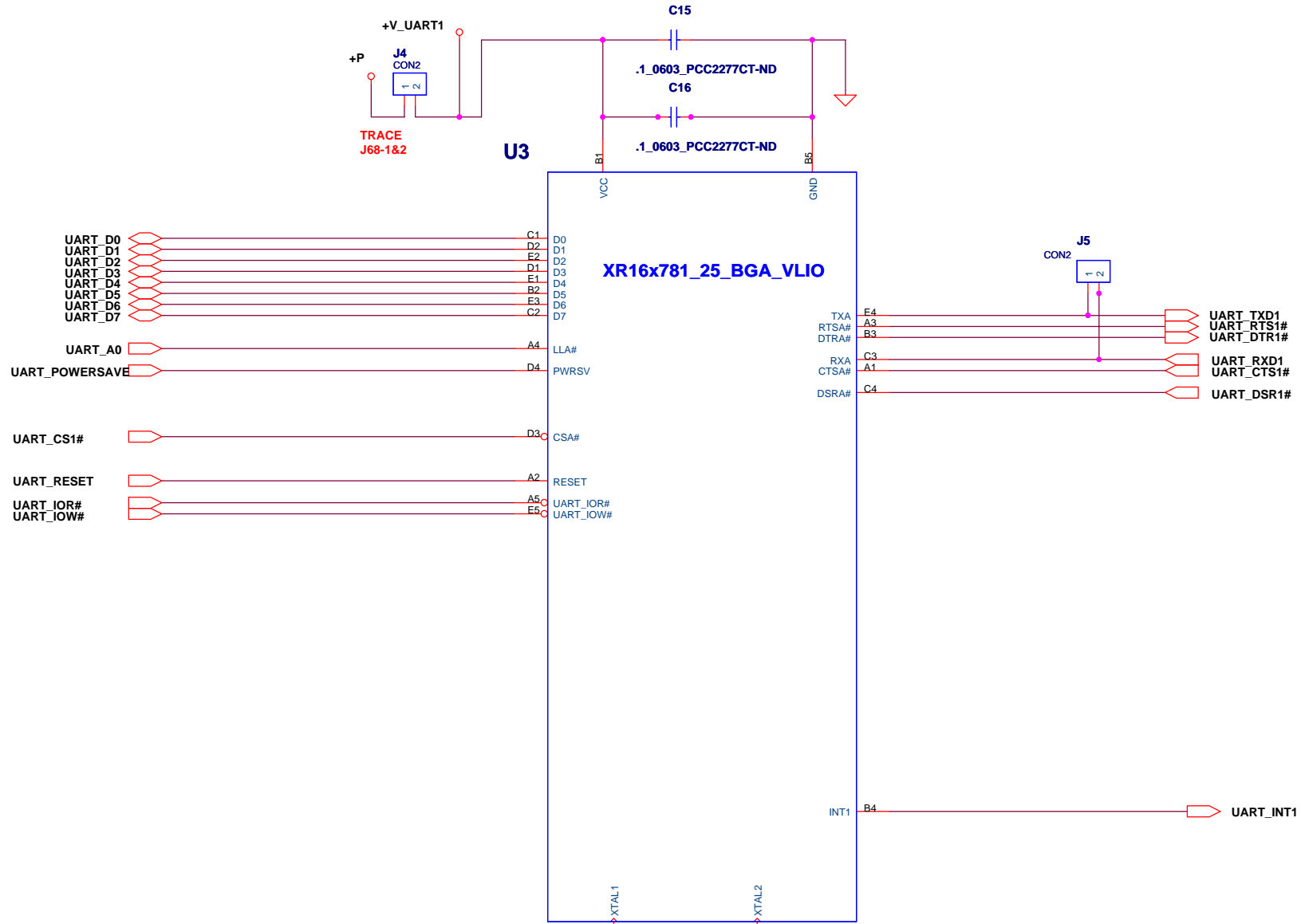
Title		XR16x781 DD EVAL BOARD	
Size	Document Number	Date:	Rev
	IO INTERFACE	Wednesday, April 22, 2009	1.0
Sheet		1 of 4	



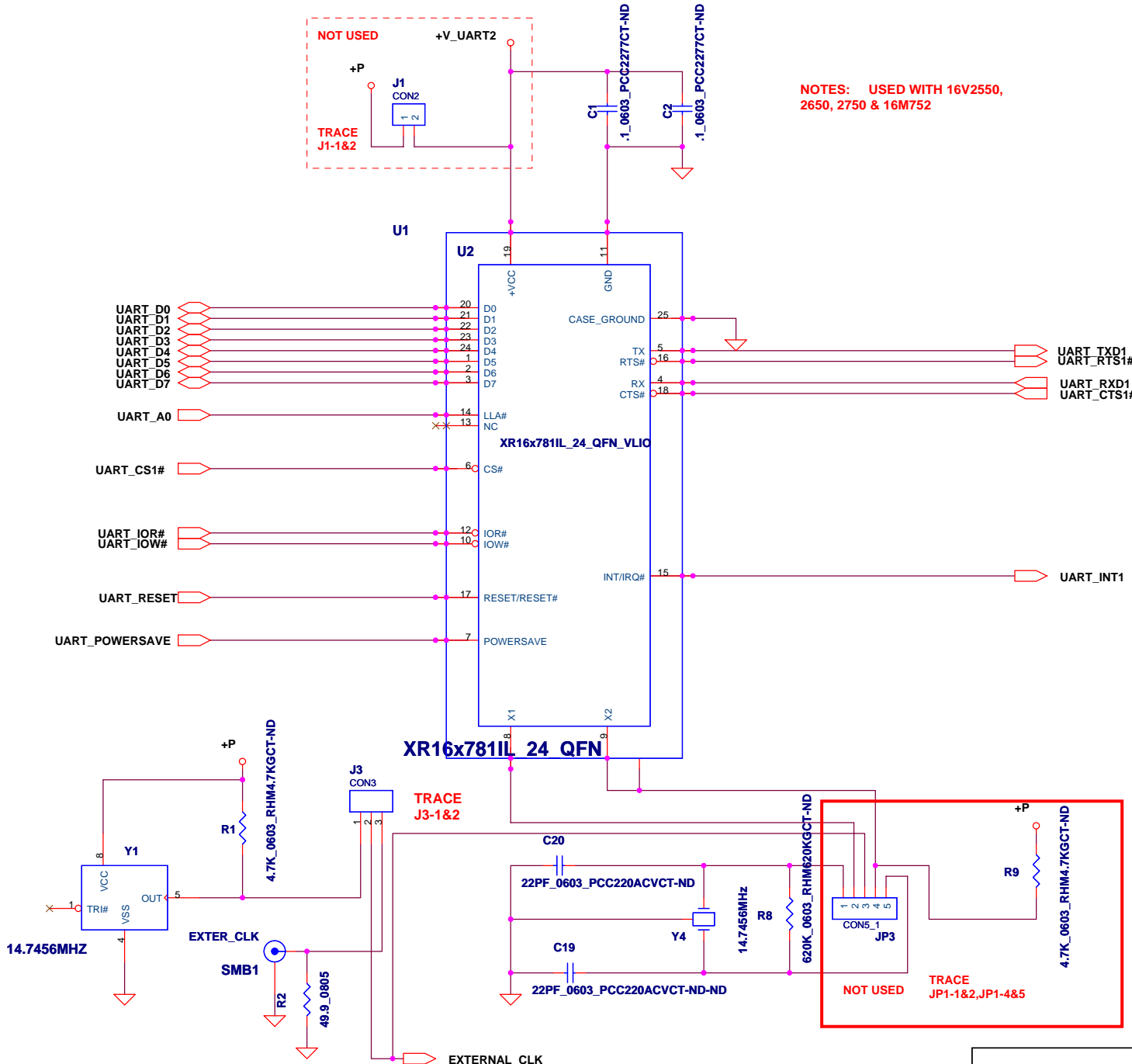
NOTES: USED WITH
16V2550,2650,2750&16M752



Title		XR16x781 32 QFN EVAL BOARD	
Size	Document Number	Rev	
Custom	XR16x781 32 QFN_VLIO INTERFACE	1.0	
Date:	Wednesday, April 22, 2009	Sheet	2 of 4



Title		
XR16x781 25 BGA EVAL BOARD		
Size	Document Number	Rev
Custom	XR16x781 25_BGA_VLIO INTERFACE	1.0
Date:	Wednesday, April 22, 2009	Sheet 3 of 4



NOTES: USED WITH 16V2550,
2650, 2750 & 16M752

Title		XR16x781 24 QFN EVAL BOARD	
Size	Document Number	Rev	
Custom	XR16x781 24_QFN_VLIO INTERFACE	1.0	
Date:	Wednesday, April 22, 2009	Sheet	4 of 4