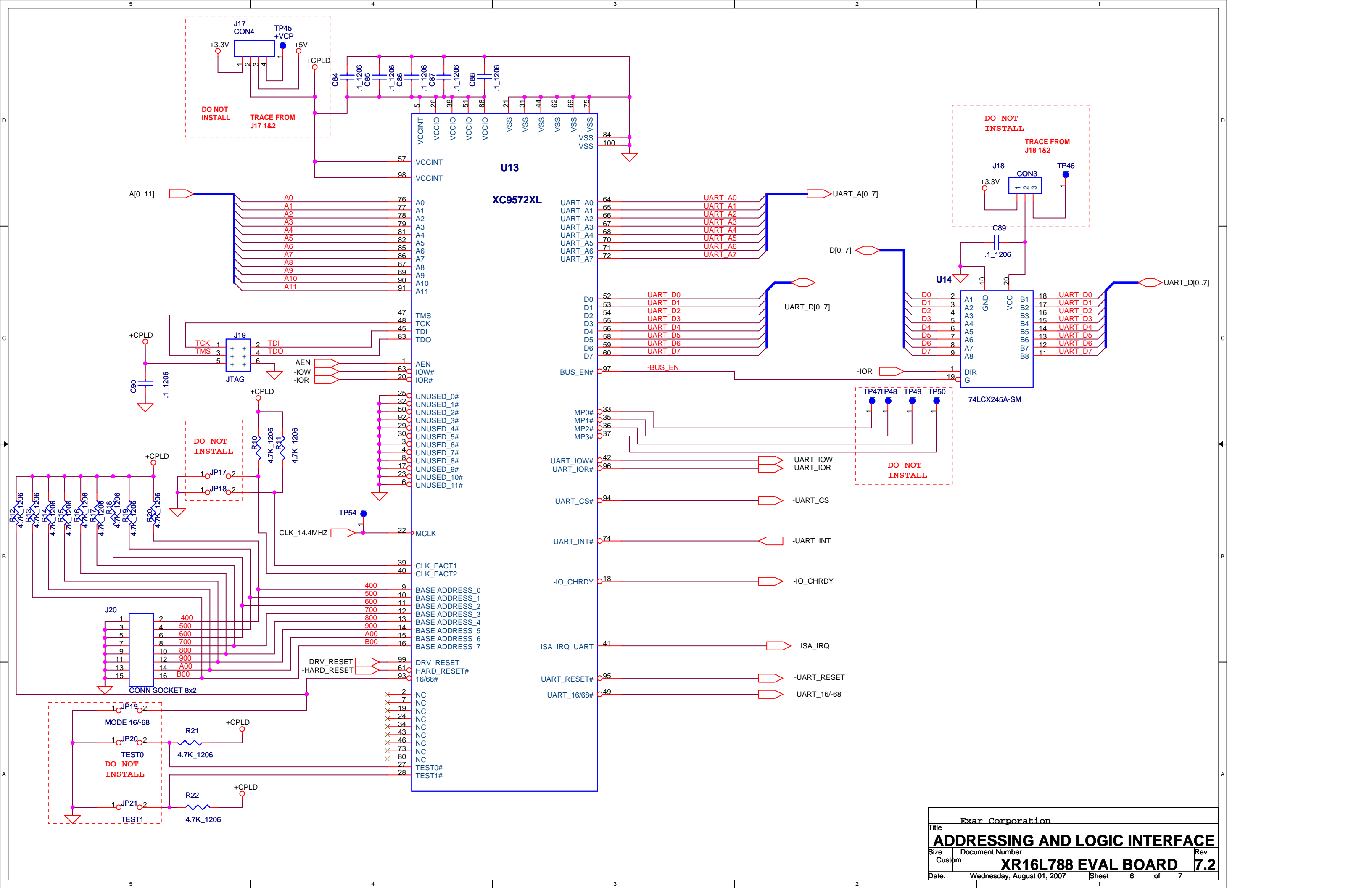


Title		
<b>RS-422/485 INTERFACE</b>		
Size	Document Number	Rev
Custom	<b>XR16L788 EVAL BOARD</b>	<b>7.2</b>
Date:	Wednesday, August 01, 2007	Sheet 7 of 7



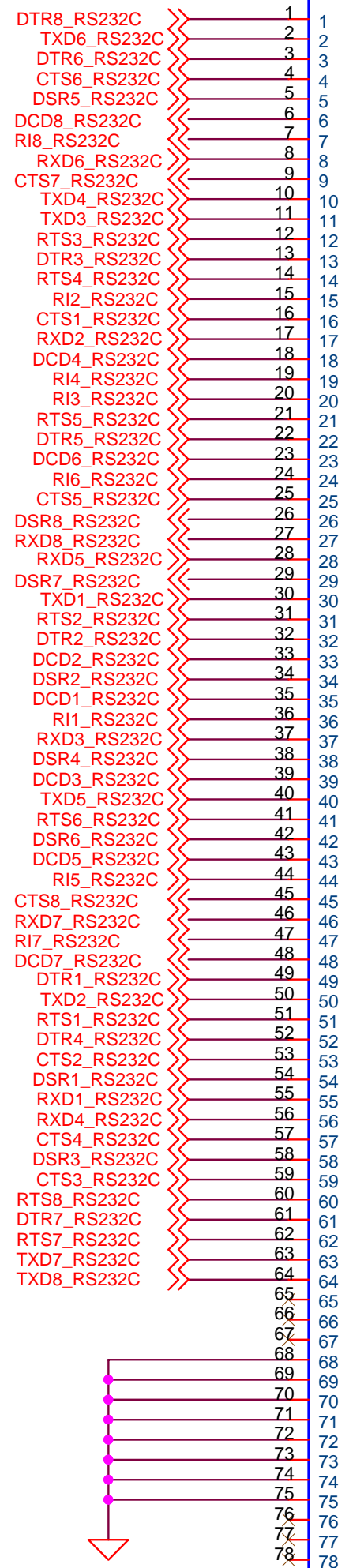
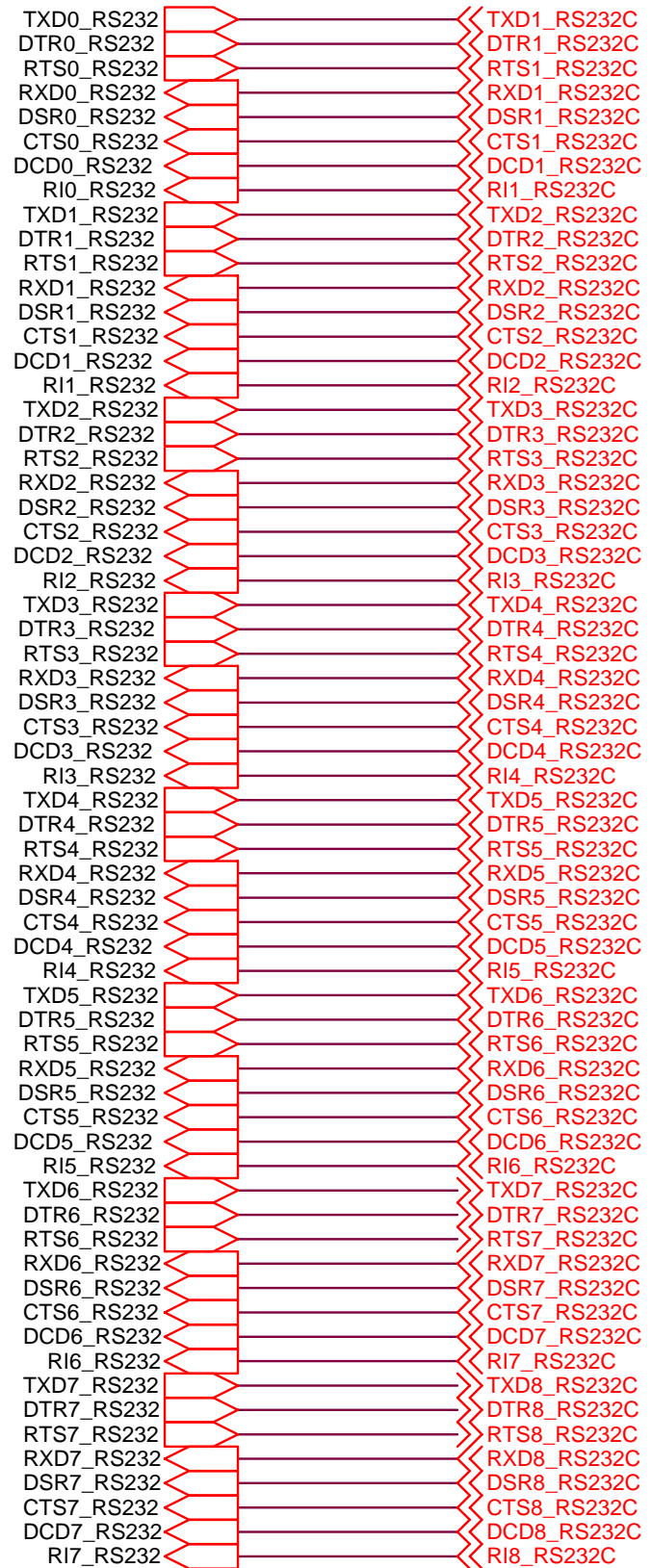
DO NOT INSTALL  
TRACE FROM J17 1&2

DO NOT INSTALL  
TRACE FROM J18 1&2

DO NOT INSTALL

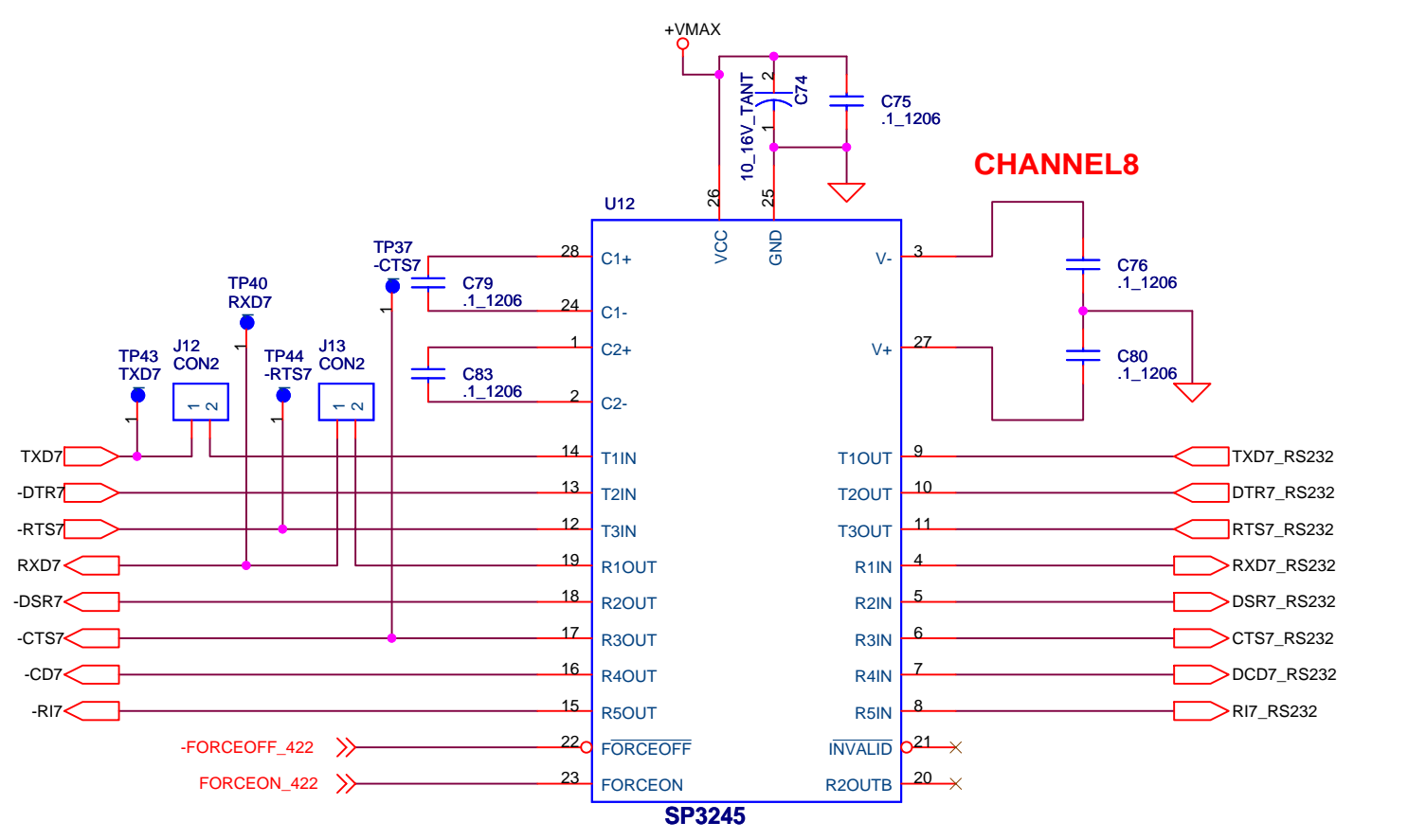
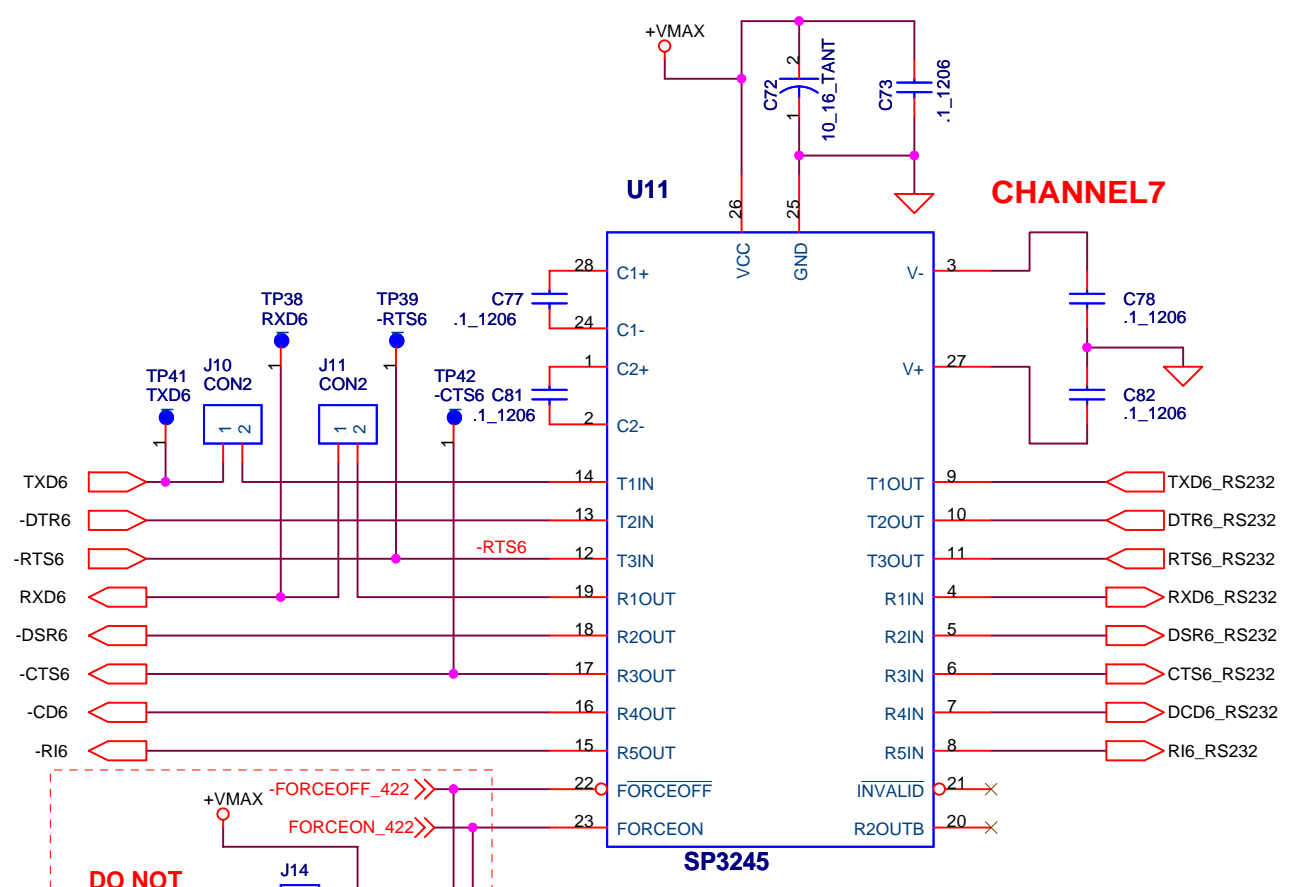
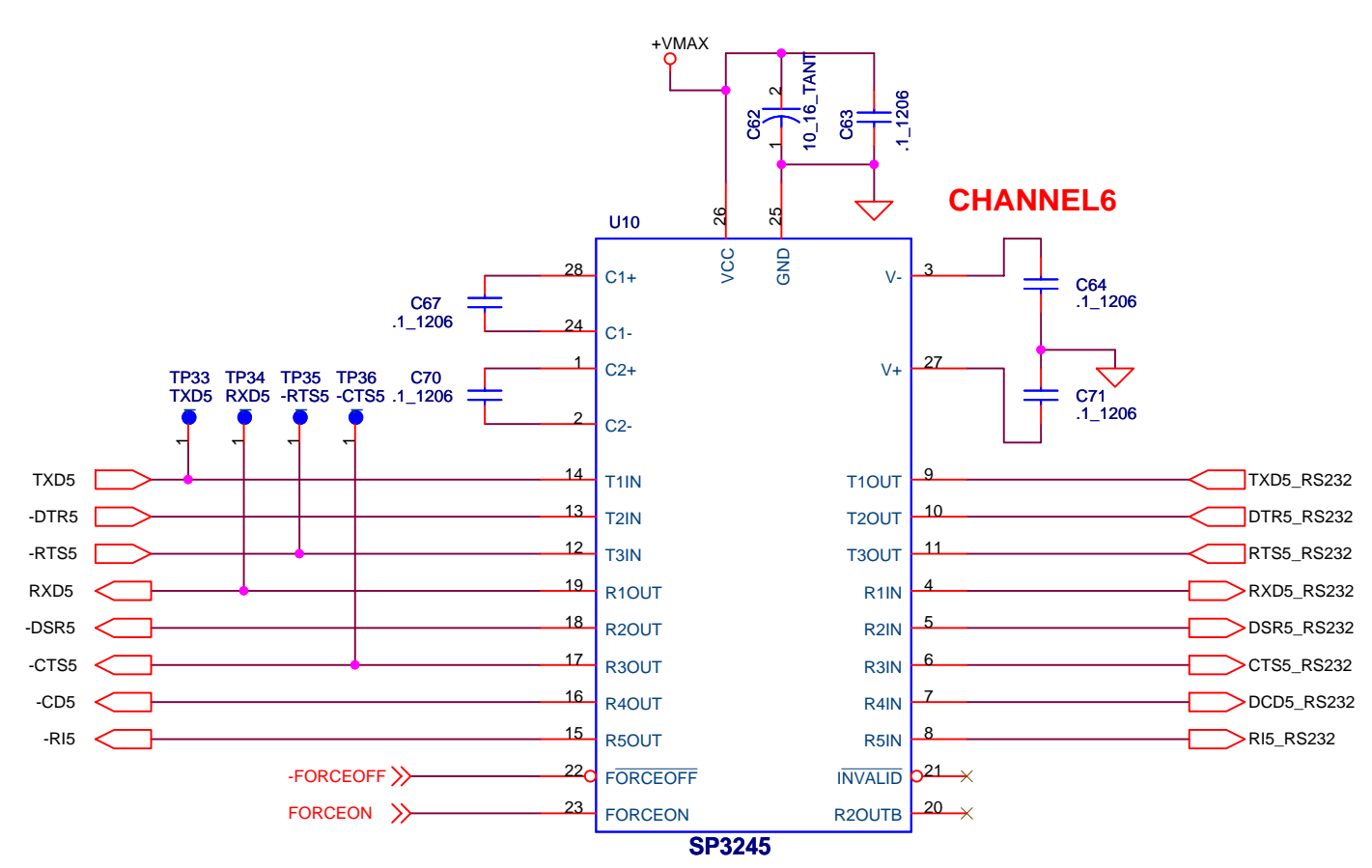
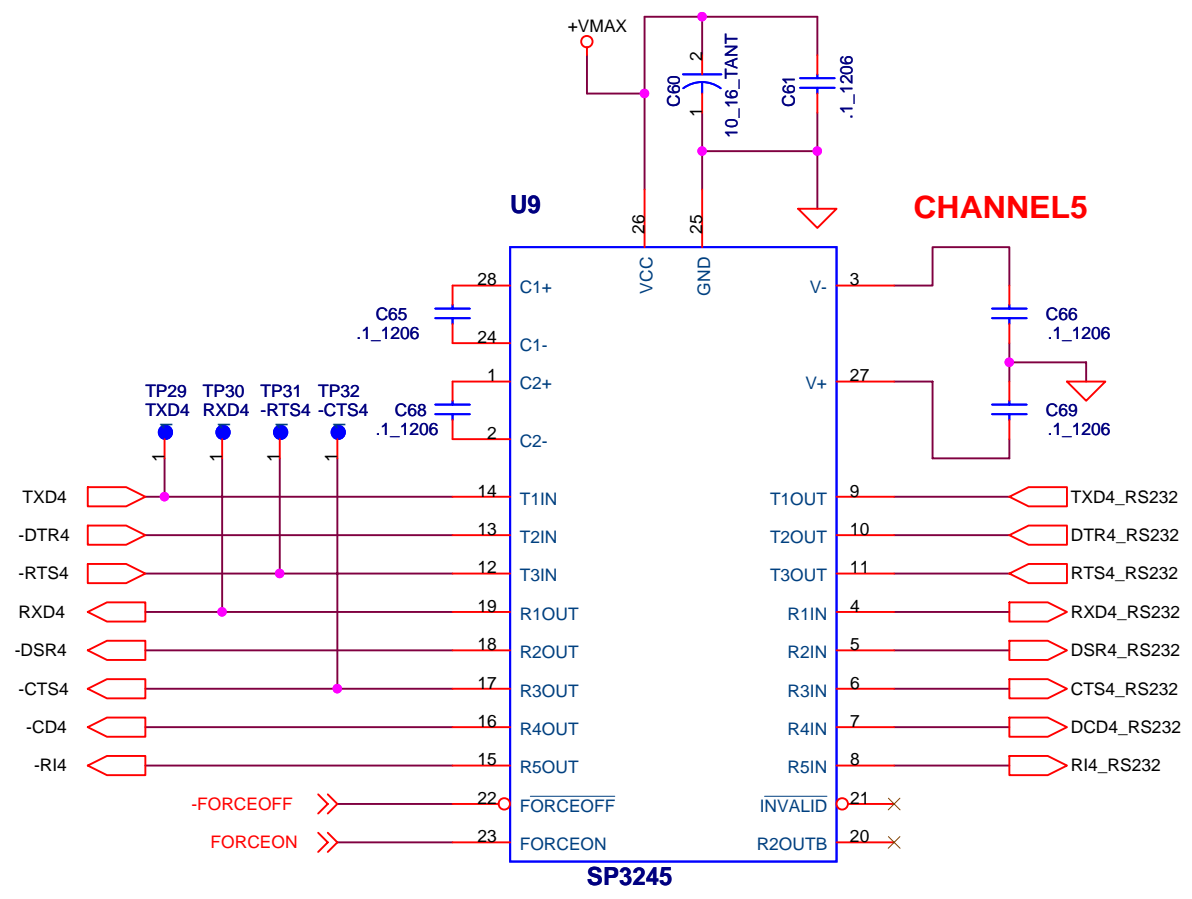
DO NOT INSTALL

Exar Corporation		
Title <b>ADDRESSING AND LOGIC INTERFACE</b>		
Size Custom	Document Number <b>XR16L788 EVAL BOARD</b>	Rev <b>7.2</b>
Date: Wednesday, August 01, 2007	Sheet 6	of 7



**J16  
CON78**

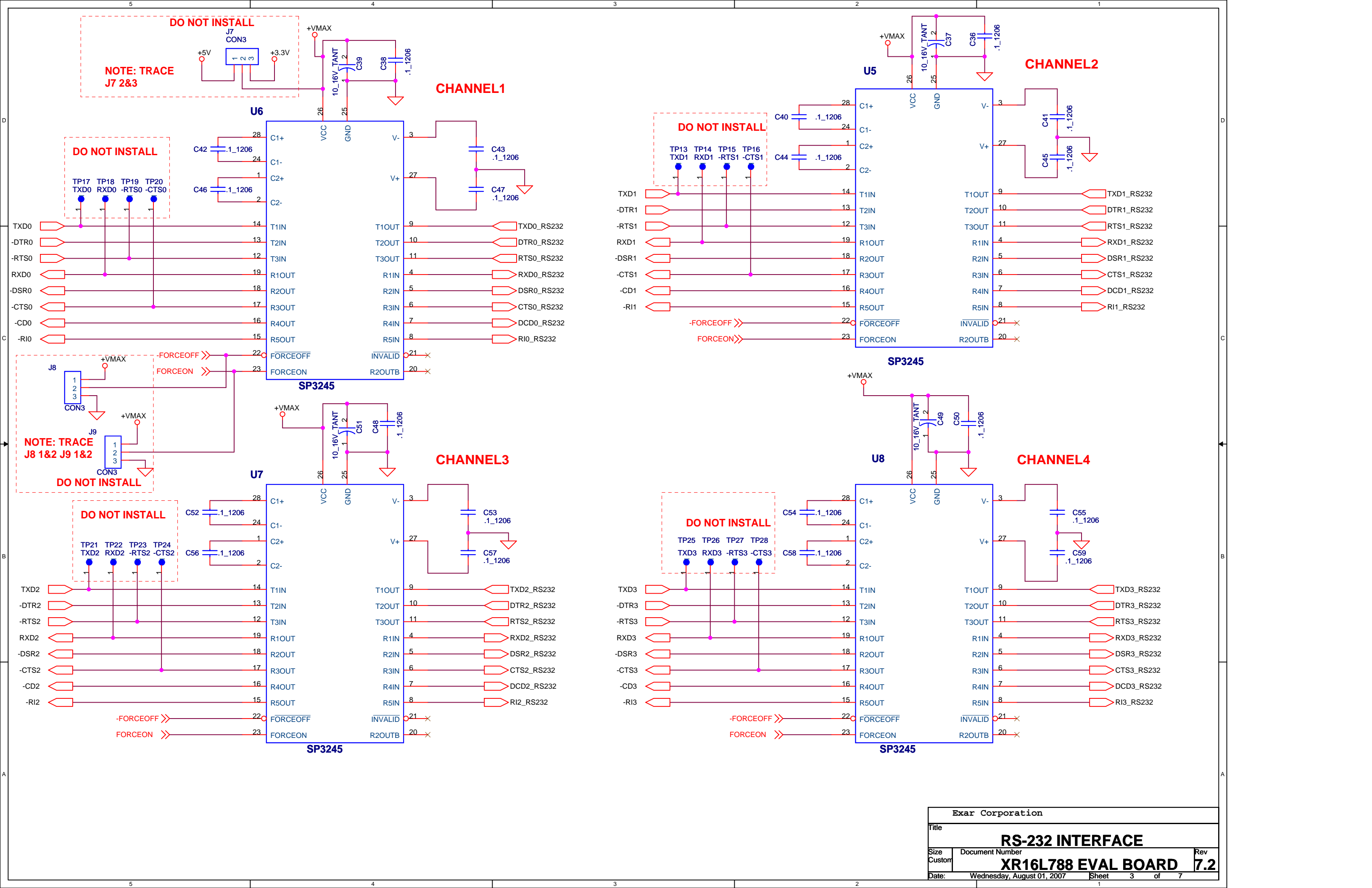
Exar Corporation		
Title <b>RS-232 TO CABLE CONVERSION</b>		
Size Custom	Document Number <b>XR16L788 EVAL BOARD</b>	Rev <b>7.2</b>
Date: Wednesday, August 01, 2007	Sheet 5 of 7	

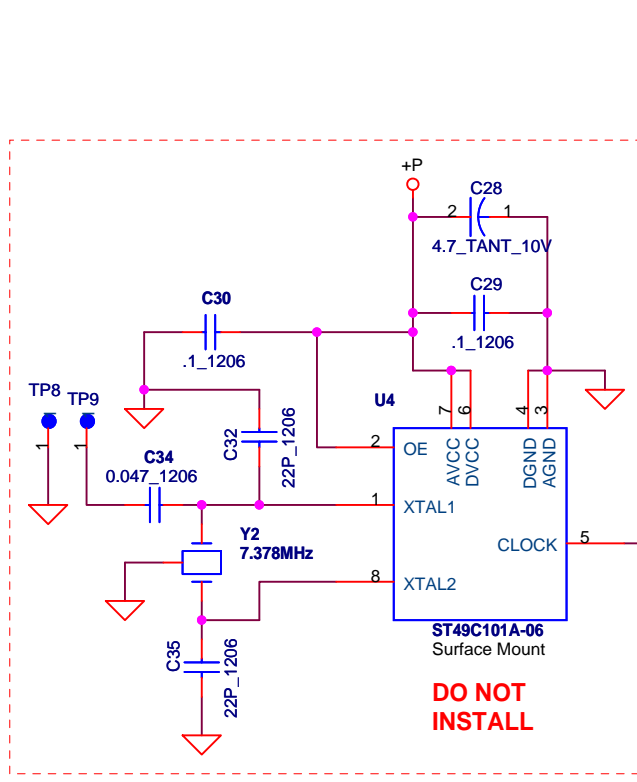


**DO NOT INSTALL**

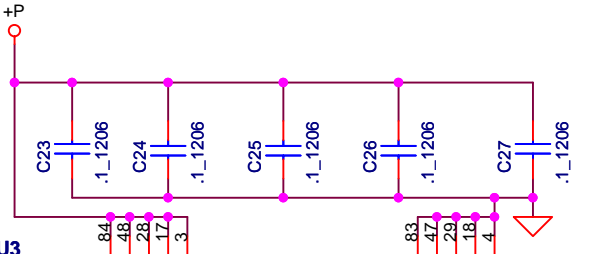
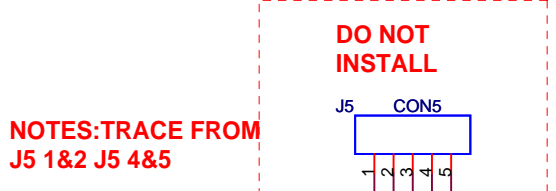
**TRACE J14/J15 1&2**

Exar Corporation		
Title		
<b>RS-232 INTERFACE</b>		
Size	Document Number	Rev
Custom	<b>XR16L788 EVAL BOARD</b>	<b>7.2</b>
Date:	Wednesday, August 01, 2007	Sheet 4 of 7



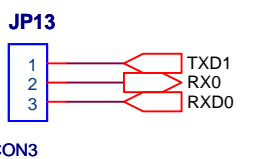
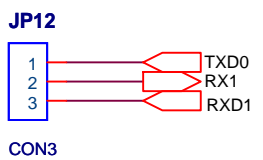


NOTES: TRACE FROM J5 1&2 J5 4&5

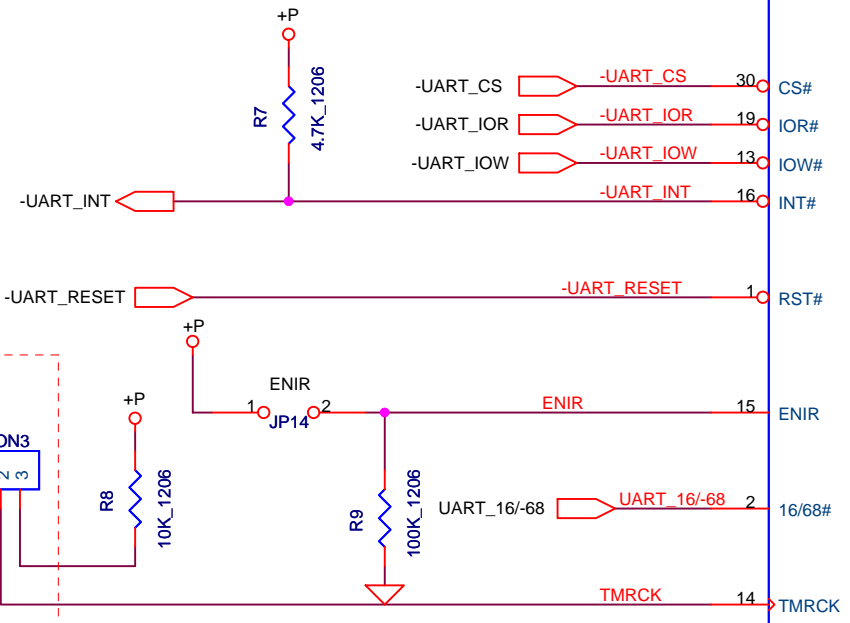
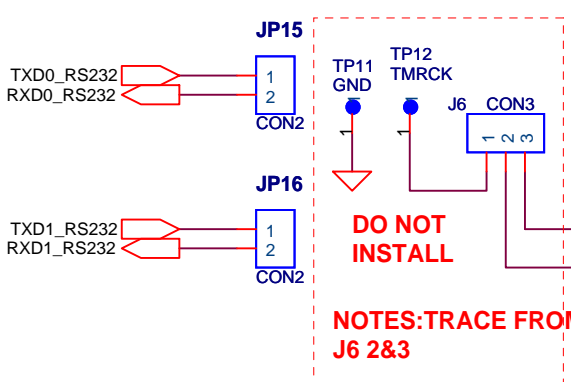


XR16L788  
TQFP

LOOP BACK CHANNEL 0 TXD  
WITH CHANNEL 1 RXD



LOOP BACK CHANNEL 1 TXD  
WITH CHANNEL 0 RXD



TX0	93	TXD0
CTS0#	99	-CTS0
DSR0#	98	-DSR0
CD0#	97	-CD0
RI0#	96	-RI0
RTS0#	95	-RTS0
DTR0#	94	-DTR0
RX0	100	RXD0
TX1	85	TXD1
CTS1#	91	-CTS1
DSR1#	90	-DSR1
CD1#	89	-CD1
RI1#	88	-RI1
RTS1#	87	-RTS1
DTR1#	86	-DTR1
RX1	92	RXD1
TX2	80	TXD2
CTS2#	74	-CTS2
DSR2#	75	-DSR2
CD2#	76	-CD2
RI2#	77	-RI2
RTS2#	78	-RTS2
DTR2#	79	-DTR2
RX2	73	RXD2
TX3	72	TXD3
CTS3#	66	-CTS3
DSR3#	67	-DSR3
CD3#	68	-CD3
RI3#	69	-RI3
RTS3#	70	-RTS3
DTR3#	71	-DTR3
RX3	65	RXD3
TX4	64	TXD4
CTS4#	58	-CTS4
DSR4#	59	-DSR4
CD4#	60	-CD4
RI4#	61	-RI4
RTS4#	62	-RTS4
DTR4#	63	-DTR4
RX4	57	RXD4
TX5	56	TXD5
CTS5#	50	-CTS5
DSR5#	51	-DSR5
CD5#	52	-CD5
RI5#	53	-RI5
RTS5#	54	-RTS5
DTR5#	55	-DTR5
RX5	49	RXD5
TX6	46	TXD6
CTS6#	40	-CTS6
DSR6#	41	-DSR6
CD6#	42	-CD6
RI6#	43	-RI6
RTS6#	44	-RTS6
DTR6#	45	-DTR6
RX6	39	RXD6
TX7	38	TXD7
CTS7#	32	-CTS7
DSR7#	33	-DSR7
CD7#	34	-CD7
RI7#	35	-RI7
RTS7#	36	-RTS7
DTR7#	37	-DTR7
RX7	31	RXD7



