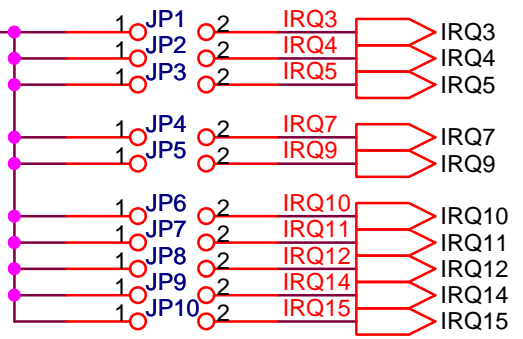
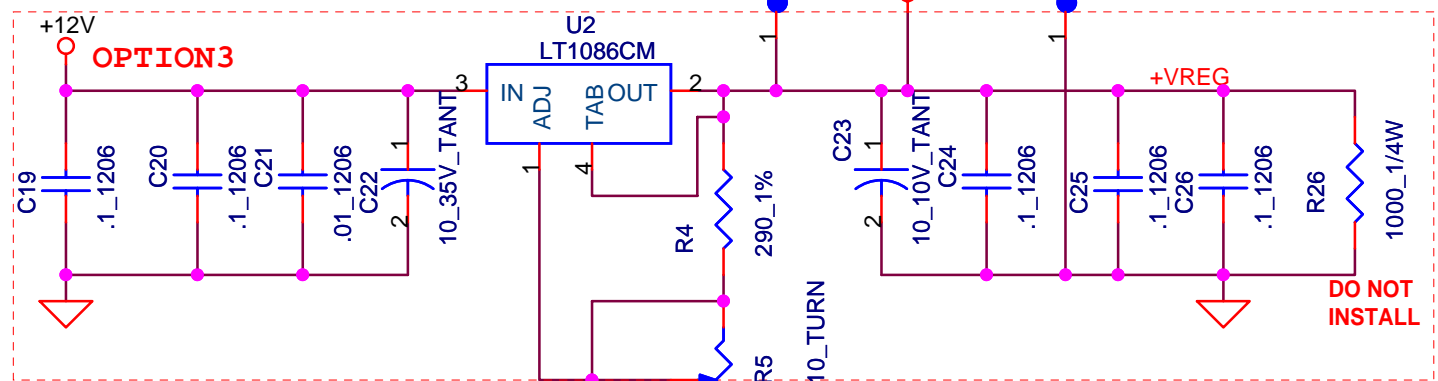


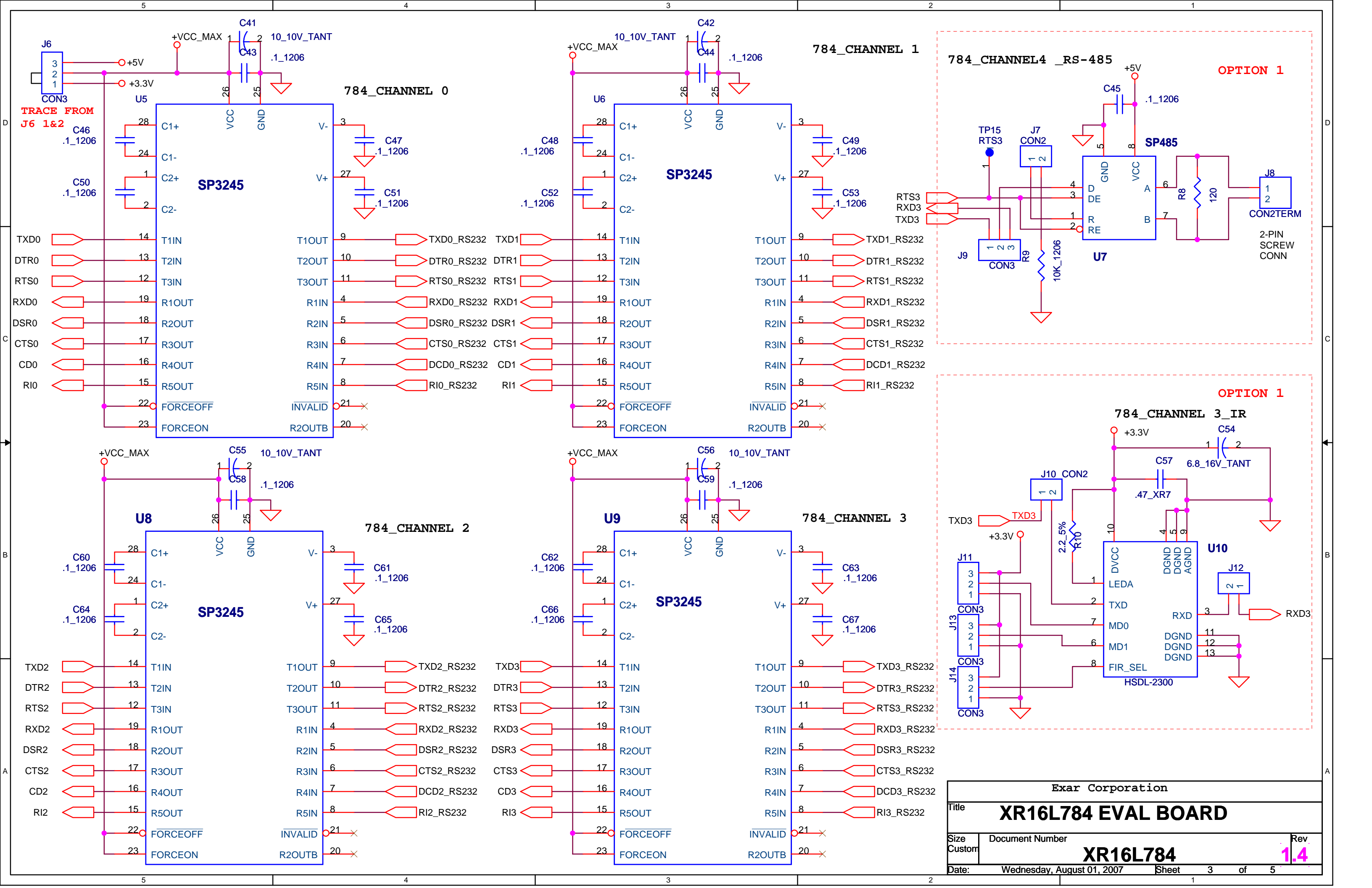
**ISA INTERFACE
BASE SET TO 500-IRQ5**



Notes:
Rev 1.1 to 1.3
update manual
and delete NT

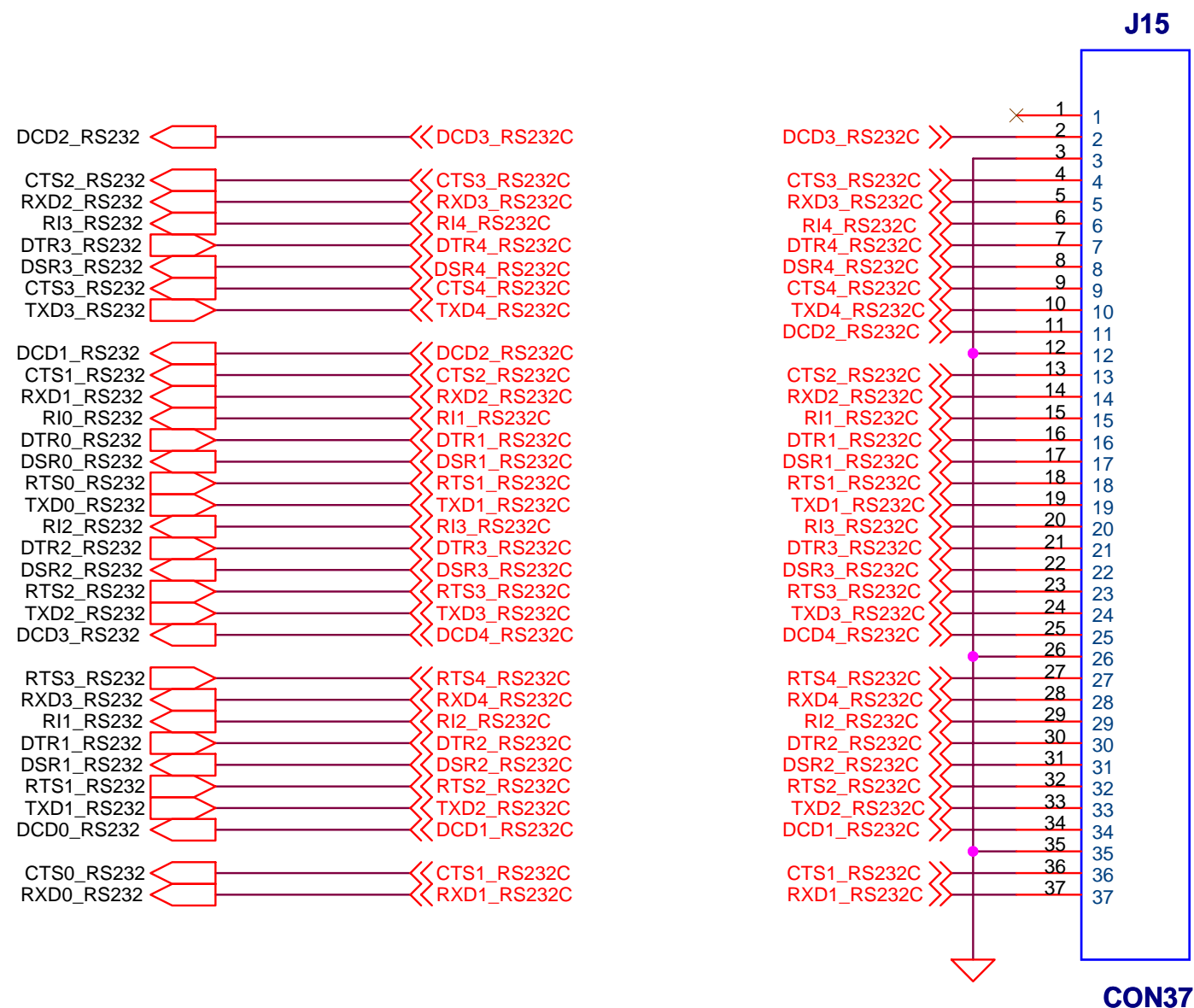


Exar Corporation		
Title		
XR16L784 EVAL BOARD		
Size Custom	Document Number	Rev 1.4
Date:	Wednesday, August 01, 2007	Sheet 1 of 5

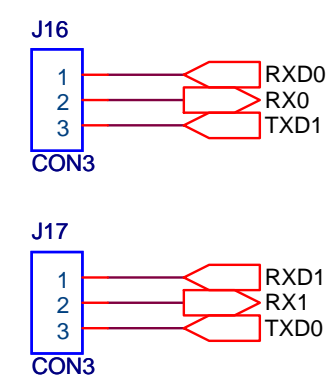


Exar Corporation		
Title XR16L784 EVAL BOARD		
Size Custom	Document Number	Rev 1.4
Date: Wednesday, August 01, 2007	Sheet 3 of 5	

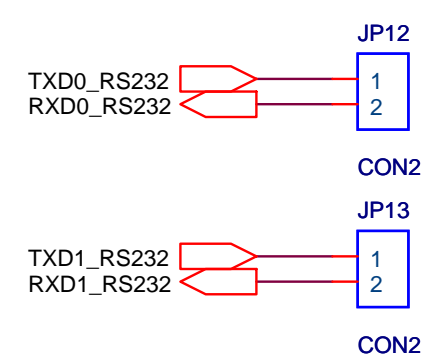
4-CHANNEL RS232 INTERFACE

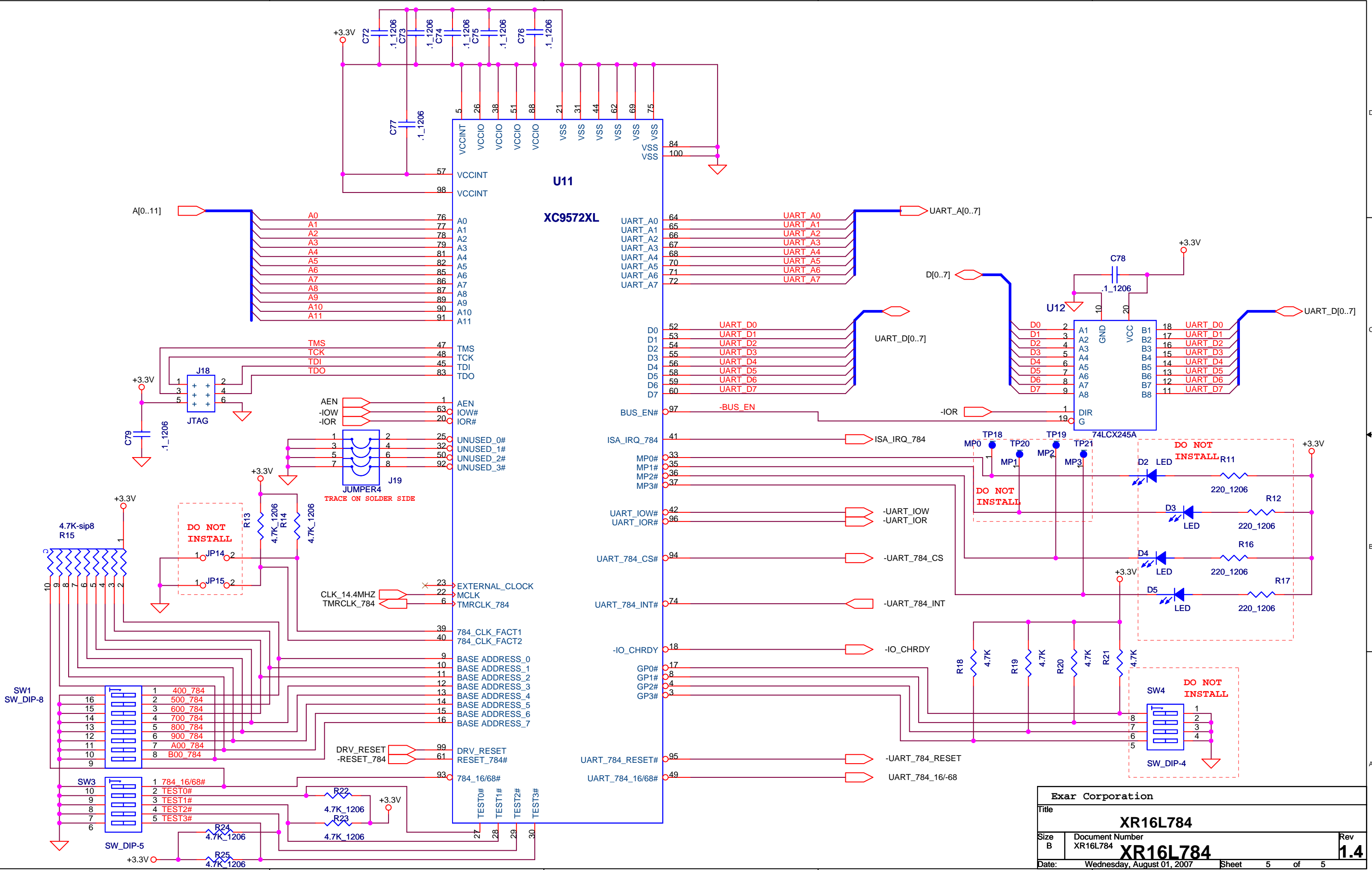


UART_LOOP



EIA_LOOP





Exar Corporation		
Title		
XR16L784		
Size	Document Number	Rev
B	XR16L784	1.4
Date:	Wednesday, August 01, 2007	Sheet 5 of 5