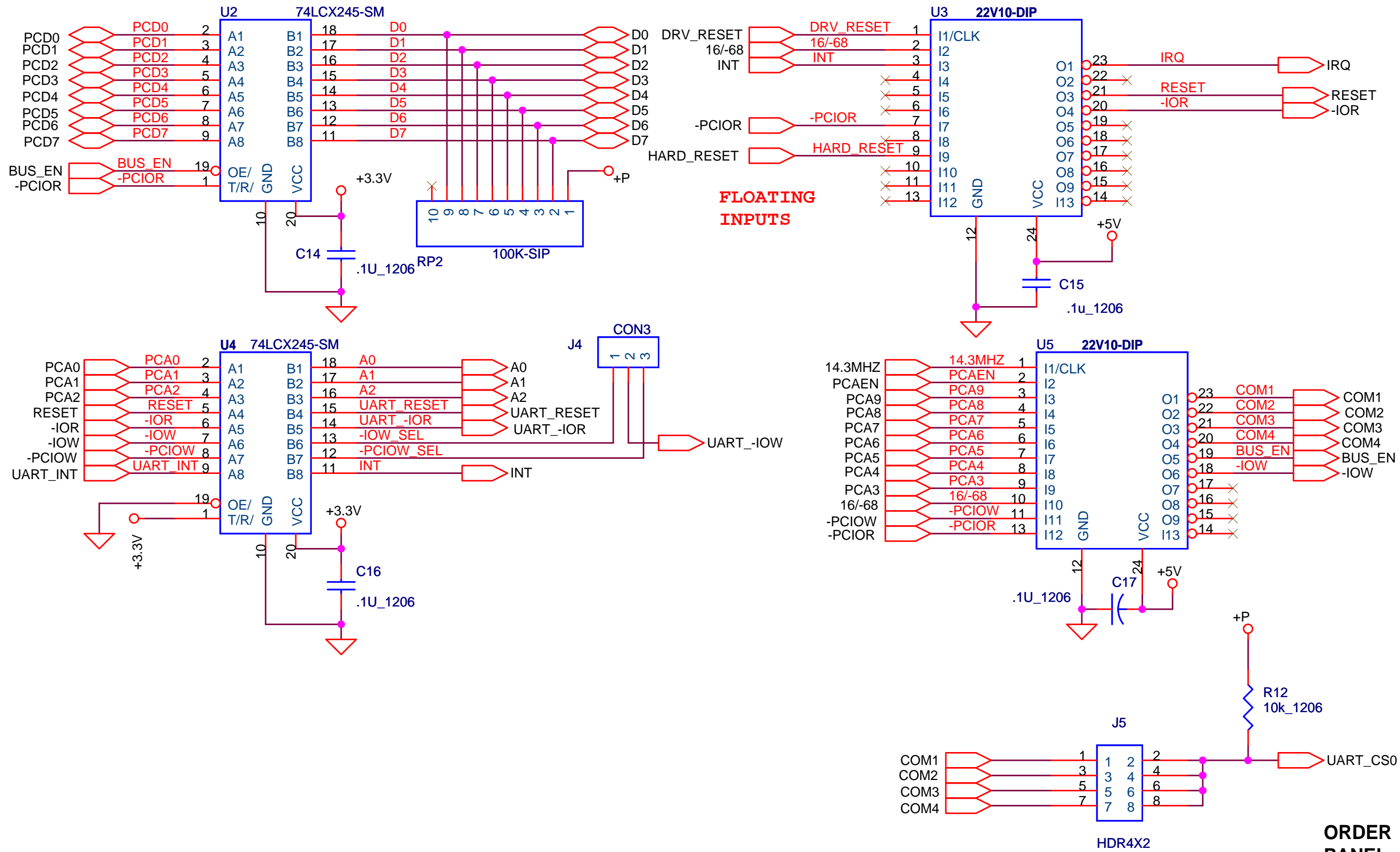


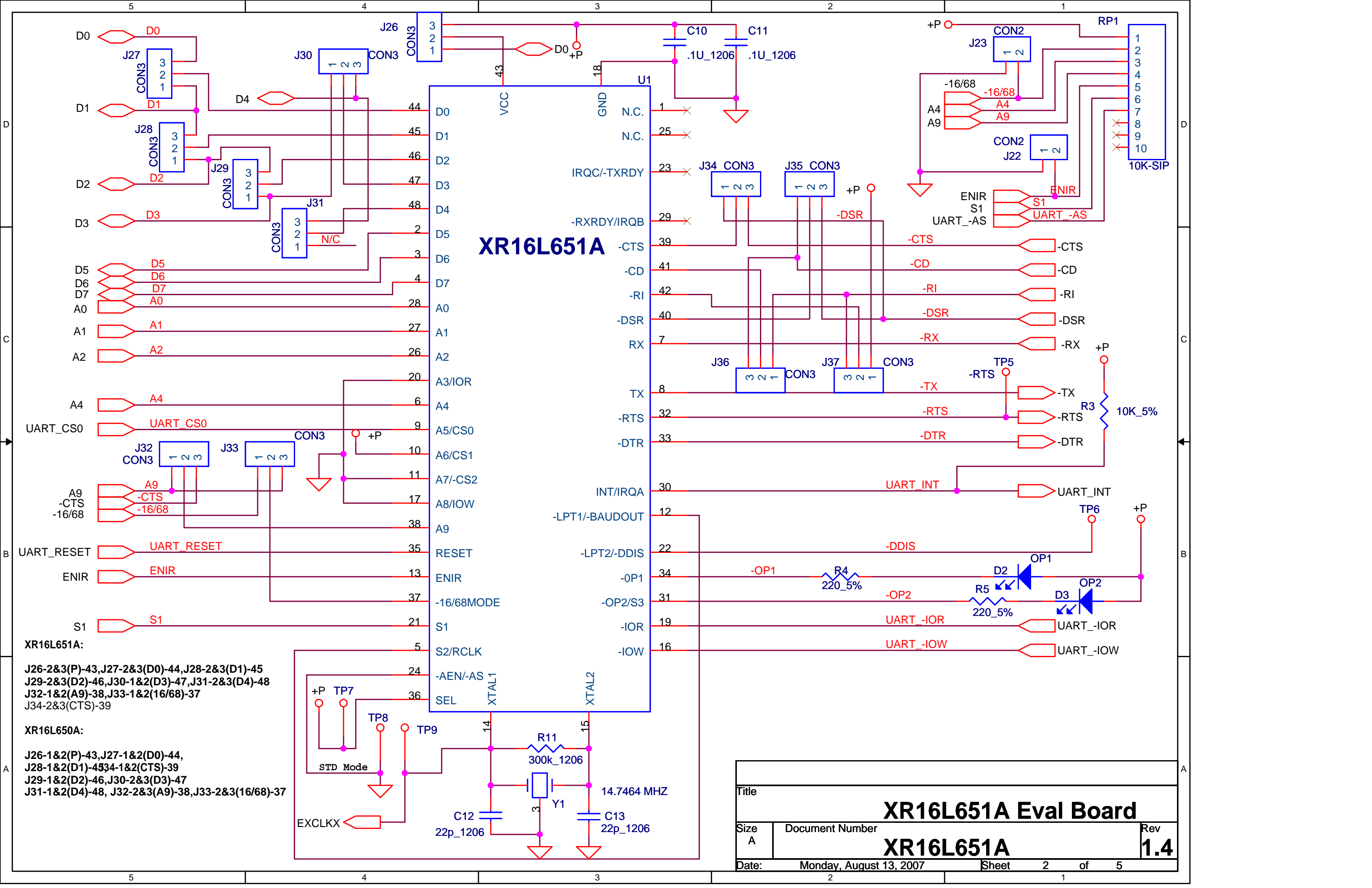
Note: Add trace on back side J6-1&2, J8/2&3

Exar		
Title		
XR16L651A Eval Board		
Size A	Document Number	Rev
	XR16L651A	1.4
Date:	Monday, August 13, 2007	Sheet 4 of 5



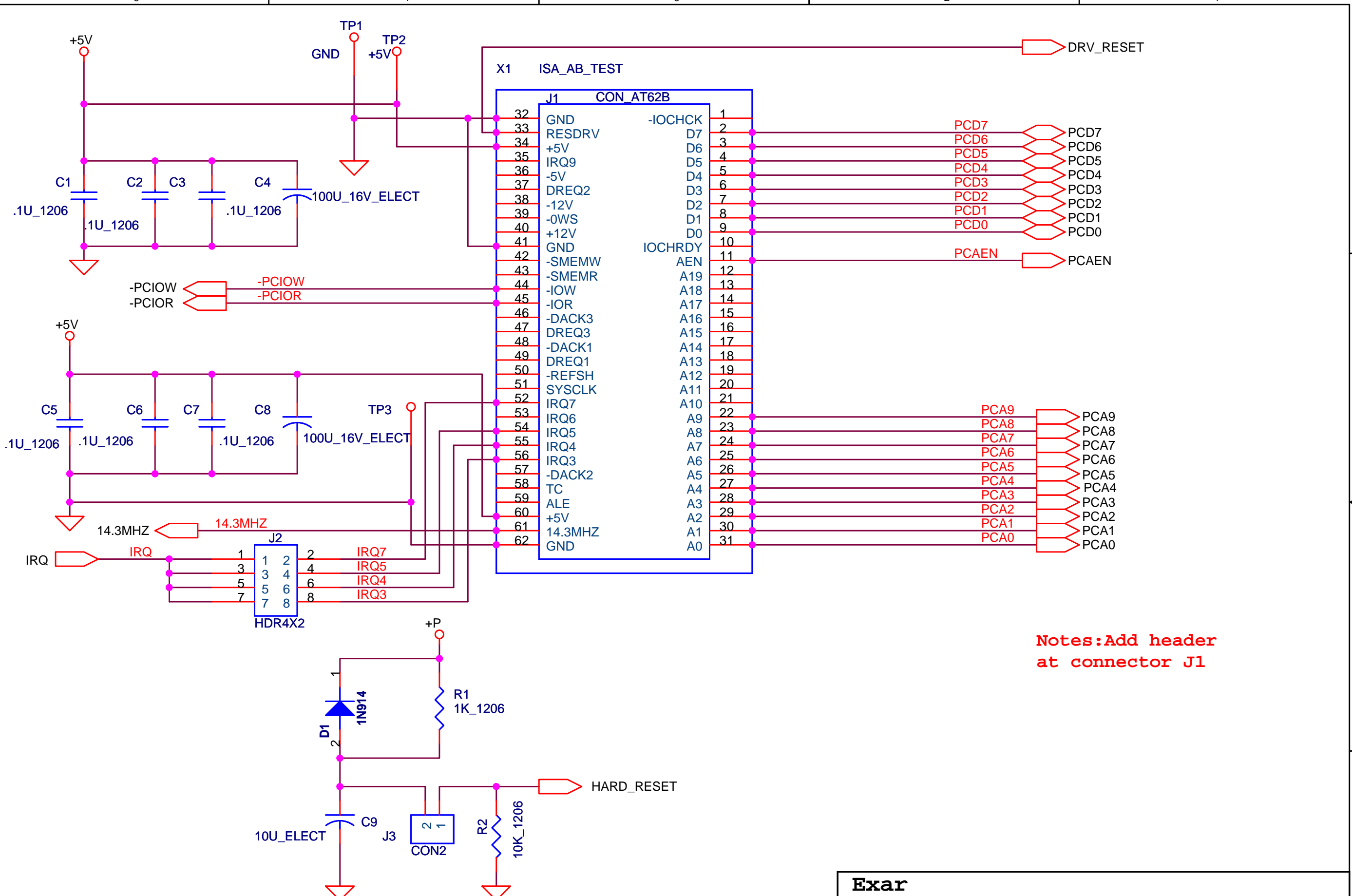
Notes: Add trace from U4/2 to U4/18,
 U4/3-17, U4/4-16, U4/5-15, U4/6-14,
 U4/7-13, U4/8-12. J4/2&3

EXAR		
Title		
XR16L651A Eval Board		
Size A	Document Number XR16L651A	Rev 1.4
Date: Monday, August 13, 2007	Sheet 3 of 5	



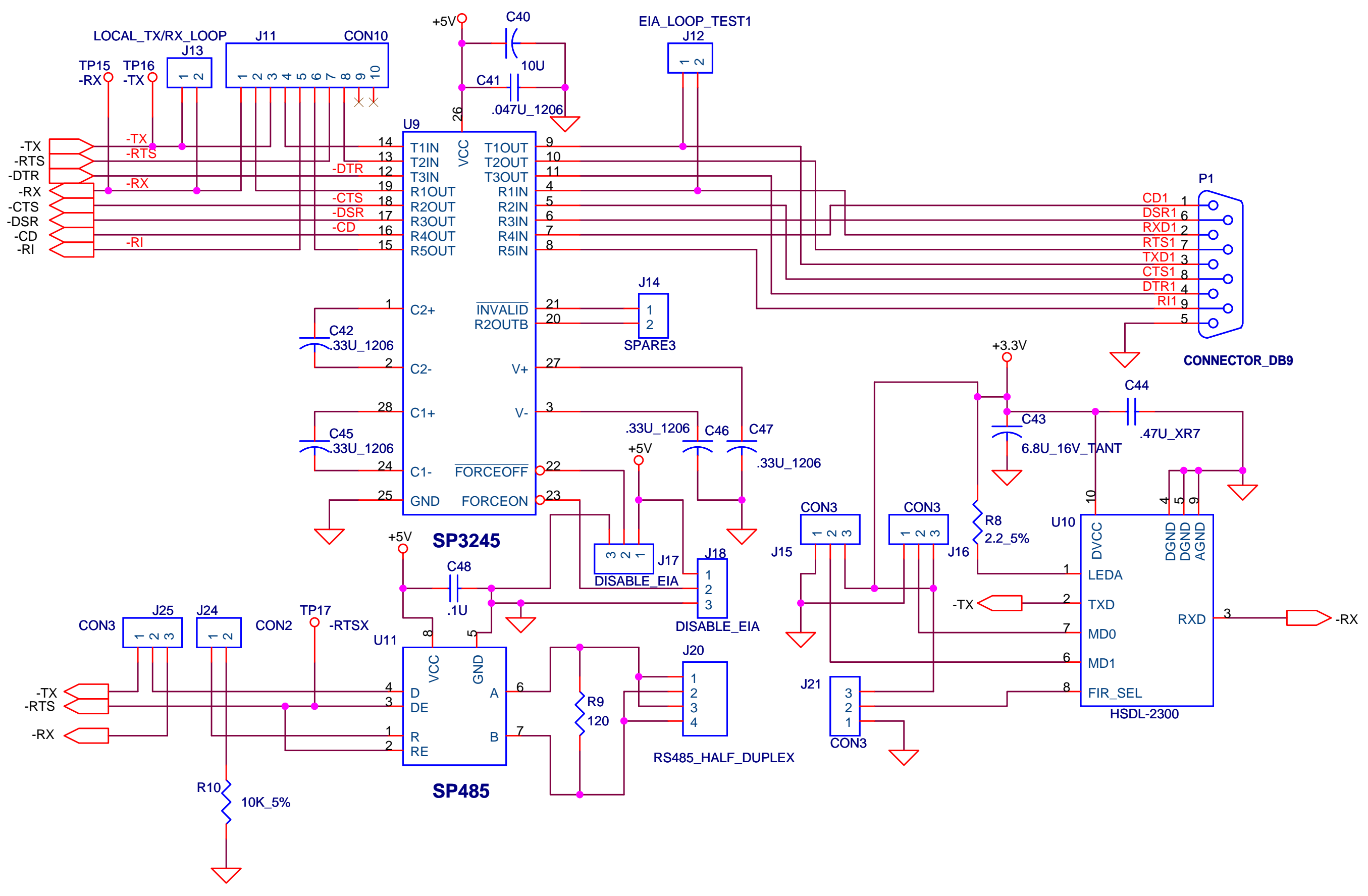
- XR16L651A:**
 J26-2&3(P)-43, J27-2&3(D0)-44, J28-2&3(D1)-45
 J29-2&3(D2)-46, J30-1&2(D3)-47, J31-2&3(D4)-48
 J32-1&2(A9)-38, J33-1&2(16/68)-37
 J34-2&3(CTS)-39
- XR16L650A:**
 J26-1&2(P)-43, J27-1&2(D0)-44,
 J28-1&2(D1)-45, J34-1&2(CTS)-39
 J29-1&2(D2)-46, J30-2&3(D3)-47
 J31-1&2(D4)-48, J32-2&3(A9)-38, J33-2&3(16/68)-37

Title		
XR16L651A Eval Board		
Size A	Document Number	Rev
	XR16L651A	1.4
Date:	Monday, August 13, 2007	Sheet 2 of 5



Notes: Add header at connector J1

Exar		
Title		
XR16L651A Eval Board		
Size	Document Number	Rev
A	XR16L651A	1.4
Date:	Monday, August 13, 2007	Sheet 1 of 5



Notes: All traces on solder side
 When placing parts for U10, look at specification
 Place U10 at end of board to face back
 Trace J17/2&3, J18/1&2

Exar		
Title		
XR16L651A Eval Board		
Size A	Document Number	Rev
	XR16L651A	1.4
Date:	Monday, August 13, 2007	Sheet 5 of 5