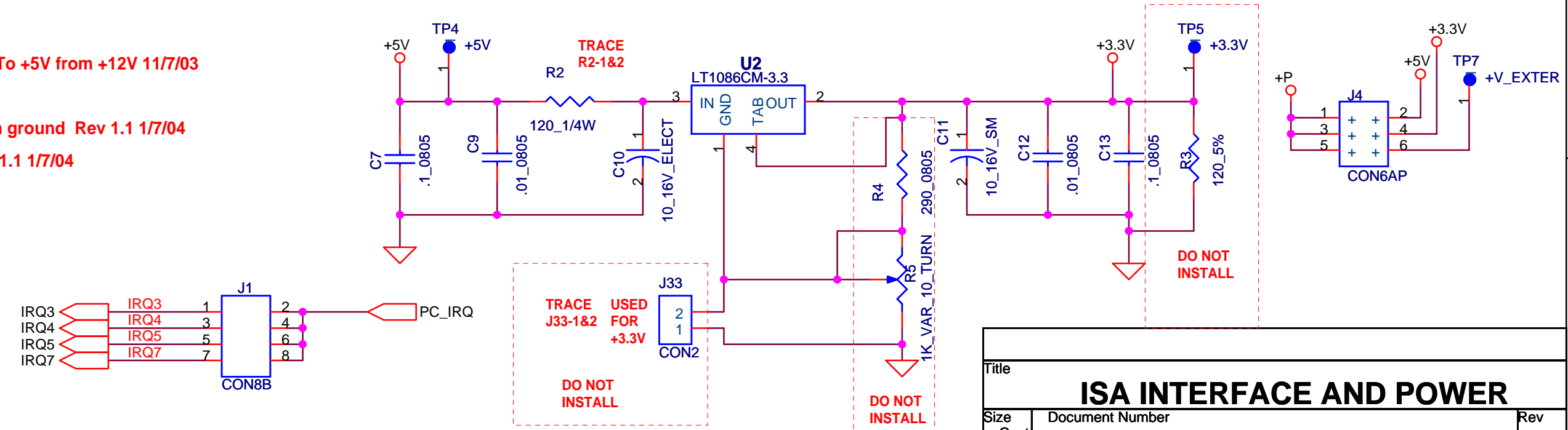
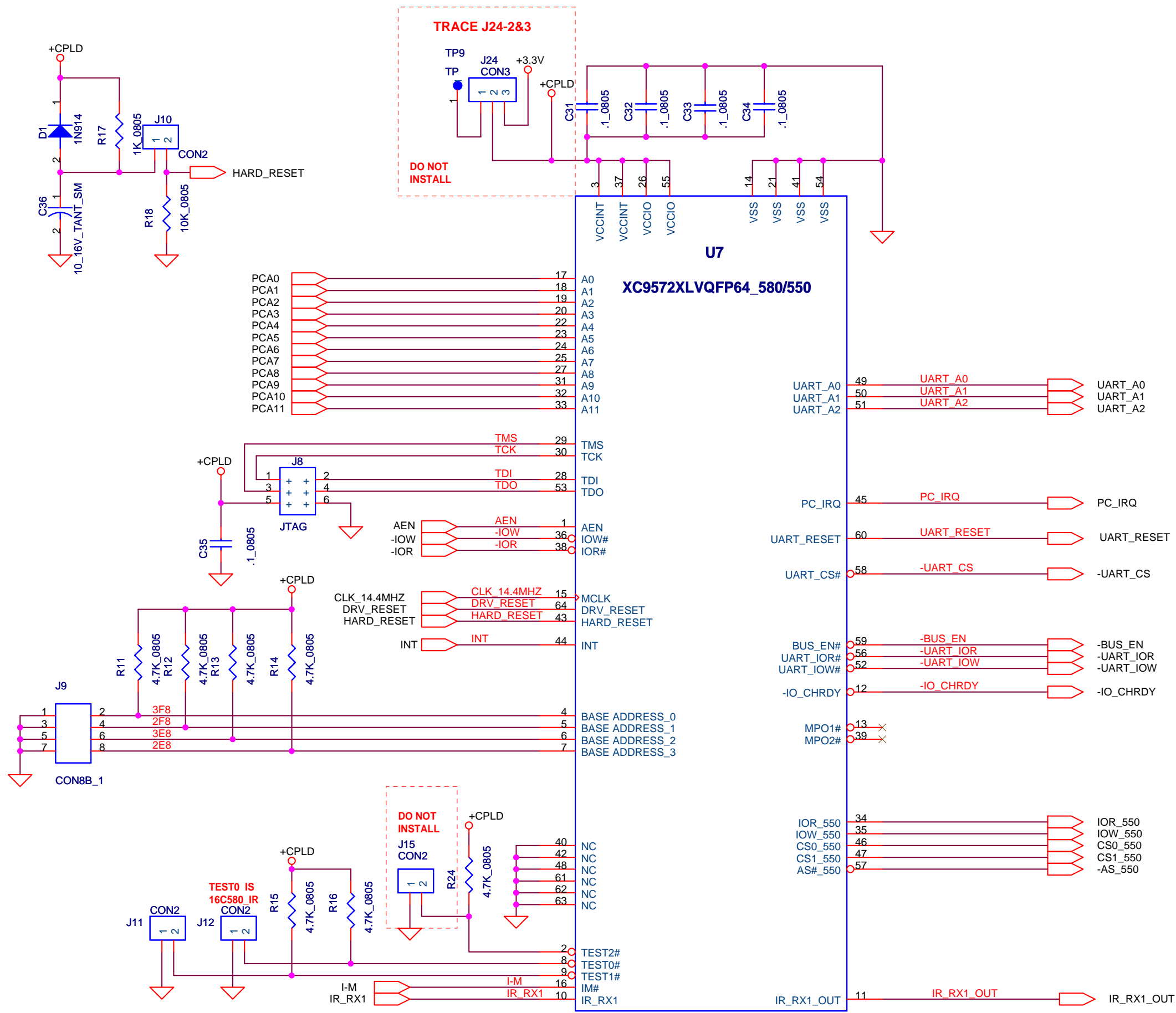


Notes: Correct supply voltage to U2 To +5V from +12V 11/7/03
 Notes: Install R7,8,9 Rev 1.1 12/8/03
 Notes: Correct U13-36 cut trace from ground Rev 1.1 1/7/04
 Notes: Add U13 for XR16L650A Rev 1.1 1/7/04



Title		
ISA INTERFACE AND POWER		
Size	Document Number	Rev
Custom	XR16L580/550 EVAL BOARD	1.2
Date:	Wednesday, August 01, 2007	Sheet 1 of 5



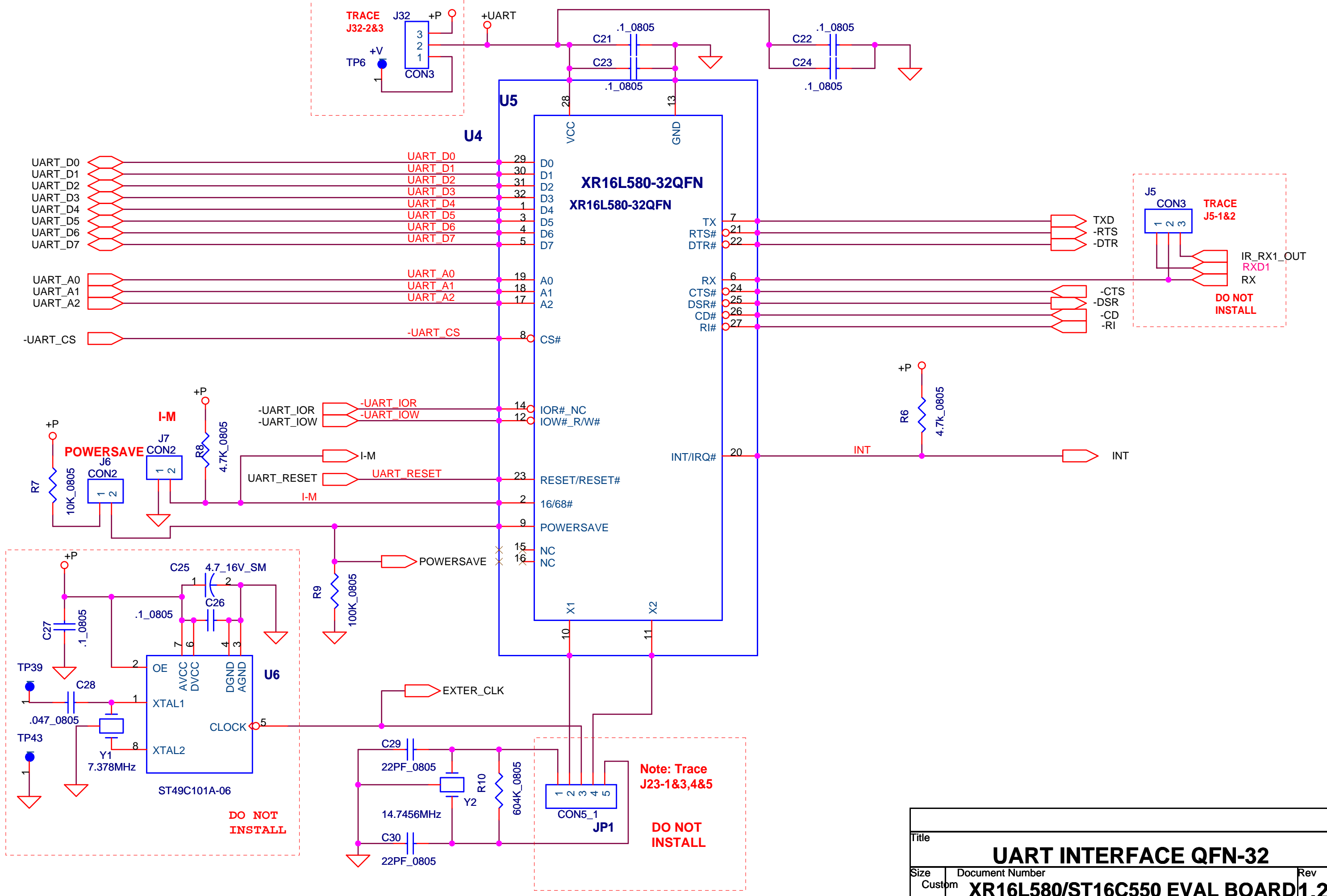
TRACE J24-2&3

TP9
TP

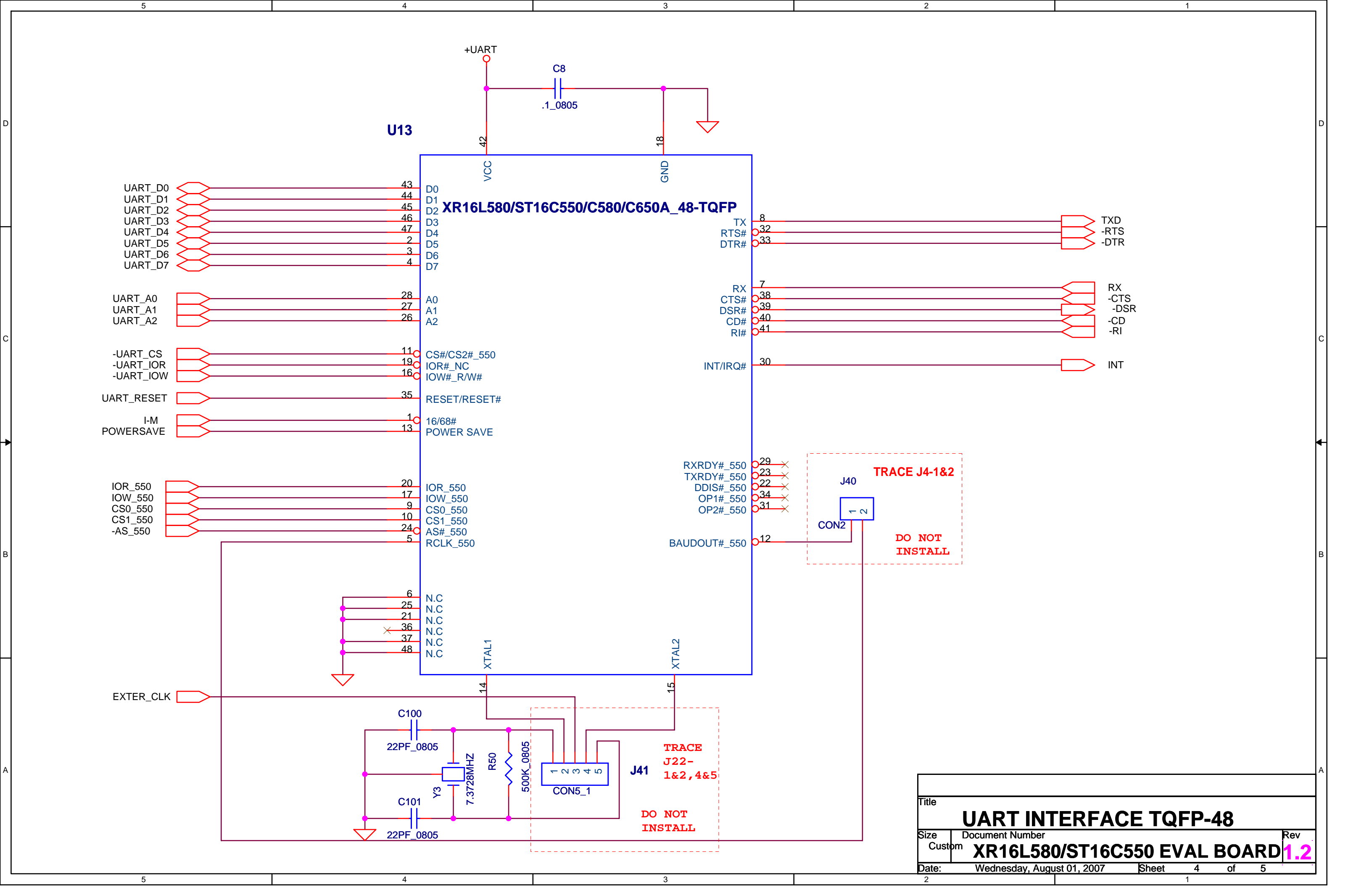
DO NOT INSTALL

Notes: Test0-----"1" IR_RX1
Test0-----"0" IR_RX1 Inverted

Title		
ADDRESSING AND CODING CPLD		
Size	Document Number	Rev
B	XR16L580/550 EVAL BOARD	1.2
Date:	Wednesday, August 01, 2007	Sheet 2 of 5



Title			UART INTERFACE QFN-32		
Size	Document Number			Rev	
Custom	XR16L580/ST16C550 EVAL BOARD	1.2			
Date:	Wednesday, August 01, 2007	Sheet	3	of	5



U13

XR16L580/ST16C550/C580/C650A_48-TQFP

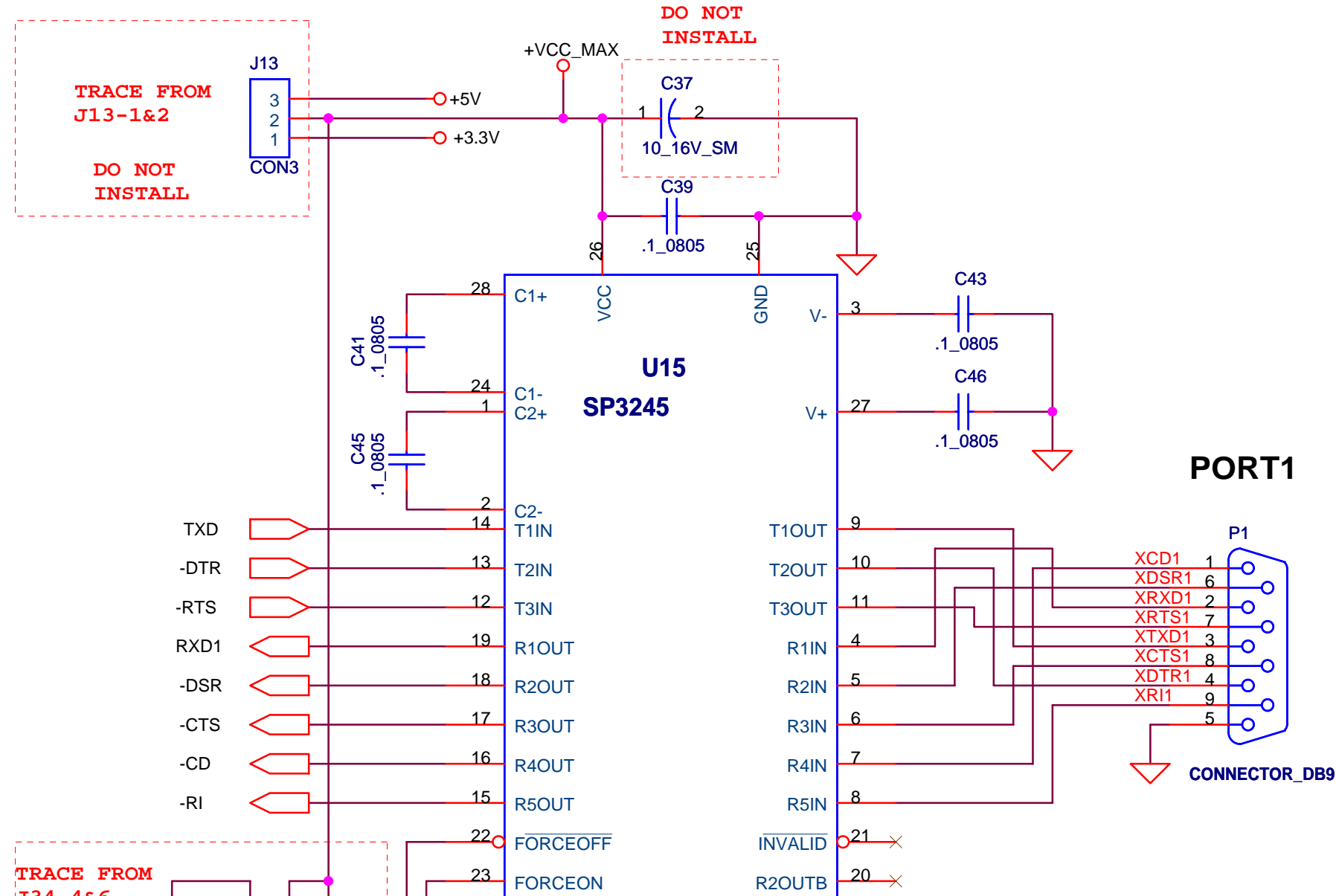
TRACE J4-1&2

DO NOT
INSTALL

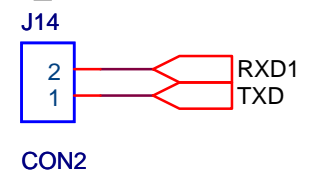
TRACE
J22-
1&2, 4&5

DO NOT
INSTALL

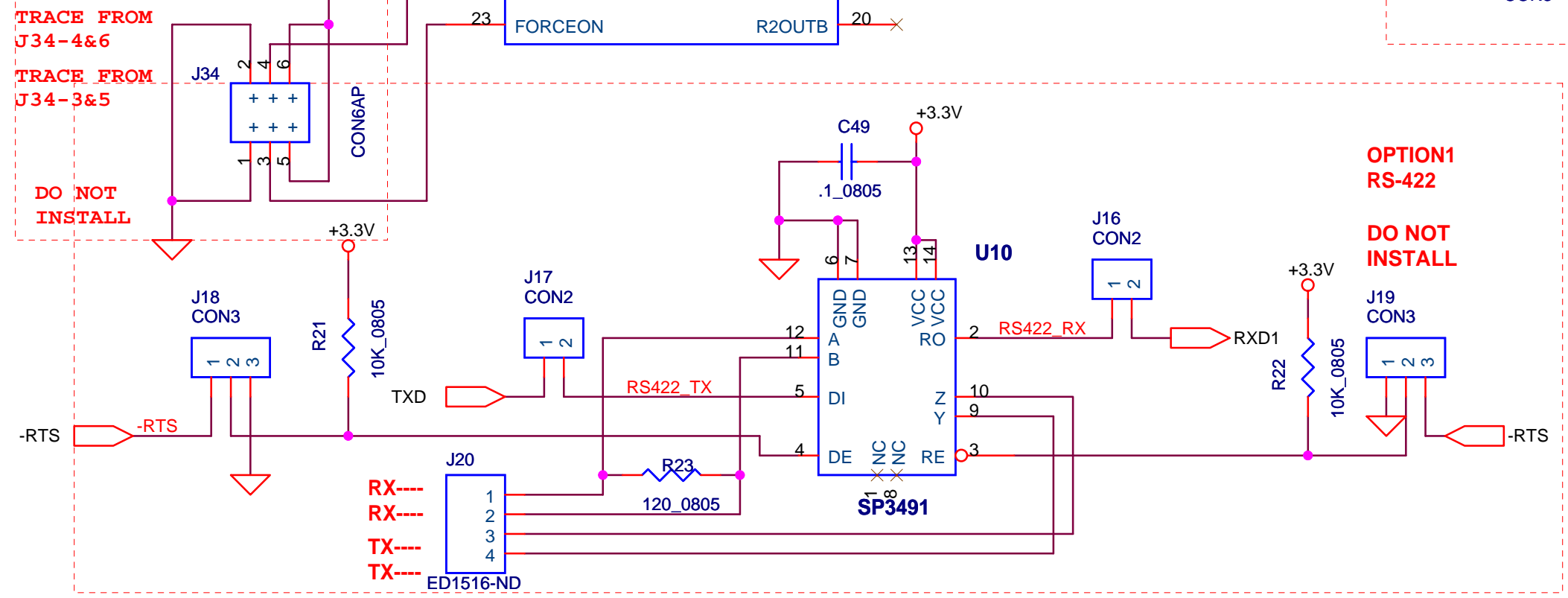
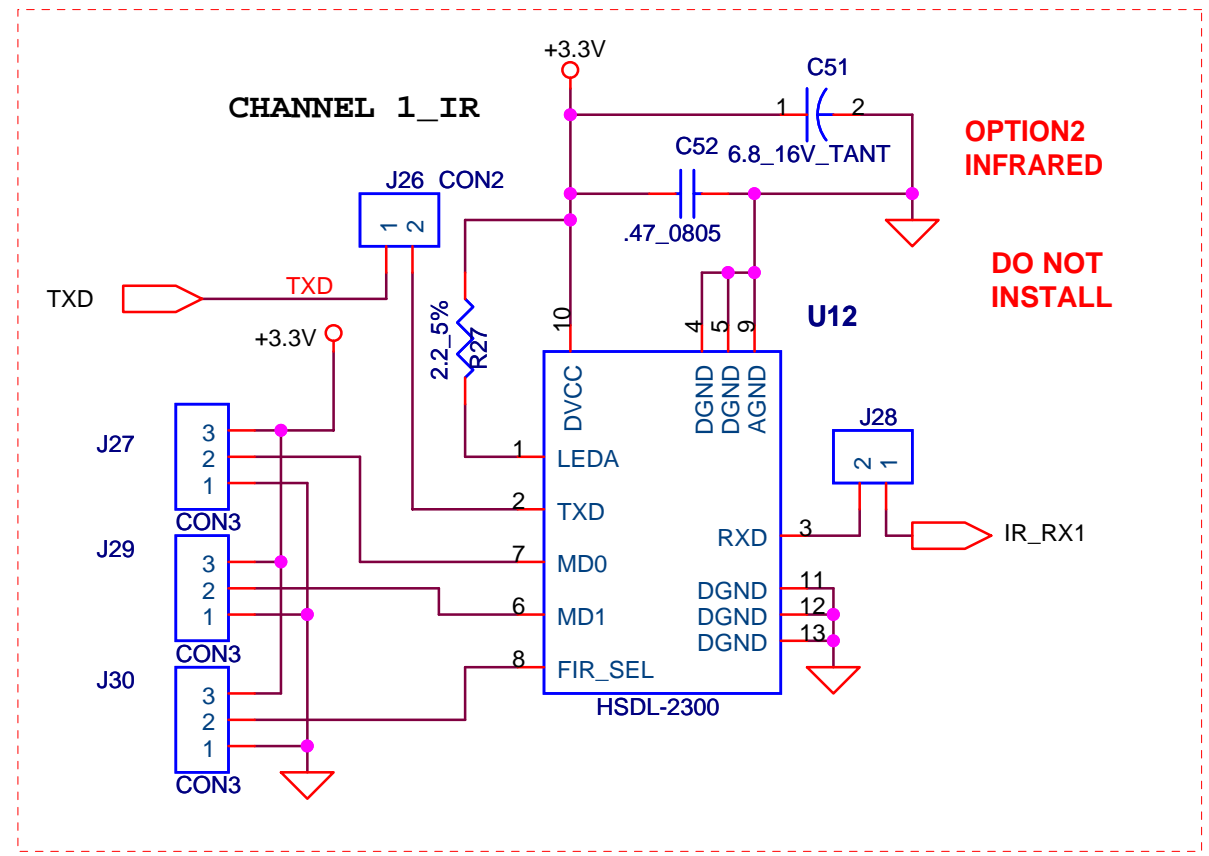
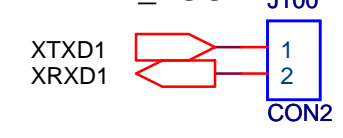
Title		
UART INTERFACE TQFP-48		
Size	Document Number	Rev
Custom	XR16L580/ST16C550 EVAL BOARD	1.2
Date:	Wednesday, August 01, 2007	Sheet 4 of 5



UART_LOOP



EIA_LOOP



Title			RS-232 INTERFACE	Rev 1.2
Size	Document Number			
Custom	XR16L580/550 EVAL BOARD			
Date:	Wednesday, August 01, 2007	Sheet	5	of 5