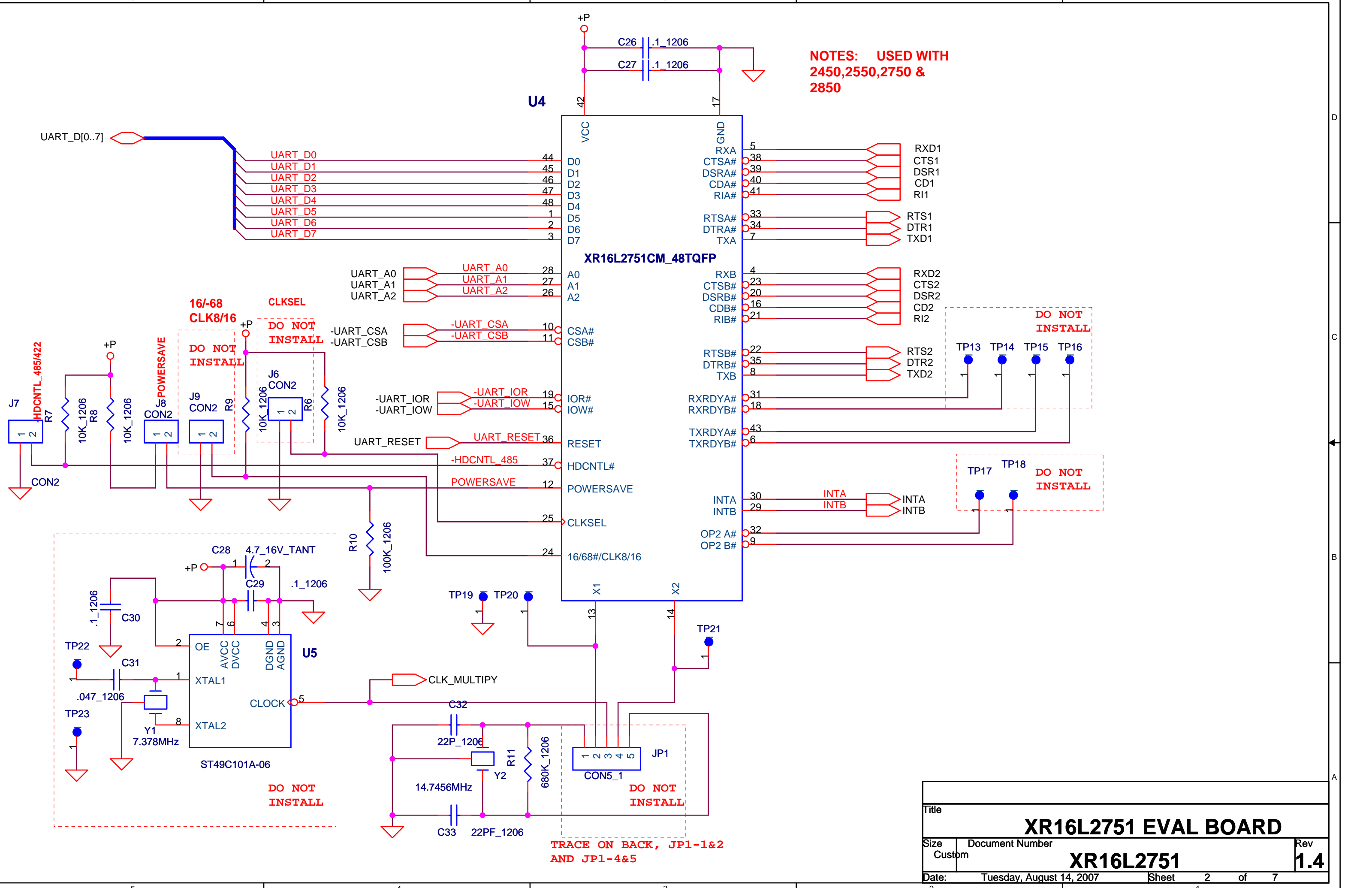


Title			<b>XR16L2751 EVAL BOARD</b>		
Size	Document Number		Rev		
Custom	<b>XR16L2751</b>		<b>1.4</b>		
Date:	Tuesday, August 14, 2007	Sheet	1	of	7



**NOTES: USED WITH  
2450,2550,2750 &  
2850**

**16/68  
CLK8/16**

**DO NOT  
INSTALL**

**CLKSEL**

**DO NOT  
INSTALL**

**DO NOT  
INSTALL**

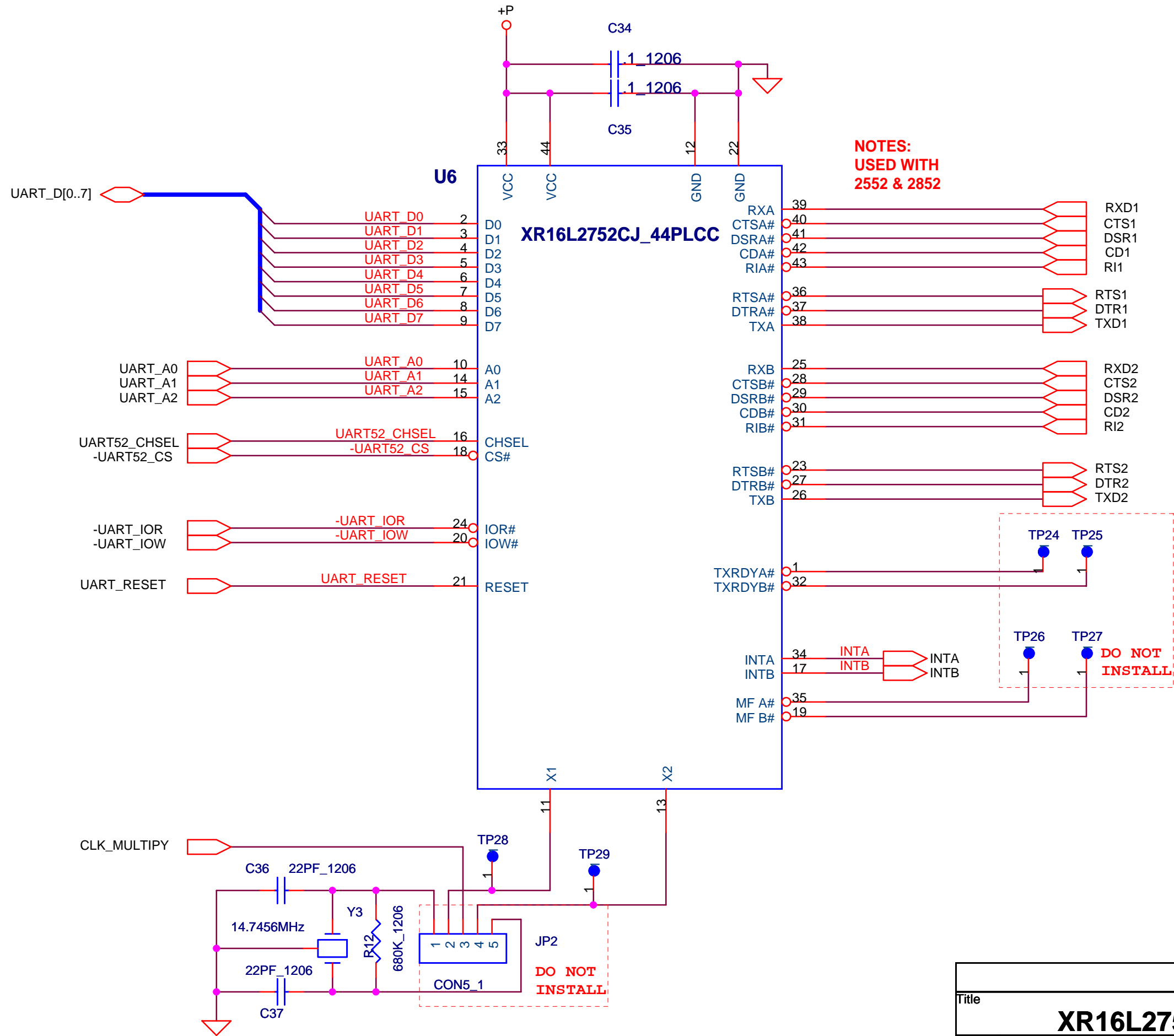
**DO NOT  
INSTALL**

**DO NOT  
INSTALL**

**DO NOT  
INSTALL**

**TRACE ON BACK, JP1-1&2  
AND JP1-4&5**

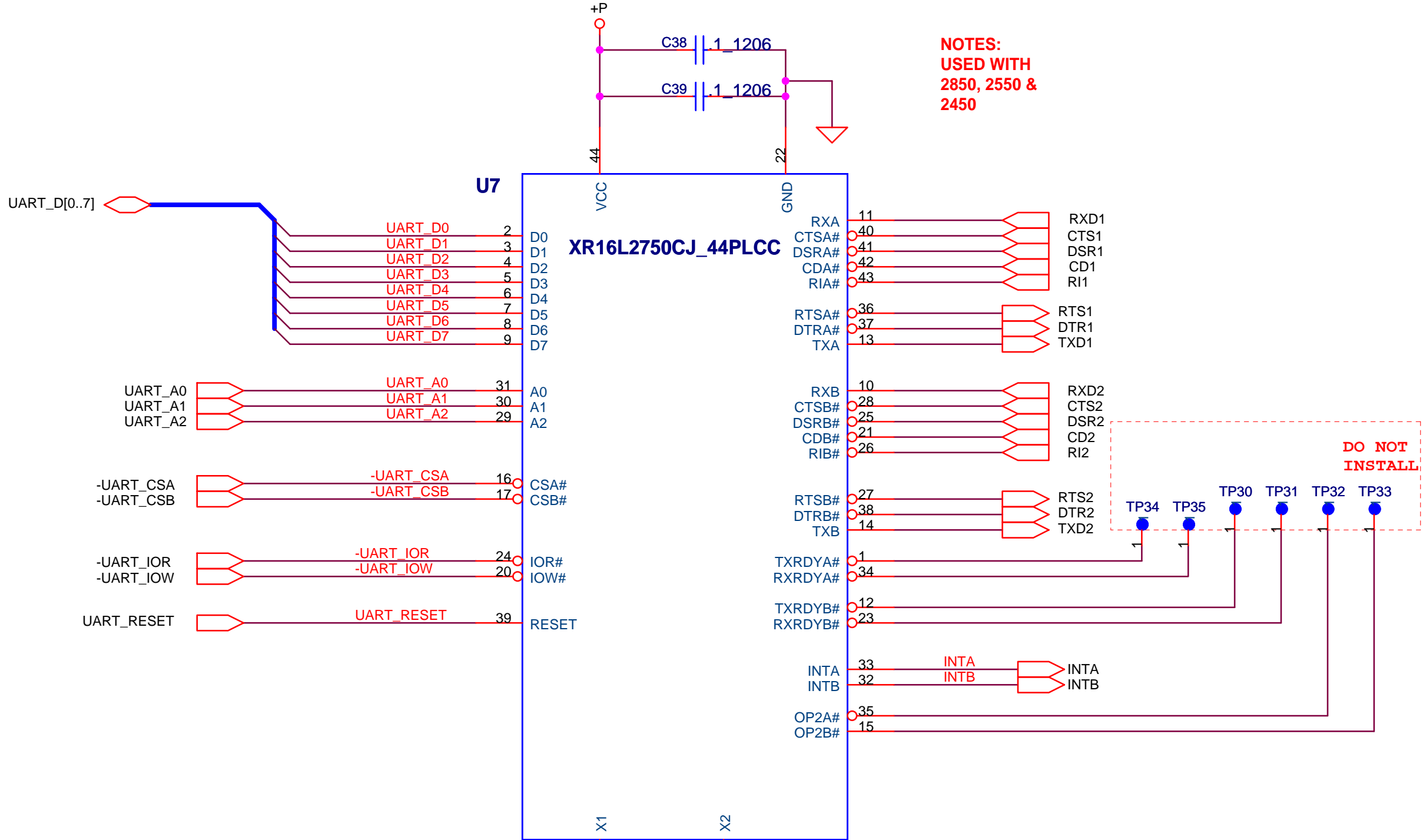
Title			<b>XR16L2751 EVAL BOARD</b>		
Size	Document Number		Rev		
Custom	<b>XR16L2751</b>		<b>1.4</b>		
Date:	Tuesday, August 14, 2007	Sheet	2	of	7



**NOTES:  
USED WITH  
2552 & 2852**

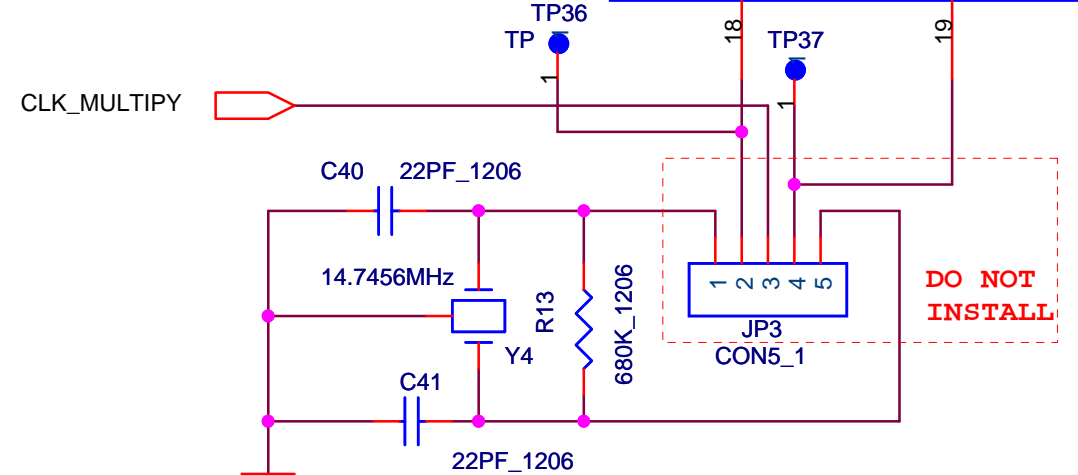
**TRACE ON BACK, JP2-1&2  
AND JP2-4&5**

Title			<b>XR16L2751 EVAL BOARD</b>		
Size	Document Number		Rev		
Custom	<b>XR16L2751</b>		<b>1.4</b>		
Date:	Tuesday, August 14, 2007	Sheet	3	of	7



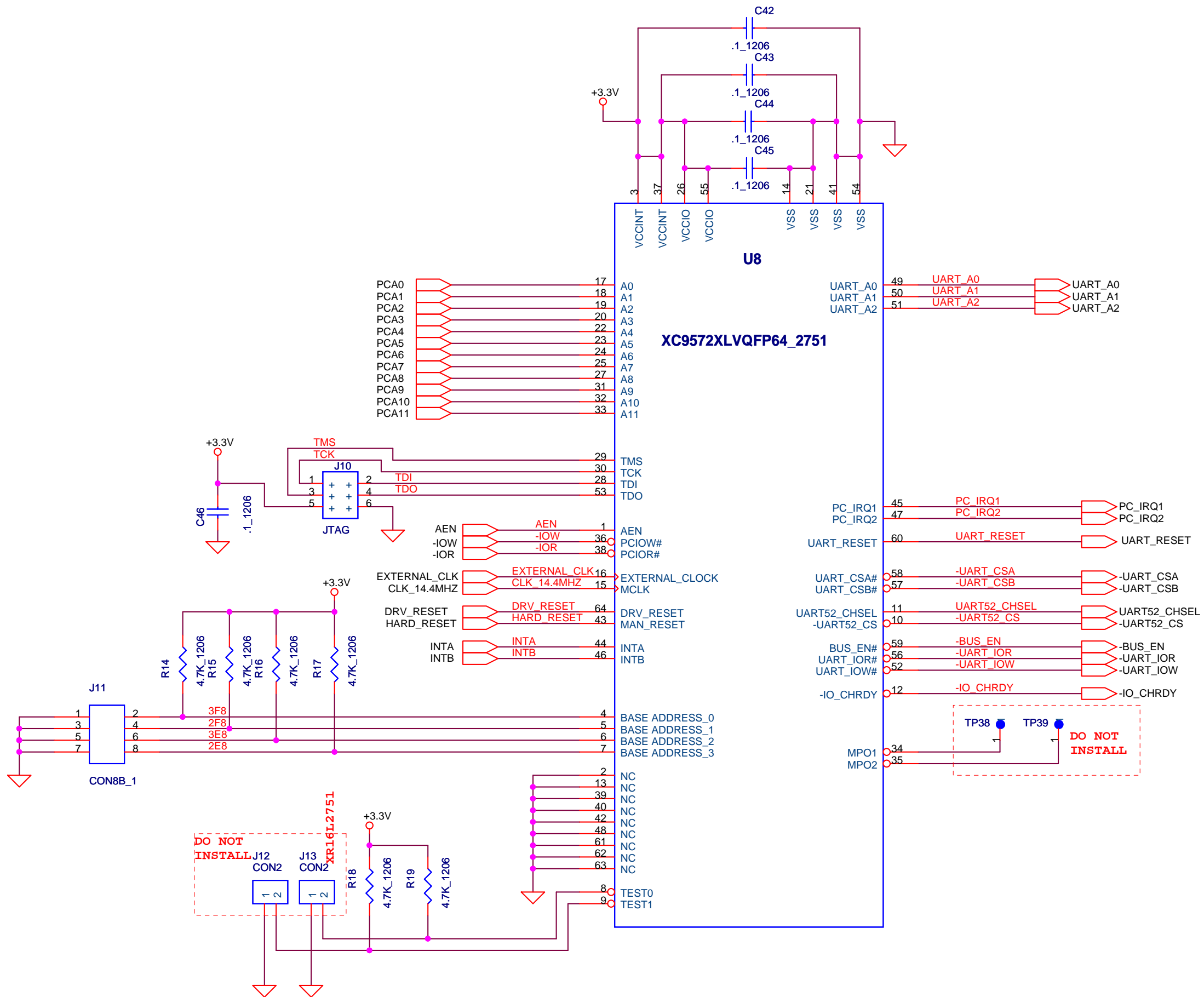
**NOTES:**  
**USED WITH**  
**2850, 2550 &**  
**2450**

**DO NOT  
 INSTALL**

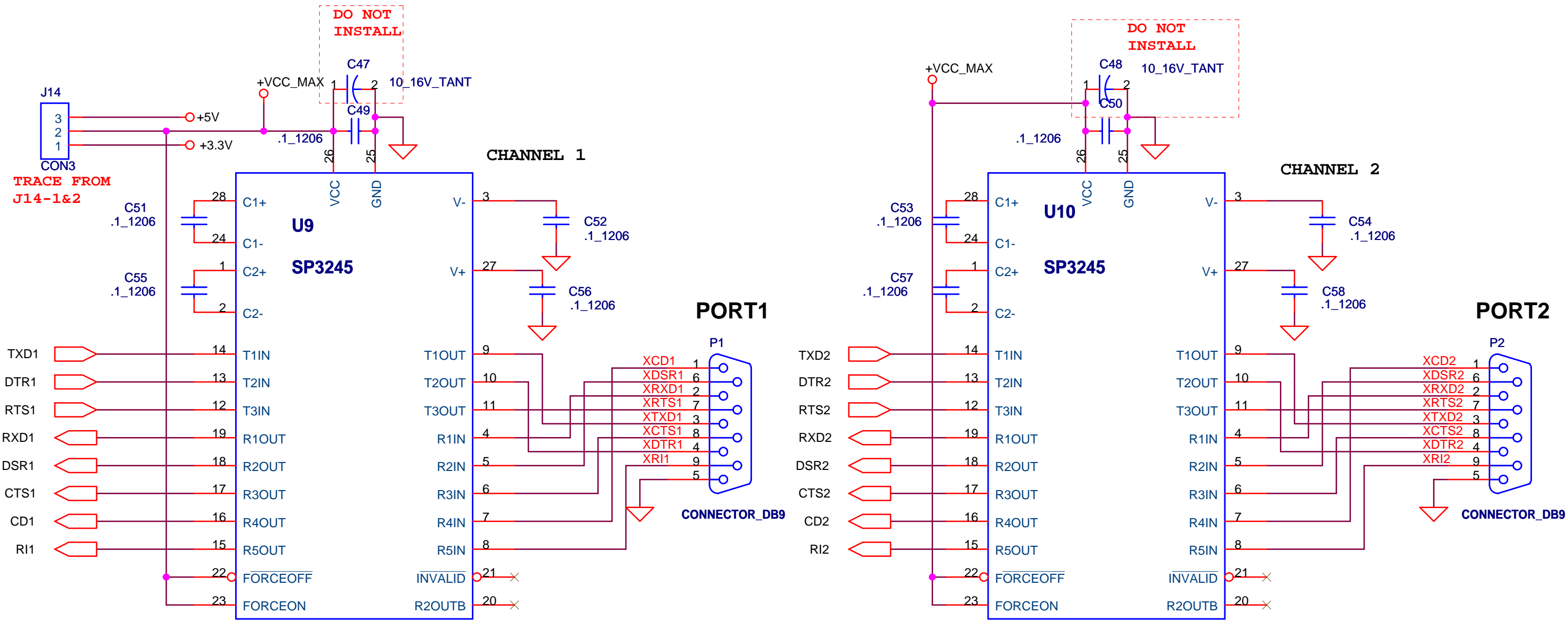


**TRACE ON BACK, JP3-1&2  
 AND JP3-4&5**

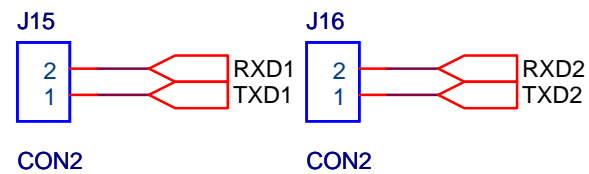
Title			<b>XR16L2751 EVAL BOARD</b>		
Size	Document Number		Rev		
Custom	<b>XR16L2751</b>		<b>1.4</b>		
Date:	Tuesday, August 14, 2007	Sheet	4	of	7



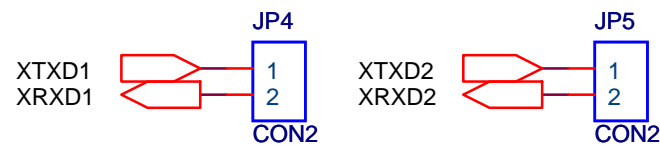
Title		
<b>XR16L2751 EVAL BOARD</b>		
Size B	Document Number	Rev
	<b>XR16L2751</b>	<b>1.4</b>
Date:	Tuesday, August 14, 2007	Sheet 5 of 7



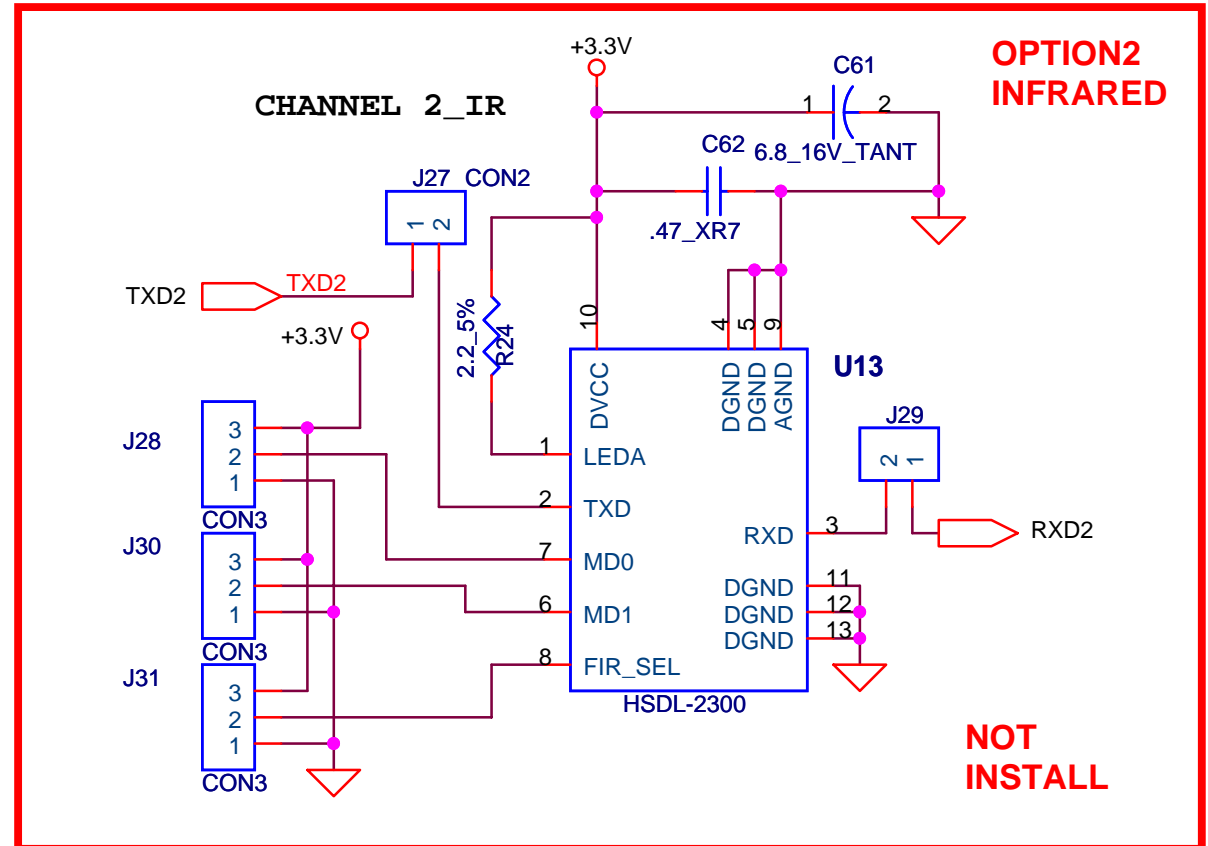
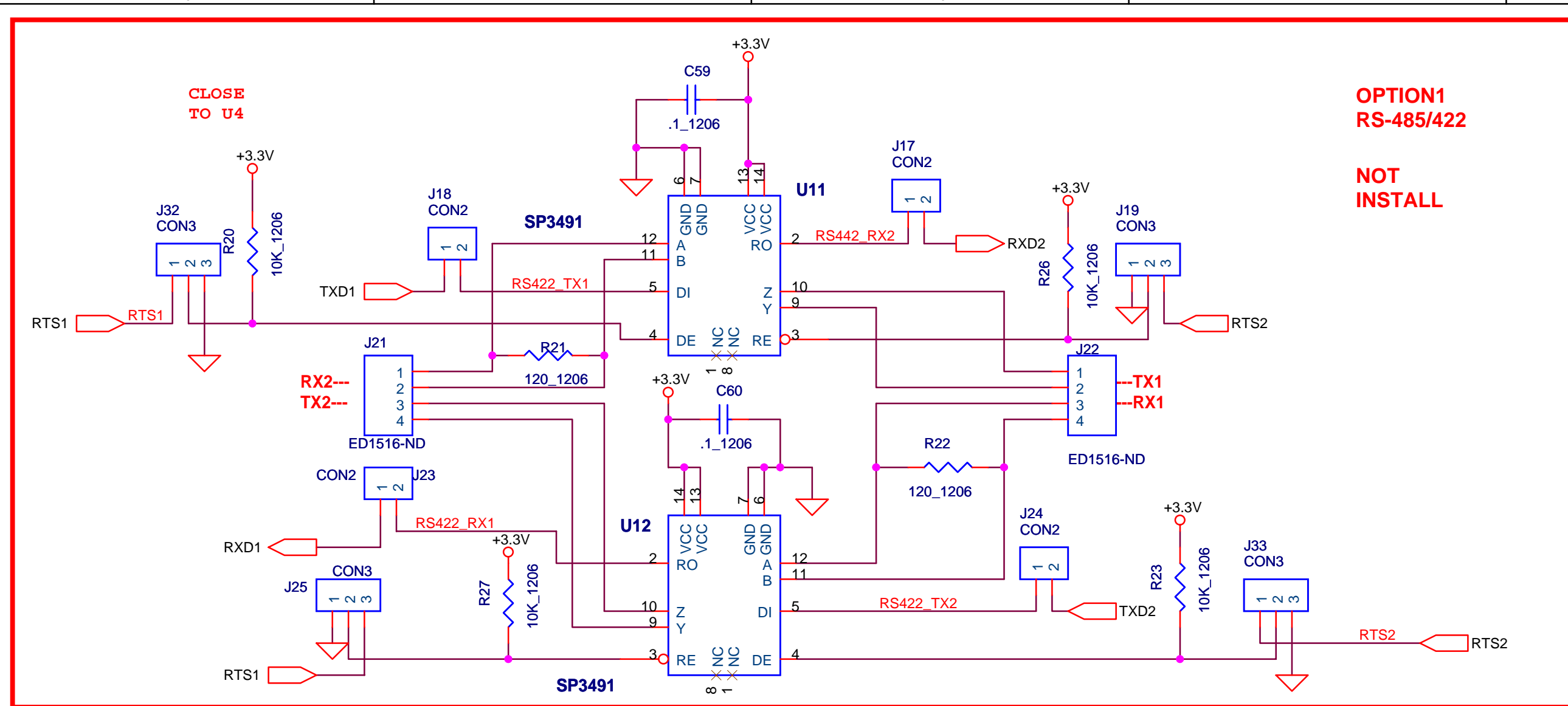
**UART\_LOOP**



**EIA\_LOOP**



Title			<b>XR16L2751 EVAL BOARD</b>		
Size	Document Number				Rev
Custom	<b>XR16L2751</b>				<b>1.4</b>
Date:	Tuesday, August 14, 2007	Sheet	6	of	7



Title			<b>XR16L2751 EVAL BOARD</b>		
Size	Document Number		Rev		
Custom	<b>XR16L2751</b>		<b>1.4</b>		
Date:	Tuesday, August 14, 2007	Sheet	7	of	7