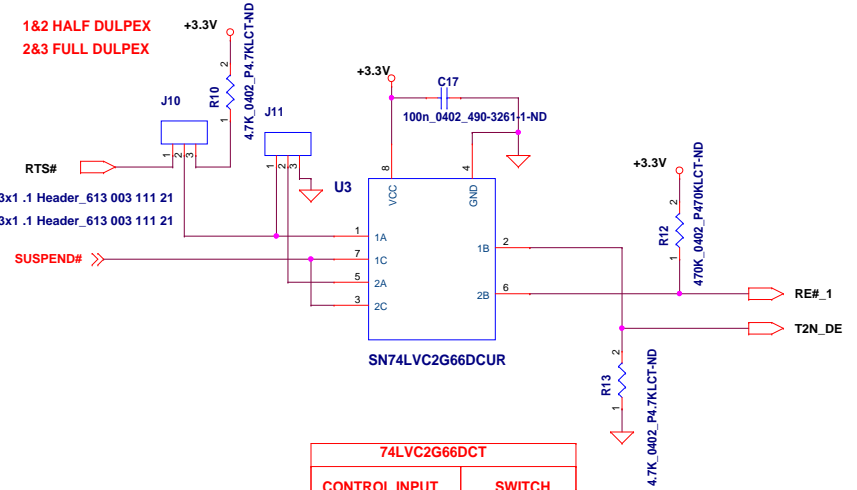
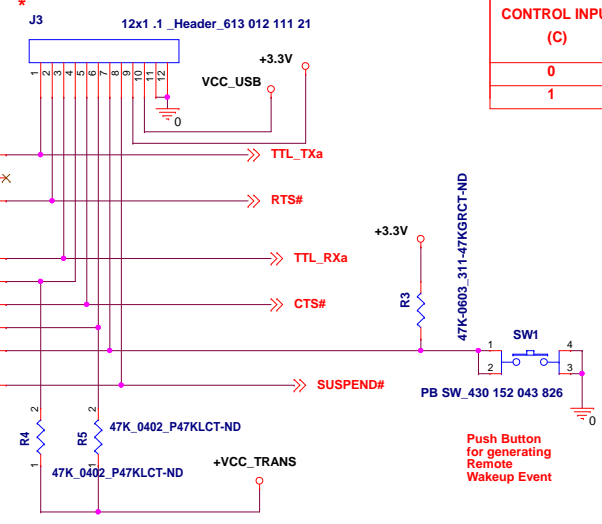
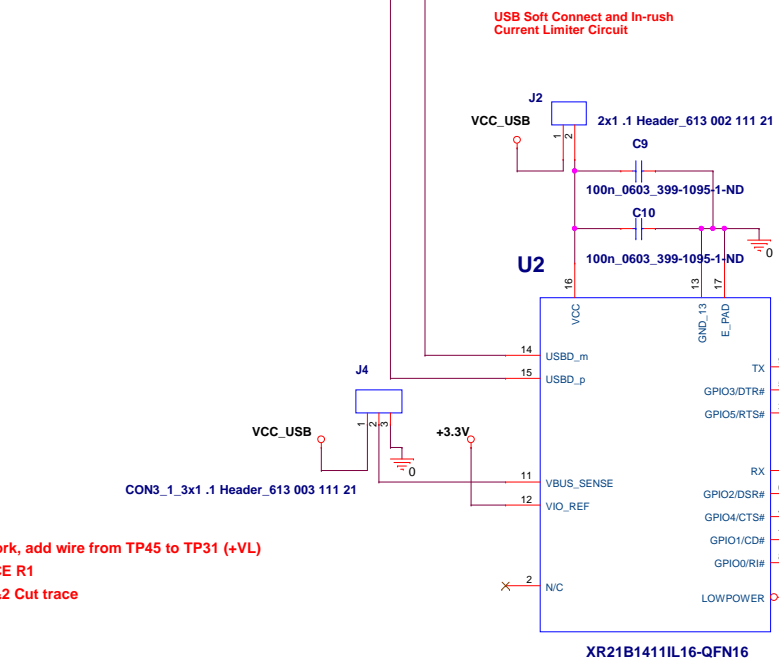


1&2 HALF DULPEX
2&3 FULL DULPEX



74LVC2G66DCT	
CONTROL INPUT (C)	SWITCH
0	OFF
1	ON



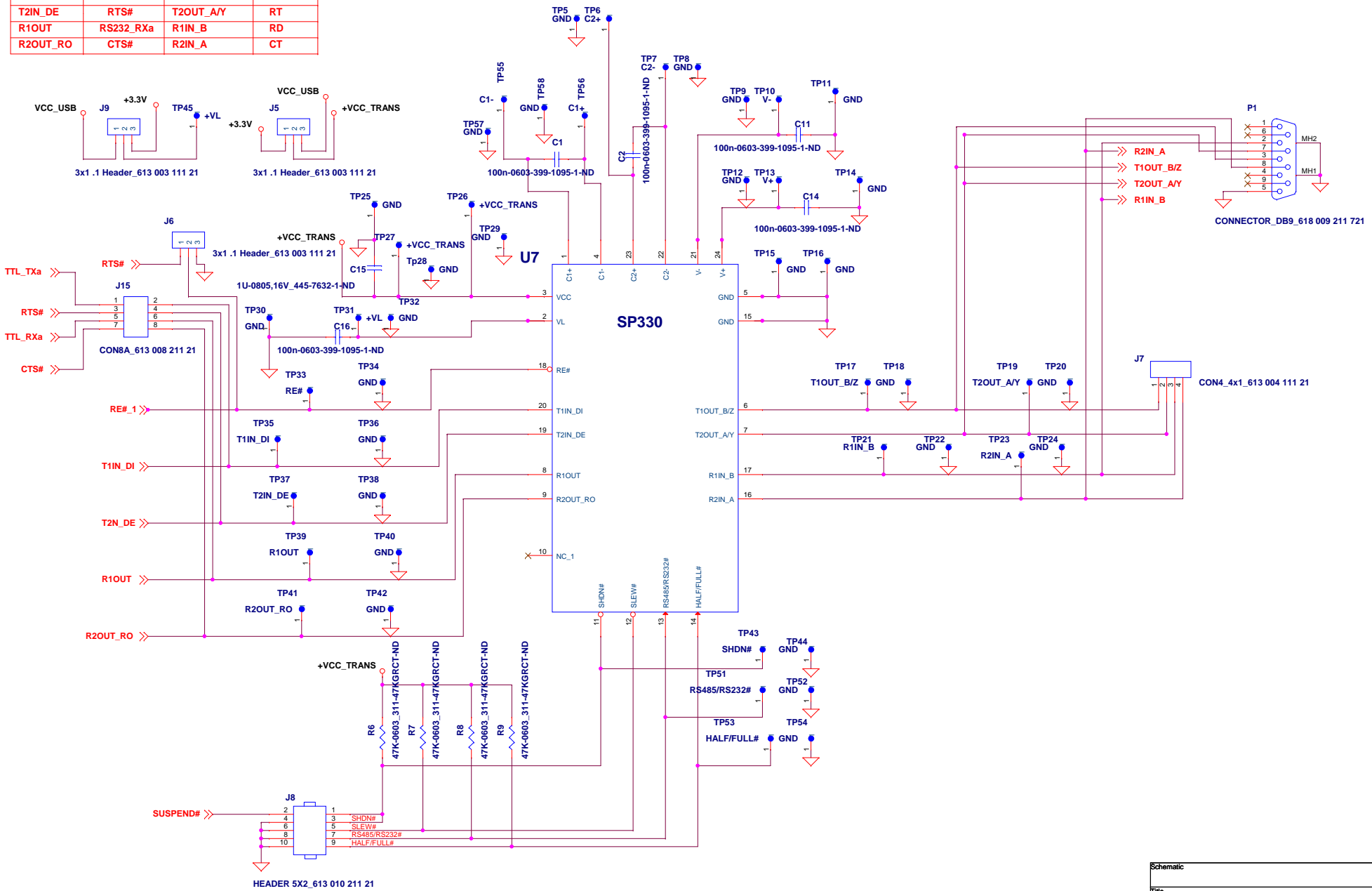
Push Button for generating Remote Wakeup Event

NOTES: - Rework, add wire from TP45 to TP31 (+VL)
- TRACE R1
- J2-1&2 Cut trace

Updated 2/4/2014

Title			
SP330 EVALUATION BOARD			
Size	Document Number	Rev	
Custom		POWER AND USB INTERFACE 1.0	
Date:	Tuesday, February 04, 2014	Sheet	1 of 2

T1IN_DI	TXD	T1OUT_B/Z	TD
T2IN_DE	RTS#	T2OUT_A/Y	RT
R1OUT	RS232_RXa	R1IN_B	RD
R2OUT_RO	CTS#	R2IN_A	CT



For USB operation, install J8-1&2 and leave J8-3&4 out

Schematic			
Title			
SP330 EVALUATION BOARD			Rev
Size	Document Number	1.0	
Custom	SP330 INTERFACE		
Date:	Tuesday, February 04, 2014	Sheet	2 of 2