

General Description

The MxL603 is a highly integrated, low power silicon tuner IC, that targets all global digital cable and terrestrial standards. The high performance MxL603 is fully compliant with the latest specifications for DVB-T and DVB-T2 (including Nordig 2.6 and DTG D-Book V10.0), ATSC A/74:2010, ATSC 3.0, ISDB-T 13-Segment, SBTVD-T(Brazil), DTMB (China) and cable (DOCSIS 2.0/3.0, J.83 Annex A/B/C) reception.

The MxL603 supports an input tuning range from 44MHz to 1002 MHz. A differential 75Ω RF input signal is filtered and converted to a programmable IF output up to 44 MHz. The AGC, LO generation, channel selection, and Loop-Through (LT) output functions are completely integrated on the chip, which simplifies board-level design. All functions of the IC can be controlled via an I²C interface. Driver integration with all commercially available third-party demodulators is made easy through the use of simple software APIs.

Immunity to LTE and WiFi interference is optimized and provides significant margin above industry requirements.

The high level of integration enables a very compact, cost-effective design with few external components, low BOM costs, and low power consumption.

The MxL603 is available in a 4 mm x 4 mm x 0.85mm³ 24-pin QFN package.

Applications

- Digital terrestrial receivers such as STBs, PVRs, and media gateways
- Digital cable applications such as STBs, cable modems, EMTAs, and cable DTAs

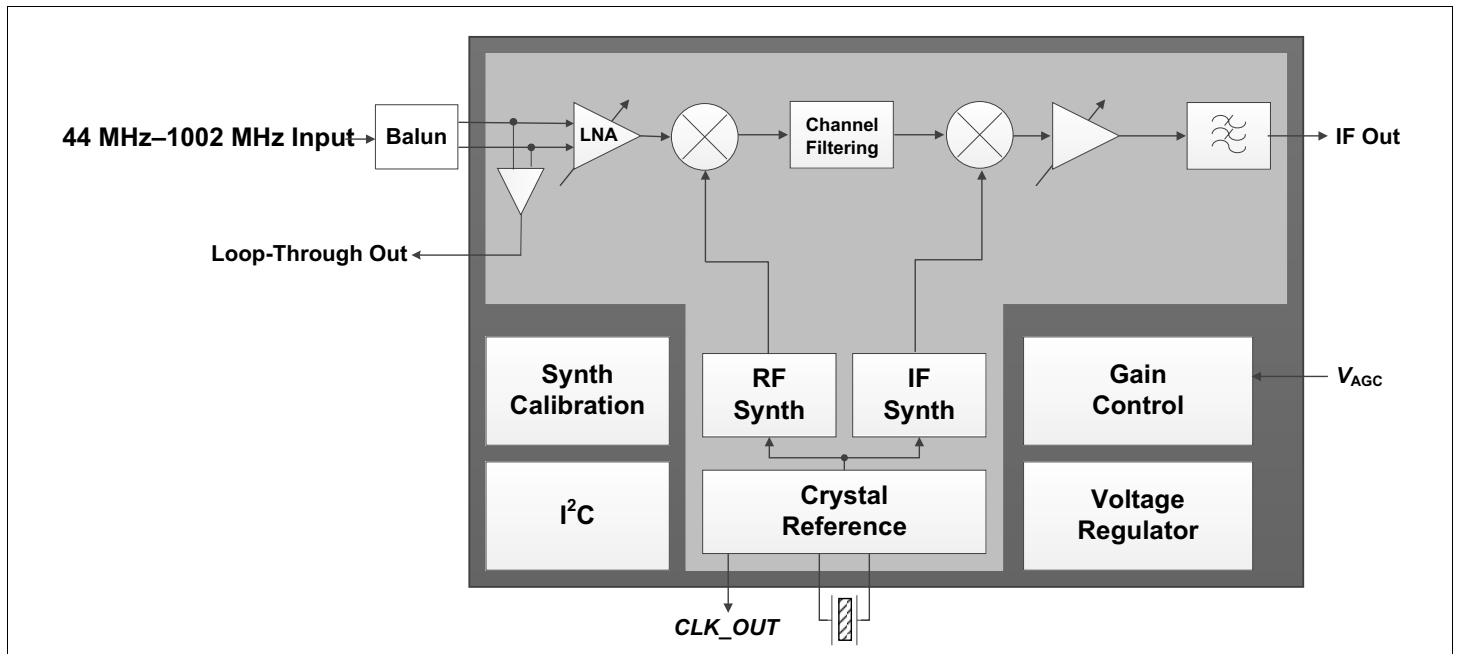
Features

- Tuning range from 44 MHz to 1002 MHz
- Integrated channel filtering requiring no external SAW filter
- Programmable channel bandwidths of 1.7 MHz, 5 MHz, 6 MHz, 7 MHz, and 8 MHz
- Low power consumption with 3.3V and 1.8V dual-supply operation—403 mW (digital terrestrial)
- On-chip voltage regulator enables single supply 3.3V operation
- Programmable IF frequency and IF spectrum inversion
- Reference clock output available for re-use by demodulators and additional tuners in multichannel applications
- On-chip RF LT
- High accuracy RSSI
- Excellent immunity to LTE and WiFi interference
- General purpose open-drain output GPO available for controlling off-chip circuitry
- Integrated on-chip programmable loading capacitors for the reference crystal
- I²C-compatible digital control interface
- RoHS compliant

Supported Standards

- DOCSIS/EuroDOCSIS 2.0, 3.0
- ITU-T J.83
 - Annex A (DVB-C)
 - Annex B (US Cable)
 - Annex C (Japan)
- DVB-C2 (ETSI EN 302 769)
- DVB-T and DVB-T2 (Nordig 2.6, DTG D-Book V10.0)
- ATSC A/74:2010, ATSC 3.0
- ISDB-T 13-Segment
- SBTVD-T (Brazil)
- DTMB (China)

Block Diagram



Ordering Information

Marketing Part Number	Ordering Part Number	Package	Dimension	Shipping
MxL603	MxL603-AG-T	SAWN QFN24	4 mm x 4 mm x 0.85 mm ³	Tray
MxL603	MxL603-AG-R	SAWN QFN24	4 mm x 4 mm x 0.85 mm ³	Tape and Reel



MaxLinear, Inc.
 5966 La Place Court, Suite 100
 Carlsbad, CA 92008
 760.692.0711 p.
 760.444.8598 f.
www.maxlinear.com

The content of this document is furnished for informational use only, is subject to change without notice, and should not be construed as a commitment by MaxLinear, Inc. MaxLinear, Inc. assumes no responsibility or liability for any errors or inaccuracies that may appear in the informational content contained in this guide. Complying with all applicable copyright laws is the responsibility of the user. Without limiting the rights under copyright, no part of this document may be reproduced into, stored in, or introduced into a retrieval system, or transmitted in any form or by any means (electronic, mechanical, photocopying, recording, or otherwise), or for any purpose, without the express written permission of MaxLinear, Inc.

MaxLinear, Inc. does not recommend the use of any of its products in life support applications where the failure or malfunction of the product can reasonably be expected to cause failure of the life support system or to significantly affect its safety or effectiveness. Products are not authorized for use in such applications unless MaxLinear, Inc. receives, in writing, assurances to its satisfaction that: (a) the risk of injury or damage has been minimized; (b) the user assumes all such risks; (c) potential liability of MaxLinear, Inc. is adequately protected under the circumstances.

MaxLinear, Inc. may have patents, patent applications, trademarks, copyrights, or other intellectual property rights covering subject matter in this document. Except as expressly provided in any written license agreement from MaxLinear, Inc., the furnishing of this document does not give you any license to these patents, trademarks, copyrights, or other intellectual property.

MaxLinear, the MaxLinear logo, and any MaxLinear trademarks, MxL, Full-Spectrum Capture, FSC, G.now, AirPHY and the MaxLinear logo are all on the products sold, are all trademarks of MaxLinear, Inc. or one of MaxLinear's subsidiaries in the U.S.A. and other countries. All rights reserved. Other company trademarks and product names appearing herein are the property of their respective owners.