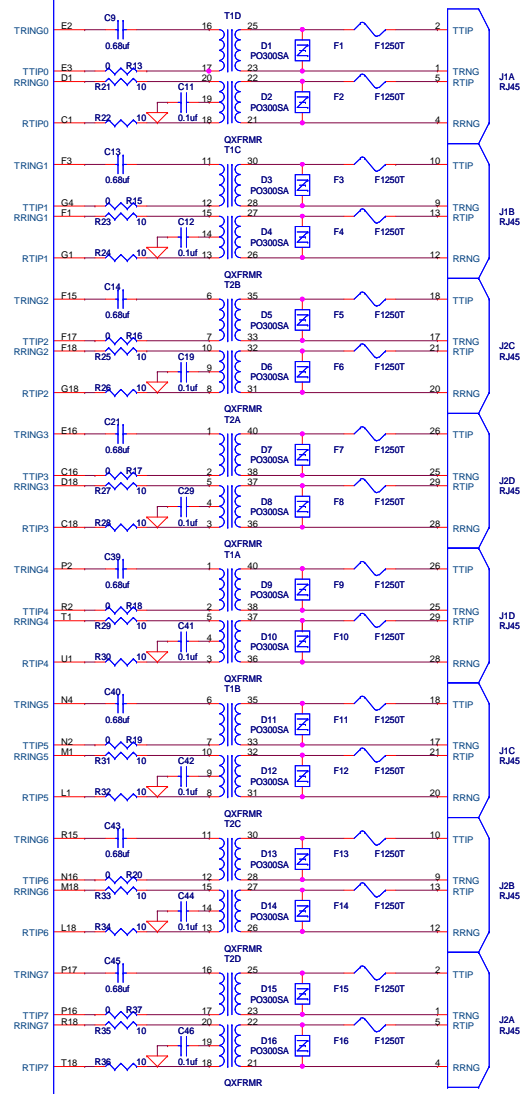
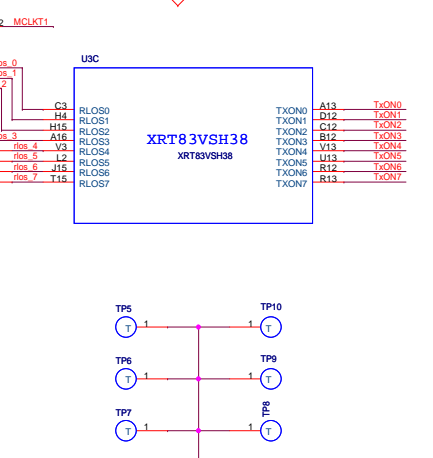
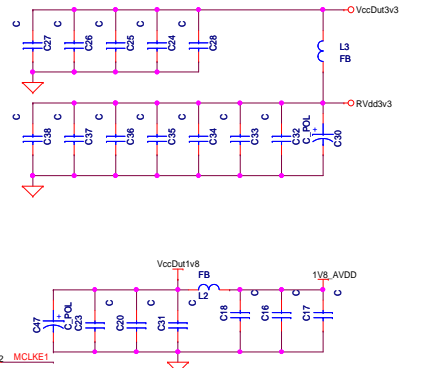
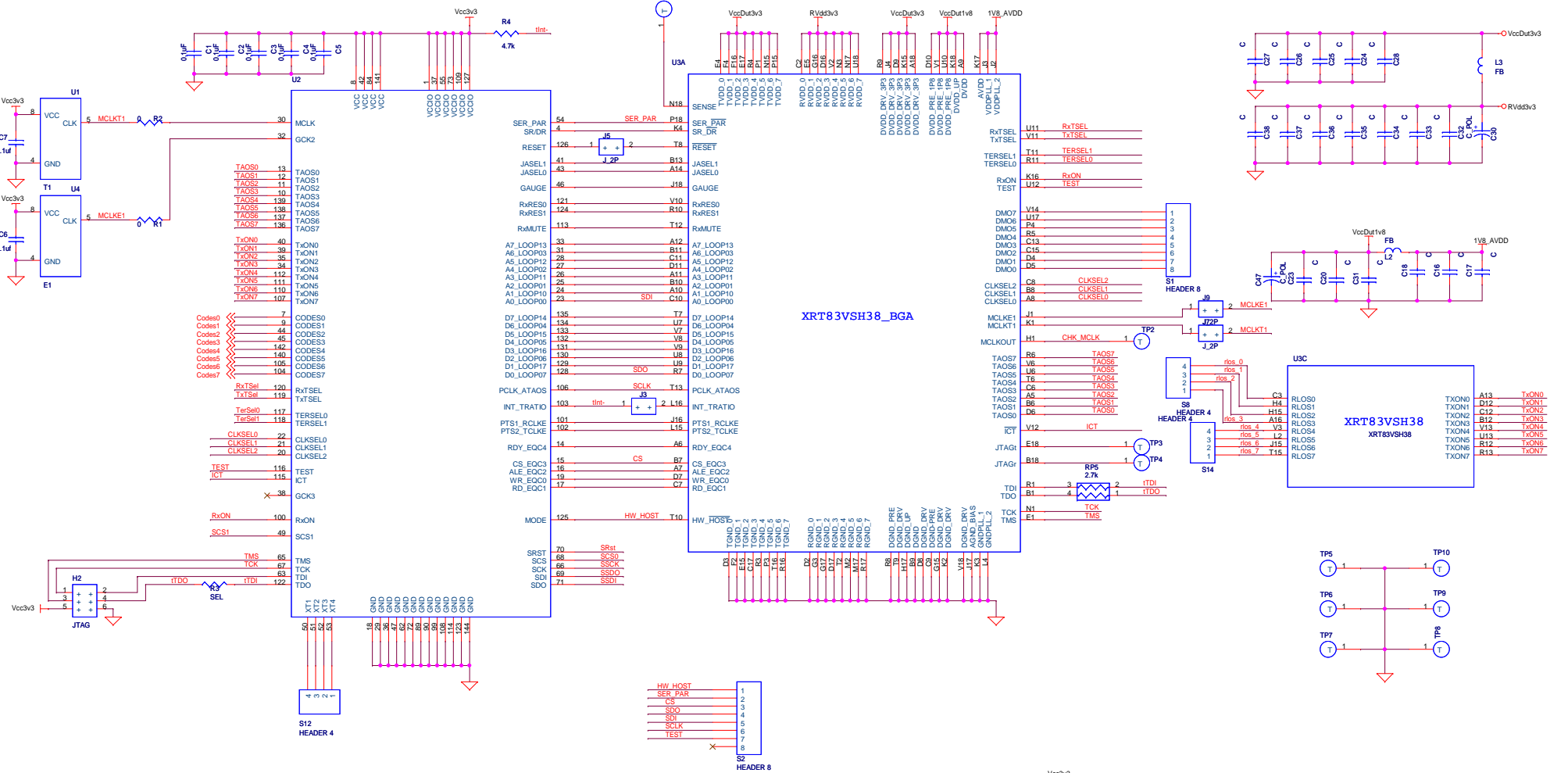


XRT83VSH38



File			<Title>
Size	Document Number	Rev	
C	<Doc>	0	
Date:	Wednesday, July 06, 2005	Sheet	1 of 1



Title			XRT83VSH38 EVB Schematic
Size	Document Number	Rev 0	
C	<Doc>		
Date:	Monday, July 11, 2005	Sheet	1 of 1